

HyperSpike[®] TCPA-10 Pole Mount Bands

P/N: 72377B-801

- 1) The HyperSpike[®] Wall Mount Bracket may be mounted to a pole using the two included metal bands. The bands are compatible with poles with diameters from 3.25 to 6.0 inches.
- 2) Feed one end of one band through one upper slot and back through the other upper slot. Feed the other band through the lower slots in the same way.
- 3) Wrap the bands around the pole and tighten the worm gears until secured as shown in the Figure below. Do not exceed 30 in-lbs.

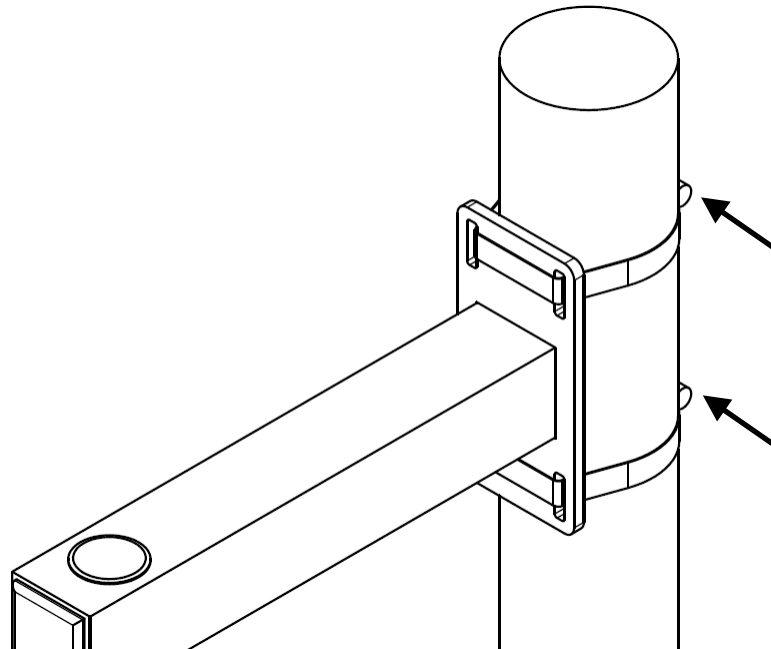


Figure 1: Tightening the pole mount bands



Ultra Electronics – USSI
4868 East Park 30 Drive
Columbia City, IN 46725 USA
+1-260-248-3666



HyperSpike[®] TCPA-10 Ceiling Mount Kit

P/N: 72377B-802

- 1) To hang a TCPA-10 system from the ceiling, use an optional Ceiling Mount Bracket. Attach the bracket to the TCPA-10 or two TCPA-10s with the dual mount plate using three ¼-20 bolts.
- 2) The Ceiling Mount Bracket accepts a male ¾ NPT male threaded conduit. Feed the TCPA-10 wires through the Hanging Mount Bracket and through the conduit.
- 3) Thread the conduit into the top of the Ceiling Mount Bracket and tighten the upper Phillips head screw as shown in the Figure below.

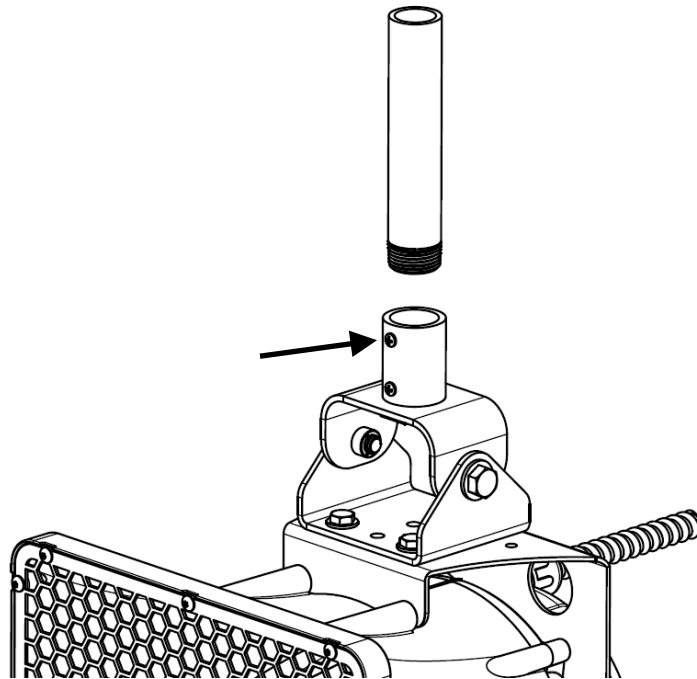


Figure 1: Attaching Ceiling Mount Bracket to threaded conduit



Ultra Electronics – USSI
4868 East Park 30 Drive
Columbia City, IN 46725 USA
+1-260-248-3666

