

## WMS Wall Mount with Junction Box



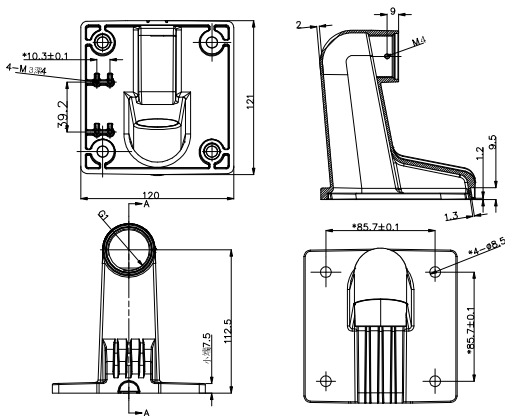
WMS	
Appearance	Hikvision white
Range of Application	Suitable for various pendant caps
Material	Aluminum alloy
Dimension	120 mm x 121 mm x 200 mm (4.72" x 4.76" 7.87")
Weight	1044 g (2.3 lbs)

- NOTES:**
- Pay attention to color matching.
  - Install bracket on flat wall.
  - The wall must be capable of supporting over three times as much as the total weight of the camera and the mount.
  - Maximum load capacity of bracket is 50 kg.

### Key Features

- Aluminum Alloy Material with Surface Spray Treatment
- Waterproof

### Dimensions



**NOTE:** The actual bracket may vary from the picture above.

### Order Model

WMS