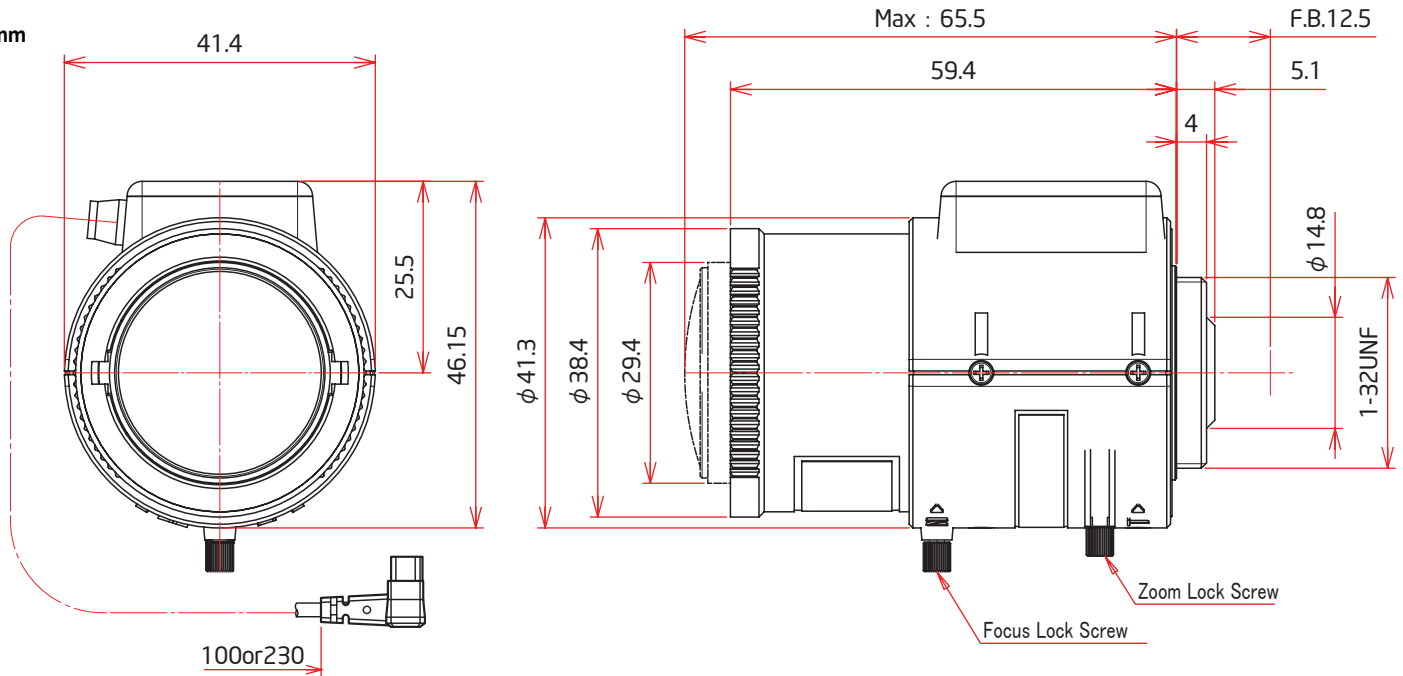


SPECIFICATIONS

Focal Length	2.8 - 12mm	Flange Back	12.5 mm
Maximum Relative Aperture	1:1.4 (With ND Spot Filter)	Operation	
Iris	F1.4 - Approx. 360	Focus	Manual
Zoom Ratio	4.3 X	Zoom	Manual
Angular Field of View	97.9° x 72.5° at 2.8 mm 25.0° x 18.8° at 12 mm	Iris	IG(Auto Close System)
Image Format	4.8 x 3.6mm (Ø6 mm)	Operation Temperature	- 10 °C ~ 50 °C / 14 °F ~ 122 °F
Minimum Object Distance	0.3 m (From Front Vertex)	Mount	CS-Mount (Adjustable Lens Position)
Optical Back Focal Distance	7.84 mm (In Air)	Front Thread	52mm P0.75
		Size, Weight	Ø41.3 x 46.15(W) x 41.4(H) x 59.4(D) mm, Approx. 70g

DIMENSIONS

UNIT: mm



CIRCUIT DIAGRAM

