

# UA-1

## Unistrut Adaptor

### Product Features:

Designed to adapt ceiling mounts to Unistrut

Works with all manufactures mounting systems when using 1.5" N.P.T. pipe

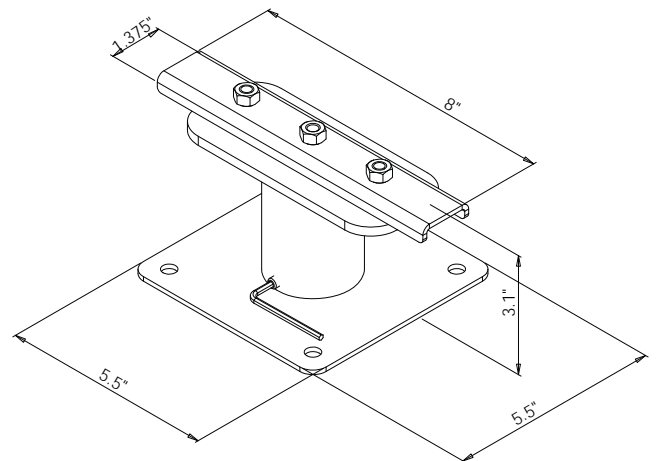
Will also work with ceiling masts provided with the VMP014/024, VMP036/038, PM Series, LCD-2537C and PDS-LC

Black powder coat finish

### Product Specifications:

*(for Architects & Engineers)*

The adaptor to attach a ceiling mount to Unistrut® shall be the Video Mount Products (VMP) UA-1. The adaptor shall work with all mount manufacturers' mounting systems when using 1.5" NPT pipe. The adaptor shall also work with the standard mast provided with the Video Mount Products (VMP) models VMP014/024, VMP036/038, PM Series, LCD-2537C and PDS-LC.



### Video Mount Products

345 Log Canoe Circle

Stevensville, MD 21666

Toll Free: 877.281.2169

Telephone: 410.643.6390

Facsimile: 410.643.6615

[www.videomount.com](http://www.videomount.com)

**VMP**  
VIDEO MOUNT PRODUCTS

