

TT-LCD20B

Flat Panel Turntables

Product Features:

Platform width 20" / depth 14"

Load capacity – 75 lbs

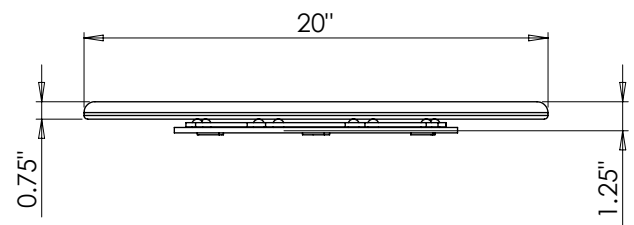
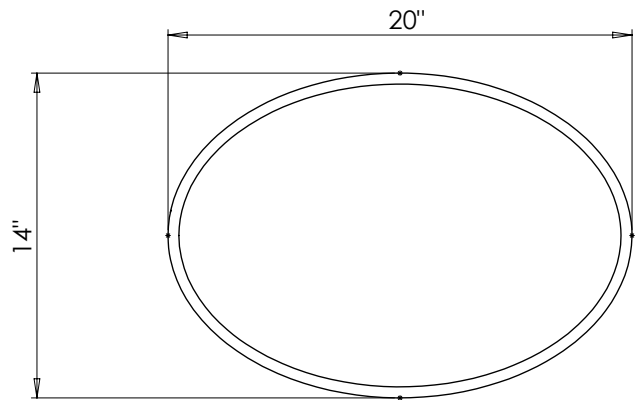
Black finish

Also available in silver (TT-LCD20S)

Product Specifications:

(for Architects & Engineers)

The turntable for flat panels and CRT televisions shall be the Video Mount Products (VMP) model TT-LCD20B. The turntable shall be made primarily made of MDF board. The turntable shall be capable turning 360 degrees. The turntable shall be capable of holding 75 lbs.



Video Mount Products

345 Log Canoe Circle

Stevensville, MD 21666

Toll Free: 877.281.2169

Telephone: 410.643.6390

Facsimile: 410.643.6615

www.videomount.com

VMP
VIDEO MOUNT PRODUCTS