

# MODELS TS-2, TS-2-2, TS-3, TS-3-2


## REQUEST TO EXIT STATIONS



**TS-2  
TS-2-2**



**TS-3  
TS-3-2**

- TS-2, TS-3 are SPDT
- TS-2-2, TS-3-2 are DPDT
- Large LED Illuminated Green Button Operates on 12 or 24 Volts AC or DC
- Momentary Action Switch
- Contacts rated 10A @ 35VDC
- Switch mounted on a single gang stainless steel electrical plate
- Conforms to UL Standard 294 for Access Control, File Number SA32686 
- TS-3, TS-3-2: 1/2" Red LED Operates on 12 or 24 Volts AC or DC



*Alarm Controls*  
19 Brandywine Drive  
Deer Park, New York 11729  
(800) 645-5538  
[www.alarmcontrols.com](http://www.alarmcontrols.com)

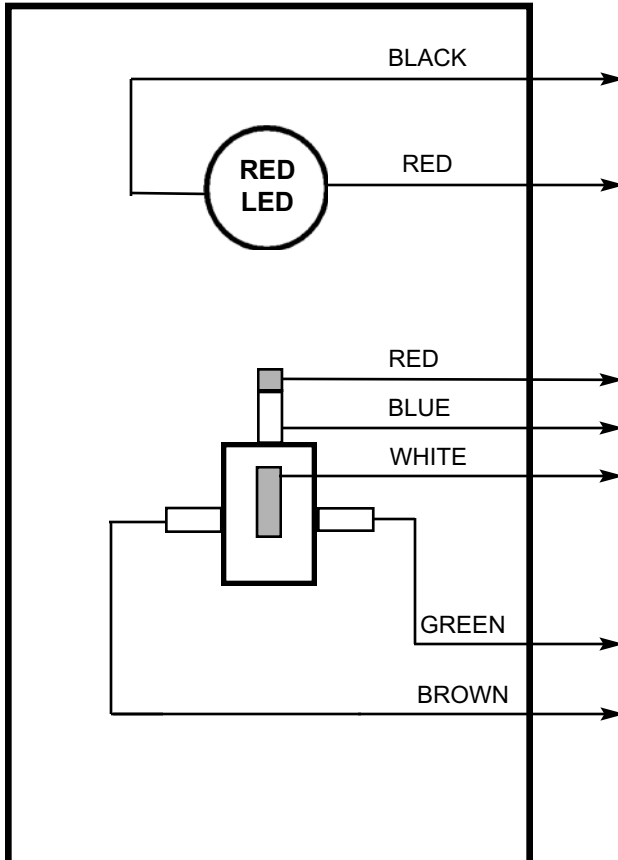
**ASSA ABLOY, the global leader  
in door opening solutions**

# INSTALLATION INSTRUCTIONS MODELS TS-2, TS-3, TS-4, TS-5



U.L. FILE SA32686 CONFORMS TO U.L. STANDARD 294 FOR ACCESS CONTROL

## REAR VIEW OF PLATE



**RED LED 12/24 VOLTS DC**  
*RED LED ONLY ON TS-3, TS-5*  
*LED CURRENT RATING*  
 9 MA. @ 12 VDC, 19 MA. @ 24 VDC  
**NEGATIVE ( BLACK ) LEAD**  
**POSITIVE ( RED ) LEAD**

**SWITCH CONTACTS**  
*RATED 2A. @ 12 - 28 VDC*  
**N/C ( RED ) LEAD LOWER LUG**  
**N/O ( BLUE ) LEAD UPPER LUG**  
**COM ( WHITE ) LEAD TOP LUG**

**INTERNAL LED**  
**LED ( GREEN ) NEGATIVE LEAD**  
*LED WILL OPERATE ON 12/24 VDC*  
**LED ( BROWN ) POSITIVE LEAD**

**LED CURRENT DRAW**  
 4 MA. @ 12 VDC  
 15 MA. @ 24VDC  
**LED OPERATES ON 12/24 VDC**

**MOUNT WALLPLATE IN A VERTICAL POSITION**  
 MODELS TS-2, TS-3, TS-4 & TS-5 SHOULD BE MOUNTED IN A 2.5 INCH DEEP ELECTRICAL BOX



**19 BRANDYWINE DRIVE  
DEER PARK, NY 11729**

**PH: 1 800 645-5538 1 631 586-4220 FAX : 1 631 586-6500**  
**WWW.ALARMCONTROLS.COM EMAIL: INFO@ALARMCONTROLS.COM**

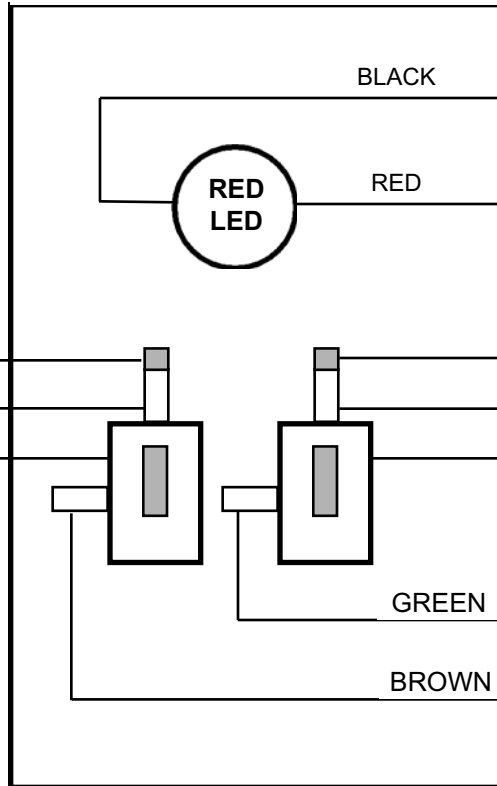
# INSTALLATION INSTRUCTIONS

## MODELS TS-2-2, TS-3-2, TS-4-2, TS-5-2



U.L. FILE SA32686 CONFORMS TO U.L. STANDARD 294 FOR ACCESS CONTROL

### REAR VIEW OF PLATE



RED LED 12/24 VOLTS DC  
 RED LED ONLY ON TS-3, TS-5  
 LED CURRENT RATING  
 9 MA. @ 12 VDC, 19 MA. @ 24  
 NEGATIVE ( BLACK ) LEAD  
 POSITIVE ( RED ) LEAD

SWITCH 1 CONTACTS  
 RATED 2A. @ 12 - 28 VDC  
 N/C ( RED ) LEAD LOWER LUG  
 N/O ( BLUE ) LEAD UPPER LUG  
 COM ( WHITE ) LEAD TOP LUG

INTERNAL LED  
 LED ( GREEN ) NEG. LEAD  
 LED ( BROWN ) POS. LEAD

SWITCH 2 CONTACTS  
 RATED 2A. @ 12 - 28 VDC  
 ( RED ) LEAD LOWER LUG N/C  
 ( BLUE ) LEAD UPPER LUG N/O  
 ( WHITE ) LEAD TOP LUG COM

**MOUNT WALLPLATE IN A VERTICAL POSITION**  
 MODELS TS-2-2, TS-3-2,  
 TS-4-2 & TS-5-2  
 SHOULD BE MOUNTED IN A  
 2.5 INCH ELECTRICAL BOX

LED CURRENT DRAW  
 4 MA. @ 12 VDC  
 15 MA. @ 24 VDC  
 LED OPERATES ON 12/24 VDC



**ASSA ABLOY**

**19 BRANDYWINE DRIVE  
 DEER PARK, NY 11729**

PH: 1 800 645-5538 1 631 586-4220 FAX : 1 631 586-6500  
 WWW.ALARMCONTROLS.COM EMAIL: INFO@ALARMCONTROLS.COM