

STI Select-Alert



STI-SA5000-R and
SUB-SA504



THIS CONTROLLER HELPS STOP UNAUTHORIZED USE OF IMPORTANT DEVICES

Here is a highly effective way to alert you to any unauthorized use, theft or vandalism of important devices, as well as unauthorized exits and entries. The combination of alarm and super bright flashing LEDs offers excellent protection for an array of circumstances as they draw attention in a hurry. Select-Alert allows you to choose its function and can be used as a cabinet alarm, door/exit alarm, flashing light linked with a push button/switch, tornado siren, burglar alarm or an alert for many types of emergency situations. Patent pending.

HOW IT WORKS

When installed as a cabinet or door alarm, with the optional reed switch and magnet, Select-Alert emits an ear piercing siren and the LEDs flash when the protected unit is opened. The alarm and strobe have independent timing choices of: 15 seconds, 30 seconds, 60 seconds or continuous and the alarm has an option of 32 tones. Can be powered by a 9 VDC battery or external 12 - 24 volts. Flush or surface mount Select-Alert is available in amber, green, blue, red or white.

FEATURES

- Can be used as a cabinet alarm, door alarm, link with push button/switch or as a burglar alarm.
- Available with amber, green, blue, red or white lens.
- Alarm offers 32 tones.
- May be set for a piercing 100 dB alarm or a softer 85 dB.
- One Form "C" dry relay contact output.
- Includes a tamper switch which prevents it from being removed from a wall.
- Low battery indicator.
- Durable, polycarbonate construction.
- Includes ten high intensity LEDs.
- Powered by a 9 VDC battery (not included) or external 12 – 24 volts.
- For indoor use only.
- Typical working properties of polycarbonate are -40° to 250°F (-40° to 121°C).
- Three year guarantee against breakage of polycarbonate in normal use (one year on electro mechanical and electronic components).

STI Select-Alert

Dimensions and Technical Information

MODELS AVAILABLE

STI-SA5000-A	Amber
STI-SA5000-B	Blue
STI-SA5000-G	Green
STI-SA5000-R	Red
STI-SA5000-W	White

Accessories

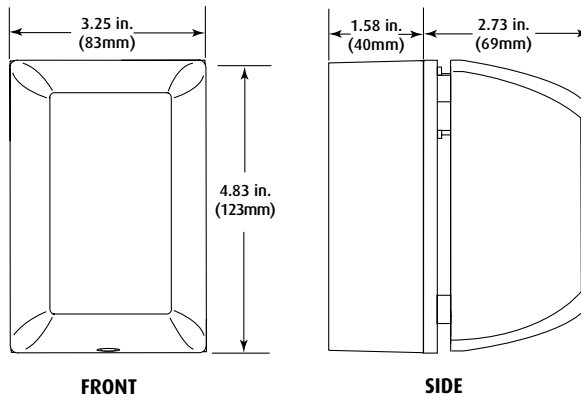
SUB-SA504	Backbox kit
18075	Replacement key for Select-Alert alarm
18151	Open circuit reed switch and magnet
SUB-SA505	Key switch mounting bracket (includes key switch)
BAT-9VDC	9 volt battery

WARRANTY

Three year guarantee against breakage of polycarbonate in normal use (one year on electro mechanical and electronic components).

SPECIFICATIONS

Operating voltage	Internal 9 VDC battery (not included) Remote power 12-24 VDC
Power consumption	Stand by: 50µA Siren low volume: 85mA Siren high volume: 90mA Strobe: 25mA
Siren Volume	Low: 85 dB High: 100 dB
Alarm and Strobe Timing	Independent control for siren and strobe: 15s, 30s, 60s, continuous
Low Battery Warning	LEDs flash once every 30 seconds
Form C dry contacts	0-30VAC/DC, 1 Amp Contacts reset after longest alarm setting Alarm on: normally closed
Key Switch	
Alarm Circuit	Open circuit (close goes to alarm)
Alarm Tone	32 selectable sounds



**Safety Technology
International, Inc.**

2306 Airport Road
Waterford, Michigan
48327, USA

Tel: 248-673-9898
Fax: 248-673-1246
Tollfree: 800-888-4784
info@sti-usa.com
www.sti-usa.com

Unit 49G Pipers Road
Park Farm Industrial Estate
Redditch, Worcestershire
B98 0HU England

Tel: 44 (0) 1527 520 999
Fax: 44 (0) 1527 501 999
Free: 0800 085 1678 (UK)
www.sti-europe.com