

STI Protective Cabinets



STI-7520



STI-7530 with Key Lock



STI-7550

FEATURES

- Clear UV-stabilized polycarbonate cover.
- Typical working properties of polycarbonate are -40° to 250°F (-40° to 121°C).
- Includes thumb lock or key lock.
- Steel internal mounting plate provided.
- Design allows visibility at any angle.
- External mounting tabs.
- Complete with mounting hardware and gasket.
- Additional eyelet can be used for secondary padlock or safety seal.
- Models available with or without siren alarm or siren/strobe alarm (see separate spec sheets for specific details. For siren alarm only, see STI-6400. For siren/strobe alarm see STI-SA5000).
- Tamperproof mounting screws available.
- Three year guarantee against breakage of polycarbonate in normal use (one year on electro mechanical and electronic components).

STI-7520 Cabinet Series

- Frosted polycarbonate backbox.
- Type 4X Approved, UL Listed.

STI-7530 Cabinet Series

- Internal drill dimples.
- Optional adjustable wire shelf available.

STI-7550 Cabinet Series

- Two rotary action latches.
- Optional wire shelf available.
- Type 4X Approved, UL Listed.

PRODUCT OVERVIEW

Multipurpose lockable cabinets for remote annunciators, fire alarm control panels or other electronic products which require physical or environmental protection. Helps guard against vandalism (accidental or intentional), as well as dirt, dust and grime (models without alarm). Covers mount on the wall enabling the unit to be stored in a central location. The cabinets are available with a key or thumb lock, with or without siren alarm or siren/strobe alarm. They also have an additional eyelet for a secondary lock or safety seal.

HOW THEY WORK

Cabinets are constructed of a clear polycarbonate which allows the unit within to be highly visible and accessible. When cabinet with siren alarm is opened, the alarm emits an ear piercing siren (model with siren/strobe alarm also flashes), drawing immediate attention to the area. Operator has to unlock the unit and open the lid for access.

STI Protective Cabinets

Dimensions and Technical Information

MODELS AVAILABLE

STI-7520	Type 4X Cabinet with key lock - clear
STI-7521	Type 4X Cabinet with thumb lock - clear
STI-7522	Cabinet with key lock and siren alarm - clear
STI-7523	Cabinet with thumb lock and siren alarm - clear
STI-7524	Cabinet with key lock and siren/strobe alarm - clear
STI-7525	Cabinet with thumb lock and siren/strobe alarm - clear
STI-7530	Cabinet with key lock - clear
STI-7531	Cabinet with thumb lock - clear
STI-7532	Cabinet with key lock and siren alarm - clear
STI-7533	Cabinet with thumb lock and siren alarm - clear
STI-7534	Cabinet with key lock and siren/strobe alarm - clear
STI-7535	Cabinet with thumb lock and siren/strobe alarm - clear
STI-7550	Cabinet with key lock - clear
STI-7551	Cabinet with thumb lock - clear
STI-7552	Cabinet with key lock and siren alarm - clear
STI-7553	Cabinet with thumb lock and siren alarm - clear
STI-7554	Cabinet with key lock and siren/strobe alarm - clear
STI-7555	Cabinet with thumb lock and siren/strobe alarm - clear

Accessories

STI-6453	Replacement siren alarm
05000	Replacement siren/strobe alarm
07530WR	Wire shelf for STI-7530 series
07550WR	Wire shelf for STI-7550 series
18021	Type 4X 3/4" rigid conduit hub (not for use with STI-7530 series)
18054	Additional key #CH751
18075	Replacement key for siren/strobe alarm
19032	Replacement key #2341 for siren alarm
SUB-82	#8 x 1.5" snake eye tamper resistant stainless steel screw (qty. 4)
19038	Snake eye bit

APPROVALS & WARRANTY

TESTING

STI-7520 and STI-7521 have been tested and approved or listed by:

- UL and cUL S7255
- Type 4X Certified
- Tested to UL38, UL50 and UL2017

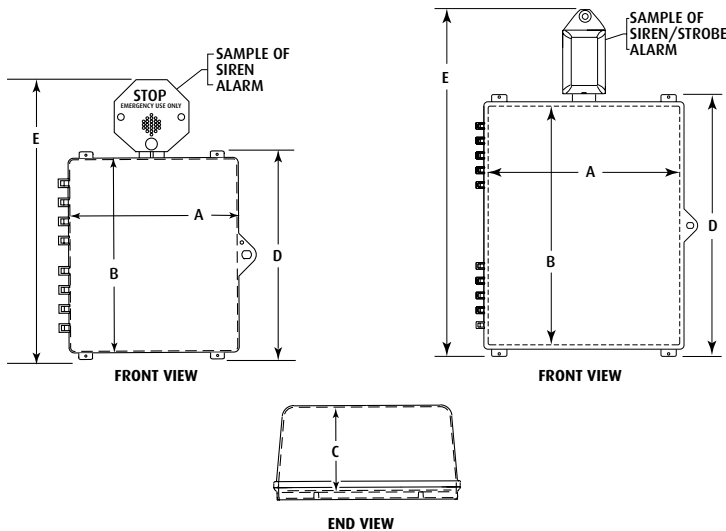
STI-7550 and STI-7551 have been tested and approved or listed by:

- UL S7255
- Type 4X Certified

WARRANTY

Three year guarantee against breakage of polycarbonate in normal use (one year on electro mechanical and electronic components).

	A	B	C	D	E
STI-7520/7521					N/A
STI-7522/7523	8.875 in. (225mm)	10.875 in. (276mm)	3.625 in. (92mm)	12 in. (305mm)	19 in. (483mm)
STI-7524/7525					19.46 in. (494.34mm)
STI-7530/7531	12.2 in. (310mm)	14.2 in. (361mm)	6.44 in. (164mm)	16.5 in. (419mm)	N/A
STI-7532/7533					23 in. (584mm)
STI-7534/7535					23.5 in. (597mm)
STI-7550-7551	19.75 in. (502mm)	24.75 in. (629mm)	7.31 in. (186mm)	27.5 in. (699mm)	N/A
STI-7552/7553					34.7 in. (881mm)
STI-7554/7555					35 in. (889mm)



Safety Technology International, Inc.

2306 Airport Road
Waterford, Michigan
48327, USA

Tel: 248-673-9898
Fax: 248-673-1246
Tollfree: 800-888-4784
info@sti-usa.com
www.sti-usa.com

Unit 49G Pipers Road
Park Farm Industrial Estate
Redditch, Worcestershire
B98 0HU England

Tel: 44 (0) 1527 520 999
Fax: 44 (0) 1527 501 999
Free: 0800 085 1678 (UK)
www.sti-europe.com