

SSPKCLP Series

Ceiling Mount Speaker/Strobe and Universal Mount Speaker

12 units per carton, 17 pounds per carton

Applications

The Gentex SSPK24CLP is a ceiling mount, selectable candela speaker/strobe and the SSPKCLP is a universal mount speaker designed to meet code requirements for audio, visual and voice communications. The SSPKCLP Series are quality speaker products offering both dependable evacuation signaling and visual alarms, or a combination of both.

The high output tamperproof candela selections are 15, 30, 75, 95 and 115. The unit can be mounted in a 4" square x 2-1/8" deep back box, an extension ring is not needed. The SSPKCLP Series provides a 25 or 70.7 VRMS speaker with field selectable power taps of 1/8W, 1/4W, 1/2W, 1W, 2W or 4W.

The SSPKCLP devices are listed to ANSI/UL 1480, ANSI/UL 1971, ANSI/UL 2043 and CAN/ULC S526 and/or CAN/ULC S541 and warranted for 3 years from the date of purchase.

Standard Features

- Speaker/strobe nominal voltage 24 VDC
- 24VDC field selectable candelas: candela options of 15, 30, 75, 95 & 115
- Speaker/strobe unit dimension: 6.1" (15.494 cm) square x 4.29" (10.9 cm) deep
- Speaker unit dimensions: 6.1" (15.494 cm) square x 2.95" (7.5 cm) deep
- Speaker voltage 25 or 70.7 VRMs standard, field selectable
- Field selectable power taps: 1/8W, 1/4W, 1/2W, 1W, 2W, 4W
- High quality dBA output (intelligible)
- Frequency range 400-4000 Hz
- Screw terminals, separate in/out wiring (12-18 gauge)
- Mount to a standard 4" x 2-1/8" deep back box
- Synchronize use the Gentex AVSM Control Module
- Tamperproof grill
- Faceplate available in red or off-white
- Ceiling mount speaker/strobe
- Universal mount speaker



Product Listings

SIGNALING

 LISTED



- ANSI/UL 1480, ANSI/UL 1971 and ANSI/UL 2043 Listed
- CAN/ULC S526 and/or CAN/ULC S541 Listed
- CSFM: 7320-0569:0137
- MEA: 580-06-E Vol. 3

Product Compliance

- Americans with Disabilities Act (ADA)
- NFPA 72
- IBC/IFC/IRC
- Quality Management System is certified to: ISO 9001:2008

SSPKCLP Speaker and SSPK24CLP Speaker/Strobes

Model Number	Part Number	Lettering
SSPKCLPR - Speaker	904-1445-002	
SSPKCLPW - Speaker	904-1446-002	
SSPK24CLPR	904-1441-002	FIRE Text
SSPK24CLPW	904-1443-002	FIRE Text
SSPK24CLPAR	904-1452-002	ALERT Text
SSPK24CLPAW	904-1453-002	ALERT Text

R = Red Faceplate, W = White Faceplate

A = ALERT text (speaker/strobe only)

All units are available in plain (no lettering)
 Plain units are not returnable

SSPK24CLP Strobe Current Ratings (mA)

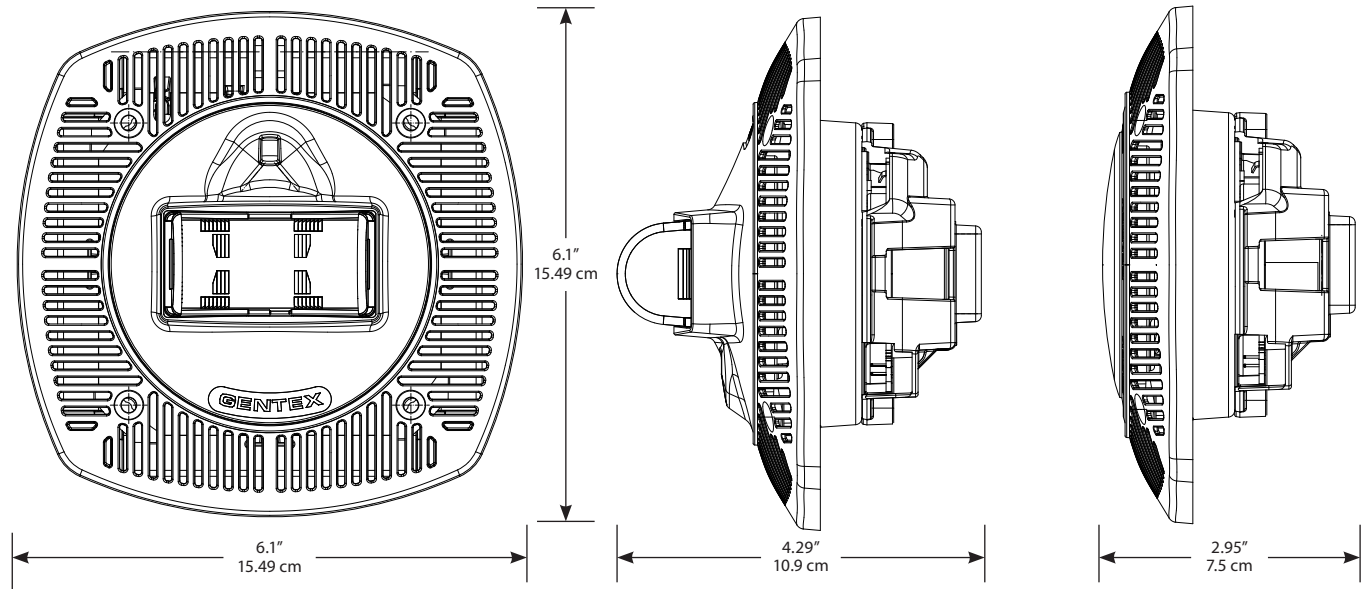
Candela	24 VDC (16-33 Volts)	
	24 VDC	UL Max
15	72 mA	120 mA
30	101 mA	120 mA
75	167 mA	200 mA
95	200 mA	220 mA
115	214 mA	290 mA

Speaker dBA @ 10 ft.

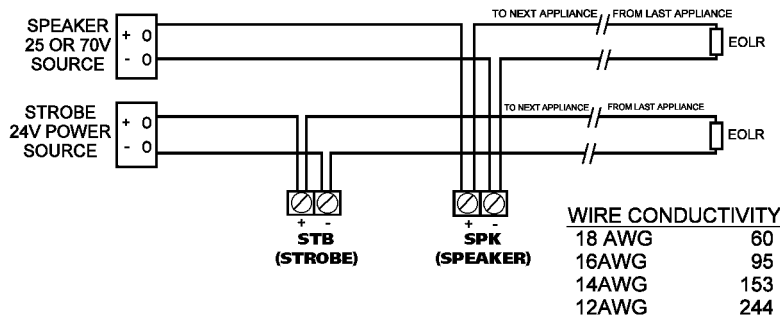
Input Watts	25 Volts	70.7 Volts
1/8	74.6 dBA	73.7 dBA
1/4	77.7 dBA	76.7 dBA
1/2	80.5 dBA	79.6 dBA
1	83.1 dBA	82.5 dBA
2	85.6 dBA	85.4 dBA
4	87.9 dBA	87.9 dBA

SSPKCLP Series

Ceiling Mount Speaker/Strobe and Universal Mount Speaker



Wiring Diagram



* MAX. WIRE DISTANCE (IN FEET) = $\frac{\text{PANEL VOLTAGE} - \text{DEVICE MINIMUM VOLTAGE}}{\text{TOTAL CURRENT DRAW}} \times \text{WIRE CONDUCTIVITY (STROBE ONLY)}$

Notes

- Operating temperature: 32° to 120°F (0° to 49°C)
- The SSPKCLP Series is not listed for outdoor use
- For nominal and peak current across ANSI/UL regulated voltage range for filtered DC power and unfiltered (FWR [Full Wave Rectified]) power, see installation manual
- This appliance is not recommended for use on coded or pulsing signaling circuits

Architect & Engineering Specifications

The fire alarm speaker shall be Gentex SSPK24CLP or approved equivalent and shall be listed by Underwriters Laboratories, Inc. (ANSI/UL) per ANSI/UL 1638, ANSI/UL 1971, ANSI/UL 1480 and with CAN/ULC S526 and/or CAN/ULC S541 Listed. The speaker shall be capable of producing alarm tones or voice on all 25 or 70.7 VRMs audio systems. The speaker shall provide incremental tap settings of 1/8, 1/4, 1/2, 1, 2 or 4 watts. Minimum dBA rating at 1/4 watt shall be 76.7 dBA at 70.7 volts and a minimum dBA rating at 4 watts shall be 87.9 dBA at 70.7 volts. Tap settings shall be adjustable with field selectable jumper pins. The speaker also has a visual signal with an operating current of 120 mA or less at 24 VDC for the 15 Cd strobe circuit. The strobe appliance shall have an input voltage range of 16-33 volts with either direct current or full wave rectified power for 24 volt models. The visual signal shall have a 1 Hz flash rate regardless of input voltage. All field wiring connections shall be made via separate in-out terminal connections. The SSPK24CLP shall be mounted on the ceiling.

GENTEX
CORPORATION

Fire Protection Products Group | 10985 Chicago Drive | Zeeland, MI 49464
gentex.com | Phone: 616.392.7195 | Toll-free: 800.436.8391 | Fax: 616.392.4219

551-0065-05

Important Notice: These materials have been prepared by Gentex Corporation ("Gentex") for informational purposes only, are necessarily summary, and are not purported to serve as legal advice and should not be used as such. Gentex makes no representations and warranties, express or implied, that these materials are complete and accurate, up-to-date, or in compliance with all relevant local, state and federal laws, regulations and rules. The materials do not address all legal considerations as there is inevitable uncertainty regarding interpretation of laws, regulations and rules and the application of such laws, regulations and rules to particular fact patterns. Each person's activities can differently affect the obligations that exist under applicable laws, regulations or rules. Therefore, these materials should be used only for informational purposes and should not be used as a substitute for seeking professional legal advice. Gentex will not be responsible for any action or failure to act in reliance upon the information contained in this material. Gentex Corporation reserves the right to make changes to the product data sheet at their discretion.