

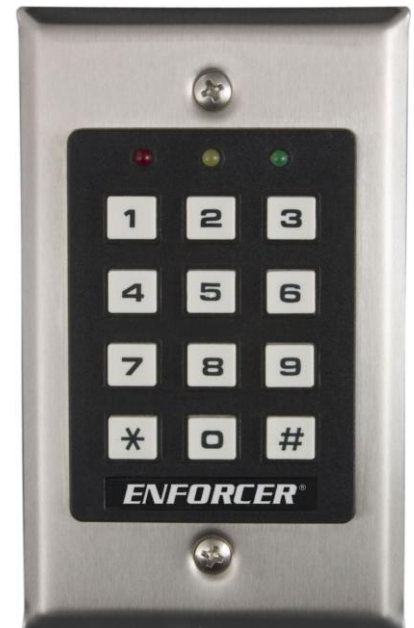
Indoor Access Control Keypad

SK-1011-SDQ

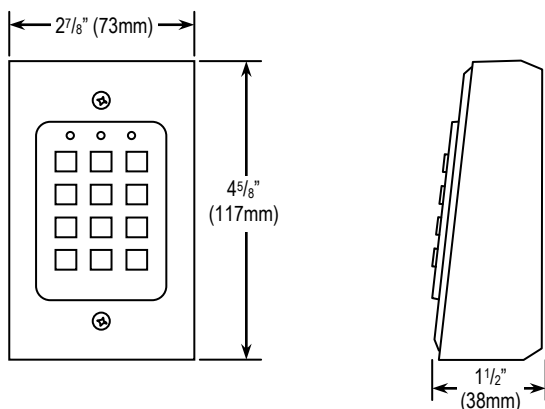
1,000 Users, 1 relay

Features:

- 1,000 Users. Codes may be 4~8 digits:
 - Output – Form C relay, 1A@30VDC, 1,000 users
- Output can be programmed to activate for up to 99,999 seconds (nearly 28 hours)
- Super user code gives admin access to keypad
- Up to 50 (01~50) possible temporary visitor codes, which can be programmed for one-time or limited-time use (1~99 hours)
- Programmable egress input with optional warning alarm and delayed egress
- Real-time clock to auto-disable access at specific times
- Up to 50 (01~50) duress codes
- 12~24 VDC/VAC Auto-adjusting operation
- All features are programmed directly from the keypad: No need for an external programmer
- Indoor keypad
- Mounts to a standard single-gang back box (surface-mount back box included)
- Durable and attractive stainless steel faceplate
- Tamper output: N.C. Dry contact, 50mA@24VDC max.



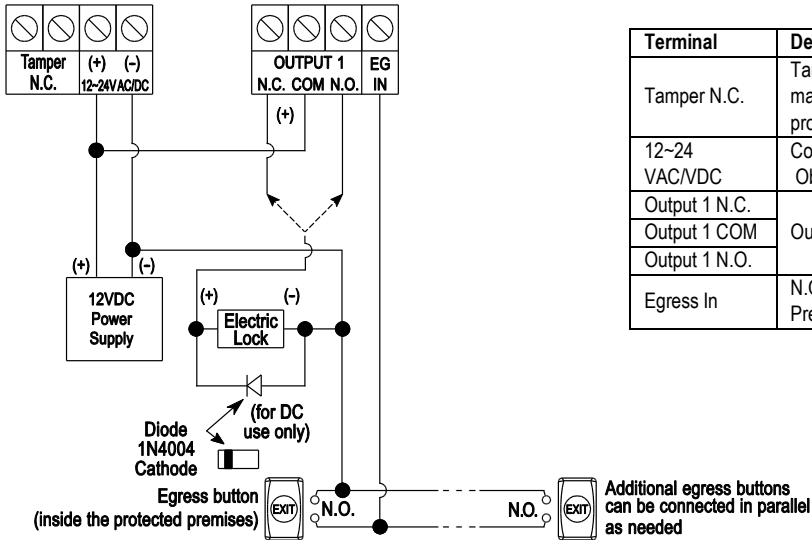
Dimensions:



Specifications:

Operating voltage	12~24 VDC/VAC	
Current draw (at 12VDC)	Standby	15mA
	Keypress	30mA
	Output 1 active	55mA
	Total max current draw	90mA
Output	#1 – Form C	1A@30VDC
	Tamper	50mA@24VDC
Egress input	N.O. Ground	
Operating temperature	-4°~158° F (-20°~70° C)	
Operating humidity	5~95% Non-condensing	
Dimensions (including back box)	4 5/8" x 2 7/8" x 1 1/2" (117x73x38 mm)	
Weight	6-oz (170g)	

Quick Sample Wiring:



Connection Terminals:

Terminal	Description
Tamper N.C.	Tamper switch output, N.C. contact, max.50mA@24VDC. Connect to the N.C. 24-hour protection zone of an alarm if needed.
12-24 VAC/VDC	Connect to a 12-24 VAC/VDC power supply. Observe polarity.
Output 1 N.C.	Output. NO/NC/COM, relay output, max. 1A@30VDC
Output 1 COM	
Output 1 N.O.	
Egress In	N.O. Pushbutton contact to ground. Press button to initiate door unlock output

Status Buzzer and LEDs:

Red LED

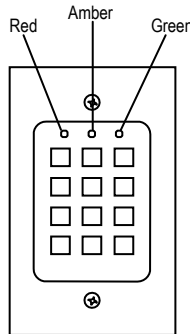
Illuminates when the door lock input has been inhibited.

Amber LED

Flashes to show the keypad status (see chart).

Green LED

Illuminates when any output is activated.



LED Indicators

	Red LED (Left)	Amber LED (Center)	Green LED (right)
Steady	Output inhibited	Programming mode	Output activated
Flashing	Output inhibit paused	Standby mode	-

Keypad Sounds and Amber LED

STATUS	BUZZER TONES	AMBER LED FLASHES
In programming mode	---	ON
Successful key entry	1 Beep	2 Flashes
Successful code entry	2 Beeps	2 Flashes
Unsuccessful code entry	5 Beeps	5 Flashes
DAP Jumper not replaced	Continuous beeps	Continuous flashes
In standby mode	---	1 Flash in 2-second intervals
Output relay active	1-Second beep	---

Also Available from SECO-LARM:

SK-1131-SPQ

Illuminated Indoor Keypad

- Proximity reader
- Backlit keys
- 1,200 Users
- 2 Relay



SK-1123-SQ

Surface-Mount Outdoor Access Keypad

- Weatherproof
- 110 Users
- 2 Relays
- Surface-mount



SK-2323-SDQ

Mullion-Style Keypad

- Weatherproof
- 1,010 Users
- 2 Relays
- Proximity reader available



SK-1323-SDQ

Sealed-Housing Keypad

- Weatherproof
- 1,010 Users
- 2 Relays
- Proximity reader available



SK-1123-FDQ

Flush-Mount Outdoor Access Keypad

- Weatherproof
- 1,000 Users
- 2 Relays
- Flush-mount



Proximity Cards or Keyfobs

(Sold in packs of 10)



PR-K1S1-A

PR-K1K1-AQ

SECO-LARM® U.S.A., Inc.

16842 Millikan Avenue, Irvine, CA 92606

Phone: (949) 261-2999 | (800) 662-0800 Fax: (949) 261-7326

Website: www.seco-larm.com Email: sales@seco-larm.com



Copyright 2015 © SECO-LARM U.S.A., Inc. All rights reserved. All trademarks are the property of SECO-LARM U.S.A., Inc. or their respective owners. The SECO-LARM policy is one of continual development. For that reason, SECO-LARM reserves the right to change prices and specifications without notice. SECO-LARM is not responsible for misprints.

SECO-LARM® ENFORCER® CRIMEBUSTER® CBA SLI®

PI_SK-1011-SDQ_160203.docx