

Synthesized Intelligent PIR

SIP-3020 SIP-4010 SIP-404



The SIP-3020, SIP-4010, and SIP-404 detectors in the REDWALL-V Series are designed for use in small and mid-sized outdoor areas. They have an intelligent detection system that uses data on the ambient environment, such as temperature and illuminance conditions, to automatically adjust the sensitivity.

Mechanisms for easy installation enable accurate adjustment of the detection area at setup, which results in more reliable operation. The optional AVF-1 Area View Finder allows the installer to visually identify the detection area.

The detectors are also equipped with anti-rotation and anti-masking. They can also detect vandalism or tampering on the units. These functions provide greater security in operations.

Detectors in the REDWALL-V Series are ideal for triggering outdoor camera systems where high performance is required.

FEATURES

Intelligent PIR Detection System

- Three dual pyro-elements with patented Double Conductive Shielding
- Detection of ambient temperature and illuminance for automatic sensitivity management
- Advanced detection algorithm
- Anti-rotation with 3-axis accelerometer
- Anti-masking with photo-beam
- Sensitivity selector for near / far area independently
- Detection logic selector
- Detection range selector
- Independent N.C. and N.O. outputs
- Adjustable alarm interval time
- Reinforced polycarbonate housing

OPTIONS

- AVF-1 Area View Finder
- SIP-HU Heating Unit
- OPM-WT Audible Walk Tester
- SIP-MINI HOOD Sun/Snow shield

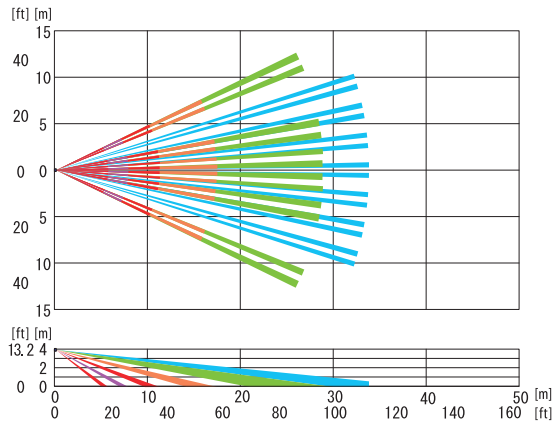
SPECIFICATIONS

Model	SIP-3020	SIP-4010	SIP-404
Detection method		Passive infrared	
Coverage	30 x 20 m (100 x 65 ft.)	40 x 10 m (130 x 33 ft.)	40 x 4 m (130 x 13 ft.)
Power input		11-16 VDC 22-26 VAC	
Current draw		35mA max. (12VDC) 70mA max. (24 VAC)	
Mounting height		2.3 to 4 m (7.6 to 13 ft.)	
Sensitivity selector		Far: SH/H/M/L Near: SH/H/M/L	
Range selector		Far: On/Off	
Alarm output		N.O., N.C., 28 VDC 0.2A max.	
Alarm interval period		Off/15, 30, 60 sec.	
Trouble output		N.C., 28 VDC 0.2 A max.	
Tamper output		N.C., 28 VDC 0.1 A max.	
Alarm period		Approx. 2 sec.	
Warm-up period		Approx. 60 sec.	
Operating temperature	-25 to +60°C, -40 to +60°C with optional heating unit (-13 to +140°F, -40 to +140°F with optional heating unit)		
IP rating		Main unit: IP65 Chassis: IP55	
Dimensions (H x W x D)		227 x 102 x 266 mm (9.0 x 4.0 x 10.5 in.)	
Weight		1.2kg (42 oz)	

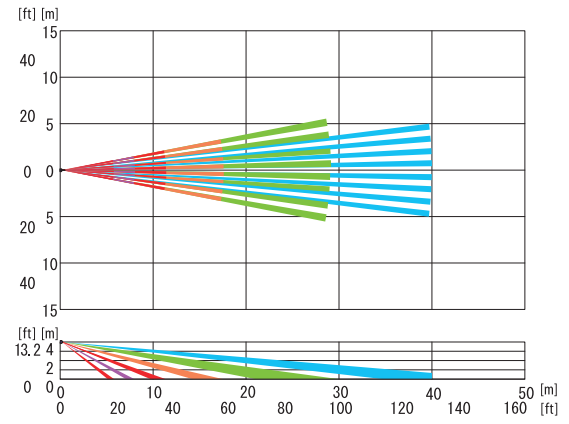
* Specifications and design are subject to change without prior notice.

DETECTION AREAS

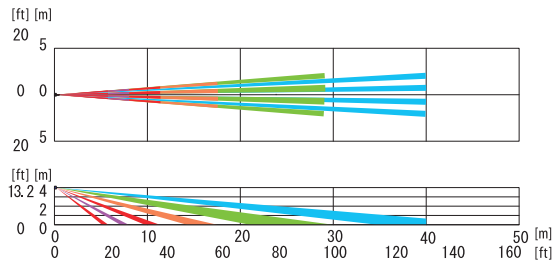
SIP-3020



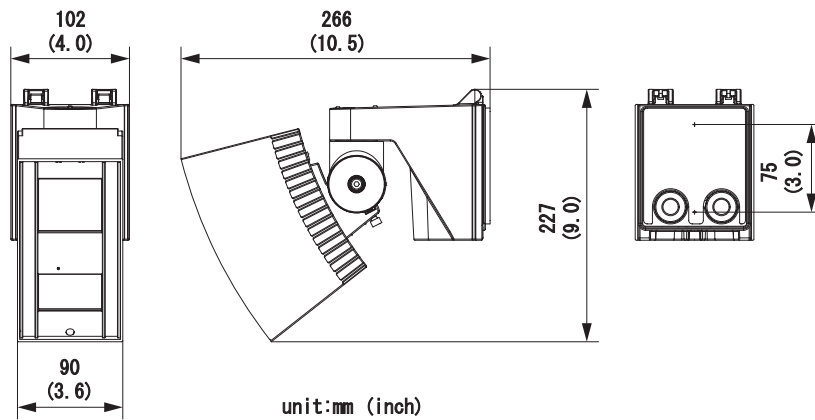
SIP-4010



SIP-404



DIMENSIONS



OPTEX CO., LTD.
(JAPAN)
 (ISO 9001 Certified)
 (ISO 14001 Certified)
 5-8-12 Ogoto
 Otsu, Shiga, 520-0101
 Japan
 Tel : +81-77-579-8030
 Fax : +81-77-579-7190
 URL : <http://www.optex.co.jp/e>

OPTEX INCORPORATED
(USA)
 13661 Benson Ave.
 Bldg. C. Chino CA 91710
 U.S.A.
 Tel : +1-909-993-5770
 Fax : +1-909-628-5560
 URL : <http://www.optexamerica.com>

OPTEX (EUROPE) LTD.
(UK)
 (ISO 9001 Certified)
 Clivemont Road, Maidenhead,
 Berkshire, SL6 7BU
 UK
 Tel : +44-1628-631000
 Fax : +44-1628-636311
 URL : <http://www.optexeurope.com>

OPTEX SECURITY SAS
(FRANCE)
 475 Rue Monique et Mario Piani
 69480 Ambérieux d'Azergues
 France
 Tel : +33 437 55 50 50
 Fax : +33 437 55 50 59
 URL : <http://www.optex-security.com>

OPTEX SECURITY Sp.z o.o.
(POLAND)
 ul. Bitwy Warszawskiej 1920 r.
 7B, 02-366 Warszawa,
 Poland
 Tel : +48-22-598-06-60
 Fax : +48-22-598-06-61