



Spectra® Mini Dome System

INDOOR, MINIATURE, SURFACE MOUNT/IN-CEILING

Product Features

- Familiar Spectra® Camera Menu Structure
- Single Model for Surface Mount and In-Ceiling Applications
- Autofocus, High Resolution Integrated Color Camera/Optics Package
- 80X Zoom (10X Optical, 8X Digital)
- Zone Blanking
- 64 Presets
- 0.5° Preset Accuracy
- 140°/second Pan Speed
- Rotating Discreet Liner
- One Pattern
- One Dynamic Window Blanking Area
- Proportional Pan and Tilt
- Programmable Zoom Speeds
- Multilanguage Support
- Integral, Autosensing, Multiprotocol Receiver
- Auto Flip Dome Rotation
- Integrated UTP Circuit
- Quick Connect Cable for Power, Video (Coax or UTP), and Data
- Available with Smoked or Clear Dome



SURFACE MOUNT APPLICATION



RECESSED CEILING APPLICATION

The **Spectra® Mini** incorporates many well-known features from Pelco's full-size Spectra dome system into a cost effective, small form factor. The easy-to-install dome system can be mounted to the surface of ceilings or recessed into hard ceilings and suspended tile ceilings. A high resolution camera transmits video over coaxial cable or unshielded twisted pair (UTP) wires. When paired with active UTP receivers, the Spectra Mini is capable of transmitting high quality video across distances of up to 4,000 ft (1,219 m). Pan/tilt operation can be performed with Pelco's controllers that transmit D, P, or Coaxitron® protocols. For non-Pelco controllers, a translator board can be installed. On-screen programming allows easy setup of the miniature dome's many features.

Variable speed capabilities of the **Spectra Mini** range from a fast pan motion of 140 degrees per second to a smooth "creep" speed of

0.4 degrees per second. The system is capable of continuous 360 degrees rotation and has an auto flip feature that allows the dome to rotate 180 degrees and reposition itself for uninterrupted viewing of any subject that passes directly beneath the dome's location.

Optional diagnostic/installation tools include a remote monitor kit (IPS-RMK) and a remote monitor cable (IPS-CABLE), both of which require an adapter cable (IPS-MINIADPT). The IPS-MINIADPT cable is supplied with the IPS-RMK. These accessories allow the installer to view video, control PTZ, and perform system setup and software upgrades at the installation site. The IPS-RMK is a stand-alone kit consisting of a 5.6-inch TFT-LCD monitor, Palm™ OS-compatible handheld device and interface cable, carrying case, and the remote monitor cable.



TECHNICAL SPECIFICATIONS

Product Features

- 64 Presets: 53 User Definable and 11 Predefined
- $\pm 0.5^\circ$ Preset Accuracy
- Multilanguage Menus (English, Spanish, Portuguese, Italian, French, and German)
- Alternate Language Files (includes Russian, Polish, Turkish, and Czechoslovakian) Available as Optional Software Upload
- Data Port for Software Update and Setup
- On-Screen Compass, Tilt, and Zoom Display
- Password Protection
- $140^\circ/\text{sec}$ Pan Preset Speed and $80^\circ/\text{sec}$ Tilt Preset Speed
- Rotating Discreet Liner
- Four Zones (programmable in size) Can Be Labeled with up to 20 Characters Each or Set to Output Blank Video
- Programmable Locations of Labels and On-Screen Displays
- One on-screen, user-defined programmable pattern. Includes pan, tilt, zoom, and preset functions
- One Programmable Window Blanking Area
- Proportional Pan and Tilt – Continually decreases pan and tilt speeds in proportion to depth of zoom
- Variable Scan Speed – Scan speed can be 3, 6, or $12^\circ/\text{sec}$
- Pan Motion Allows $0.4\text{--}140^\circ/\text{sec}$ Pan Speed
- Programmable Limit Stops for Auto/Random/Frame Scan Modes
- Autosensing Protocol (Coaxitron, RS-422 P and D); Accepts Competitive Control Protocols with Optional TXB Translator Boards
- Digital Position, Zoom Control, and Feedback Via D Protocol
- Built-in Menu System for Setup of Programmable Functions
- Auto Flip Rotates Dome 180° at Bottom of Tilt Travel
- Programmable Zoom Speeds

GENERAL

Construction	Anodized cast aluminum
Top Cap	ABS plastic
Dome Drive	
Trim Ring and Surface Mount Ring	ABS plastic
Bubble	Acrylic
Finish	White or black
Light Attenuation	
Smoked	$1/2$ F-stop light loss
Clear	Zero light loss
Cable Entry	RJ45-10 pigtail connector for video (UTP), power, and data (supplied) BNC connector for video (coax)
Environment	Indoor
Operating Temperature	32° to 122°F (0° to 50°C)
Unit Weight	1.75 lb (0.79 kg)
Shipping Weight	4 lb (1.81 kg)

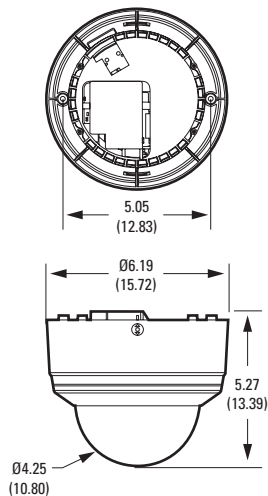
MECHANICAL

Pan Movement	360° continuous pan rotation
Vertical Tilt	Unobstructed $+2^\circ$ to -92°
Manual Pan/Tilt Speeds	
Pan	$0.4^\circ\text{--}80^\circ/\text{sec}$ manual operation, $100^\circ/\text{sec}$ turbo
Tilt	$0.7^\circ\text{--}40^\circ/\text{sec}$ manual operation
Preset Speeds	
Pan	$140^\circ/\text{sec}$
Tilt	$80^\circ/\text{sec}$
	For variable speed operation an appropriate controller is required.

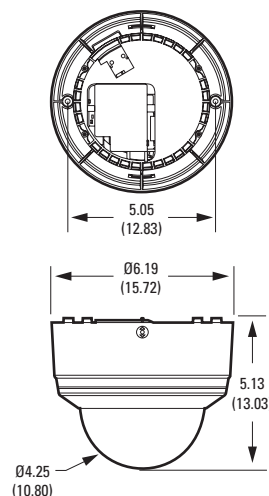
ELECTRICAL

Input Voltage	18-30 VAC; 24 VAC nominal
Input Power	21 VA nominal
Fuse	1.6 A

WITH TXB TRANSLATOR BOARD



WITHOUT TXB TRANSLATOR BOARD



NOTE: VALUES IN PARENTHESES ARE CENTIMETERS; ALL OTHERS ARE INCHES.

TECHNICAL SPECIFICATIONS

CAMERA

Signal Format	NTSC/PAL
Scanning System	2:1 interlace
Image Sensor	1/4-inch interline CCD
Effective Pixels	
NTSC	768 (H) x 494 (V)
PAL	752 (H) x 582 (V)
Horizontal Resolution	
NTSC	>470 TV lines
PAL	>460 TV lines
Minimum Illumination	3.0 lux
Sync System	AC line lock, phase adjustable via remote control, V-Sync
White Balance	Automatic with manual override
Shutter Speed	Automatic (electronic iris)/manual 1/60 ~1/30,000
Gain Control	Automatic with manual override
Video Output	
Composite	1.0 to 1.2 Vp-p, 75 ohms, adjustable
UTP	1.0 to 1.2 Vp-p, 100 ohms, adjustable
Video Signal-to-Noise Ratio	>50 dB

OPTIONAL MOUNTS

SPM4-W	Pendant mount, white
SPM4-B	Pendant mount, black
SWM4-W	Pendant-wall mount, white
SWM4-B	Pendant-wall mount, black

LENS

Lens	F1.8 (F= 4.2-42 mm optical) 10X optical zoom, 8X digital zoom
Zoom Speed (optical range)	1.5/2.5/4.3 seconds
Horizontal Angle of View	46.4° wide zoom; 5.0° telephoto zoom
Focus	Automatic with manual override
Iris Control	Automatic with manual override

CERTIFICATIONS

- CE, Class B
- FCC, Class B
- UL Listed
- UL Listed to Canadian safety standards

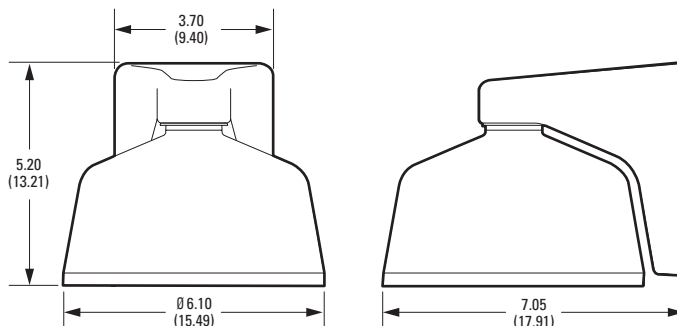
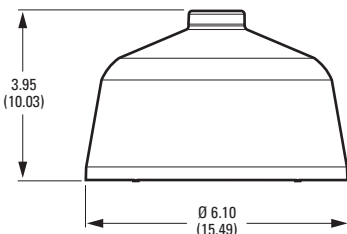
At the time of this printing, all other certifications are pending. Please consult the factory, our website (www.pelco.com), or the most recent B.O.S.S.® update for the current status of certifications.



**SPECTRA MINI DOME SHOWN WITH
OPTIONAL SPM4-W PENDANT MOUNT**



**SPECTRA MINI DOME SHOWN WITH
OPTIONAL SWM4-W PENDANT-WALL MOUNT**



NOTE: VALUES IN PARENTHESES ARE CENTIMETERS; ALL OTHERS ARE INCHES.

SPM4-W/SPM4-B

Mounting Method	Attach mount to 0.75-inch NPT pipe or 20 mm threaded conduit; attach Spectra Mini dome with hardware supplied with mount
Construction	ABS plastic
Finish	
SPM4-W	White
SPM4-B	Black
Unit Weight	0.30 lb (0.14 kg)
Shipping Weight	2 lb (0.91 kg)

SWM4-W/SWM4-B

Mounting Method	Install adapter plate on wall or junction box using appropriate hardware; attach wall mount to adapter plate; attach Spectra Mini dome with hardware supplied with mount
Construction	ABS plastic, aluminum
Finish	
SWM4-W	White
SWM4-B	Black
Unit Weight	0.72 lb (0.33 kg)
Shipping Weight	2 lb (0.91 kg)

MODELS AND RELATED PRODUCTS

MODELS

SD4-B0	Indoor dome system, black, smoked bubble, NTSC
SD4-B1	Indoor dome system, black, clear bubble, NTSC
SD4-B0-X	Indoor dome system, black, smoked bubble, PAL
SD4-B1-X	Indoor dome system, black, clear bubble, PAL
SD4-W0	Indoor dome system, white, smoked bubble, NTSC
SD4-W1	Indoor dome system, white, clear bubble, NTSC
SD4-W0-X	Indoor dome system, white, smoked bubble, PAL
SD4-W1-X	Indoor dome system, white, clear bubble, PAL

OPTIONAL ACCESSORIES

IPS-RMK	Remote monitor kit. Stand-alone kit consisting of a 5.6-inch TFT-LCD monitor, Palm™ OS compatible handheld, cables and carrying case. Allows viewing of camera video, local PTZ control, system setup, and system software upgrades at any installed dome. Includes IPS-MINIADPT adapter cable.
IPS-CABLE	Remote monitor cable and software kit consisting of the Spectra remote monitor interface cable and necessary software for use with a PC (Windows® 95, 98, Me, 2000), Palm OS compatible handheld or iPaq™ Series Pocket PC. See www.pelco.com for a list of compatible devices.
IPS-MINIADPT	Adapter cable required to use IPS-RMK and IPS-CABLE. Supplied with IPS-RMK.
TXB Series	Translator boards for AD Manchester, Hervis, Bosch (Philips, Burle), Sensormatic, and Vicon protocols.



IPS-RMK REMOTE MONITOR KIT



Pelco Worldwide Headquarters:

3500 Pelco Way, Clovis, California 93612-5699 USA
USA & Canada Tel: (800) 289-9100 • FAX (800) 289-9150
International Tel: (559) 292-1981 • FAX (559) 348-1120
www.pelco.com

Pelco, the Pelco logo, Coaxitron, Spectra, and B.O.S.S. are registered trademarks of Pelco. Windows is a registered trademark of Microsoft Corporation. iPaq is a trademark of Compaq Corporation. Palm is a trademark of Palm, Inc. Specifications subject to change without notice. ©Copyright 2007, Pelco. All rights reserved.