

**INSTALLATION INSTRUCTIONS**

**RECESS MOUNT BRACKET for REDSCAN mini**



RECESS MOUNT BRACKET  
**RLS-RB**

**CONTENTS**

<b>1</b> INTRODUCTION	
1-1 PRECAUTIONS	1
1-2 PARTS IDENTIFICATION	1
<b>2</b> INSTALLATION AND ANGLE ADJUSTMENT	
2-1 DISASSEMBLY	1
2-2 PREPARATION	2
2-3 MOUNTING	2
2-4 ANGLE ADJUSTMENT	4
<b>3</b> DIMENSIONS	
3-1 DIMENSIONS	4
<b>4</b> SPECIFICATIONS	
4-1 SPECIFICATIONS	4

**1 INTRODUCTION**

**1-1 PRECAUTIONS**

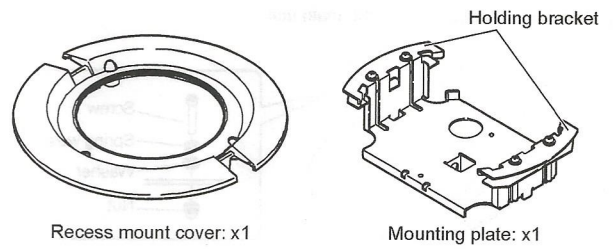
- Read this instructions carefully prior to installation.
- This instructions uses the following warning indications to provide information regarding correct usage of the product to prevent harm and damages to assets. These warning indications are described below. Ensure these precautions before reading the rest of this instructions.

<b>Warning</b>	Failure to follow the instructions provided with this indication and improper handling may cause death or serious injury.
<b>Caution</b>	Failure to follow the instructions provided with this indication and improper handling may cause injury and/or property damage.

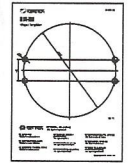
- This symbol indicates prohibition. The specific prohibited action is provided in and/or around the figure.
- This symbol requires an action or gives an instruction.

<b>Caution</b>	
Use exclusively with the RLS-2020 series.	
When installing on a ceiling, make sure the surface is capable of withstanding the total weight of the recessed mounting kit and the RLS-2020 is sufficiently reinforced if necessary.	
When installing on a ceiling, confirm that the thickness of the ceiling board is less than 30mm.	

**1-2 PARTS IDENTIFICATION**



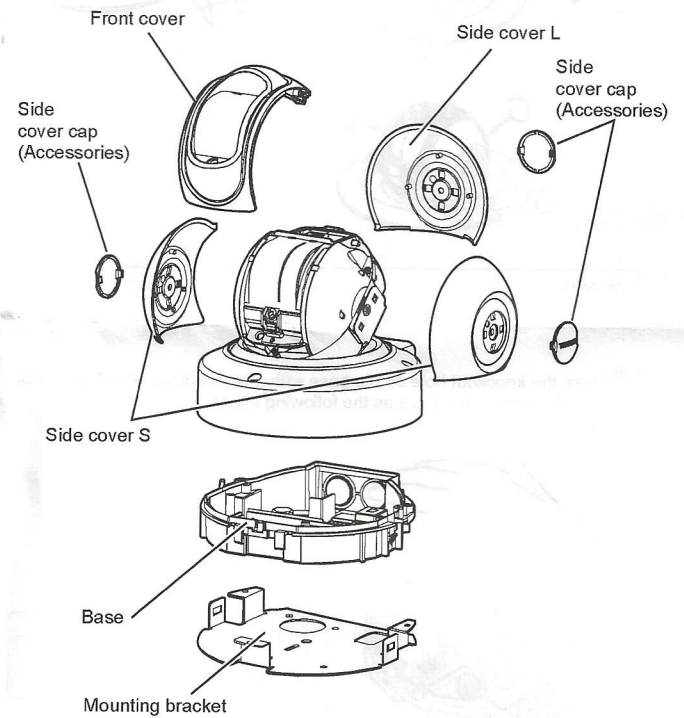
Accessories >>



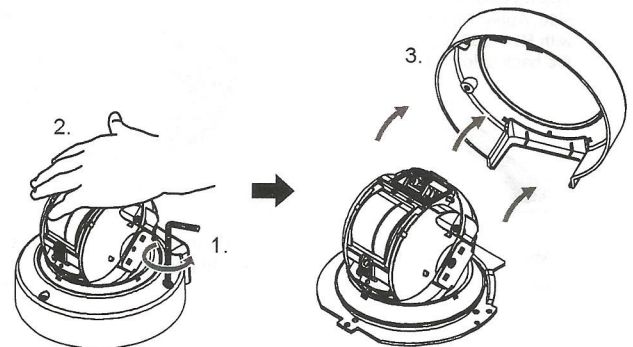
**2 INSTALLATION AND ANGLE ADJUSTMENT**

**2-1 DISASSEMBLY**

1 Disassemble the RLS-2020 as below.



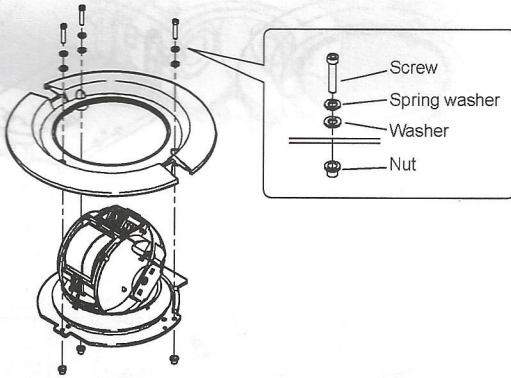
2 Separate the main unit and the base cover.



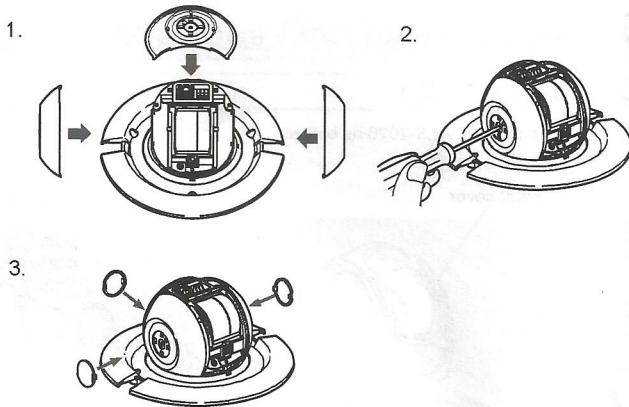
*Note*>>  
Do not lose the screws and washers.

## 2-2 PREPARATION

- 1 Attach the recess cover to the main unit.

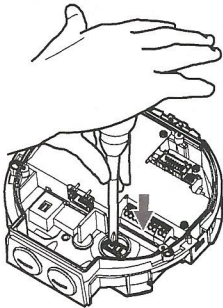


- 2 Mount the side cover L, side cover S and side cover caps.



**Note >>**  
When using the maintenance port, do not fit the front cover.

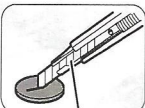
- 3 Make the knockout hole on the base with a screw-driver. Put the packing onto the back of the base as the following image.



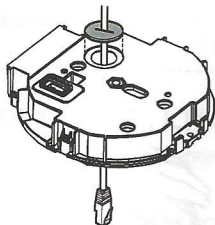
**Caution >>**  
Be sure to open a knockout to the downward direction.

**Note >>**

When performing wiring on the back side, Apply the packing (supplied with RLS-2020) on the depression on the back side of the base.



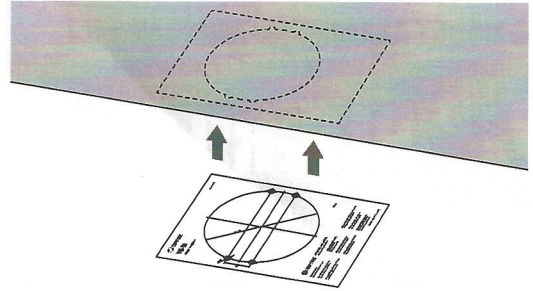
Make a slit with a cutter.



Pass the wiring through the slit of the packing.

## 2-3 MOUNTING

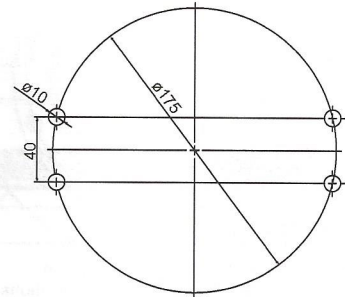
- 1 Place the supplied paper template on the mounting surface and open mounting holes.



**Note >>** How to make the mounting hole

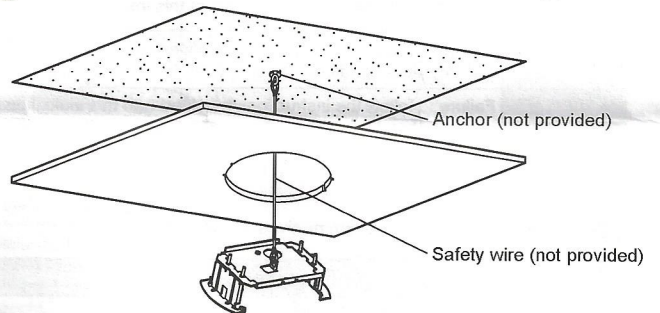
1. Make 4 holes of 10 mm (0.4") in diameter.
2. Make a hole of 175 mm (0.57 ft.) in diameter.

The ceiling holes are shown in the drawing as below.

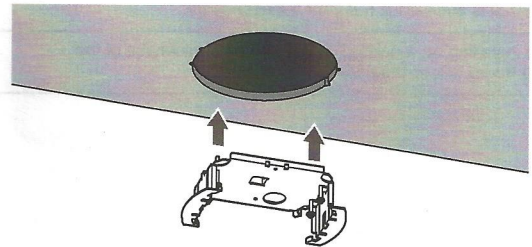


Unit: mm

- 2 Connect safety wire (not provided) with the hole on the mounting plate.

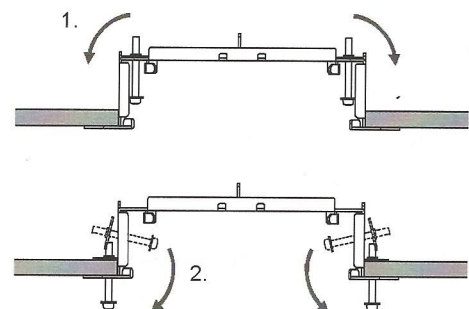


- 3 Put the mounting plate in the hole, and then slide the fixing plate to hold the ceiling between the mounting plate and the fixing plate as below.

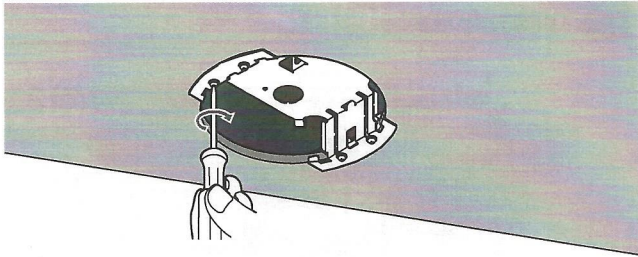


**Note >>** How to use the holding bracket

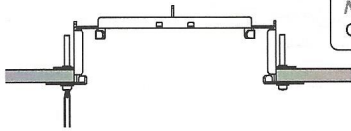
1. Slide the holding bracket.
2. Hold the ceiling plate in between the holding bracket and mounting plate.



4 Fit the mounting plate on the ceiling and fasten the screws.

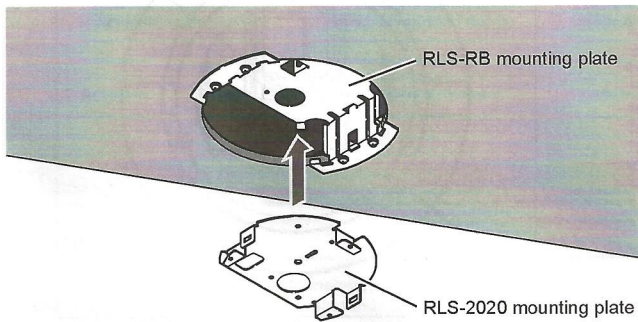


■ Side view

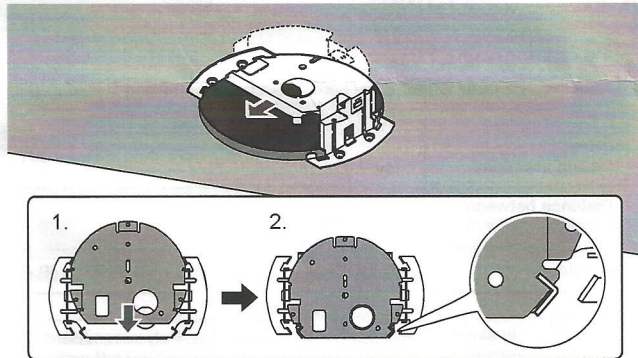


Note>>  
Ceiling thickness: 8 to 30 mm

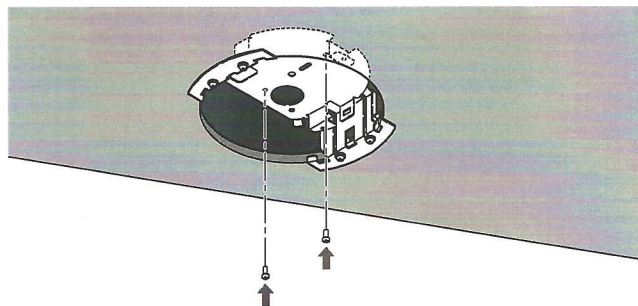
5 Fit the mounting plate of RLS-2020 on the mounting plate of RLS-RB.



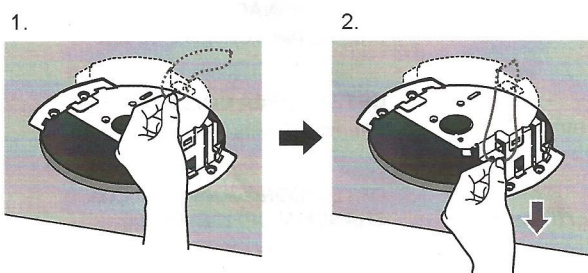
6 Slide the mounting plate of RLS-2020.



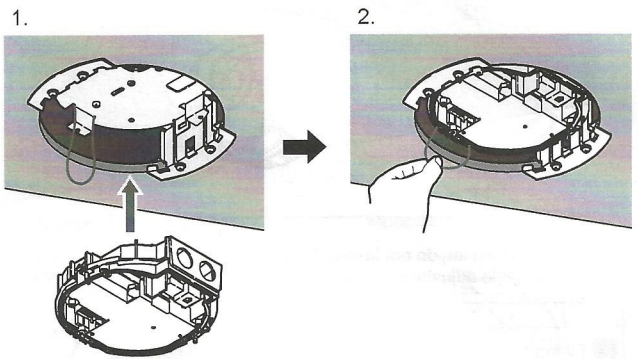
7 Fasten the screws to fix the mounting plate.



8 Pull the drop prevention nylon wire loop.

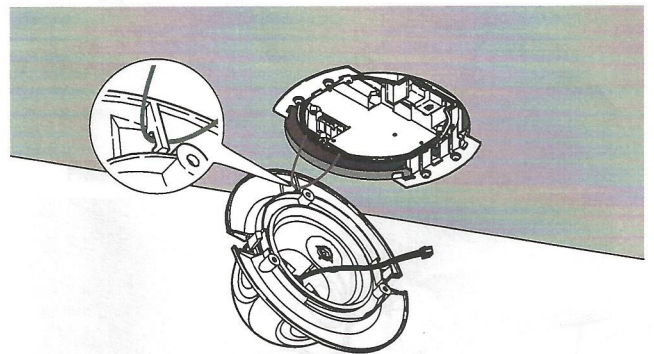


9 Attach the base into the mounting bracket until it clicks and pull the drop prevention nylon wire loop.

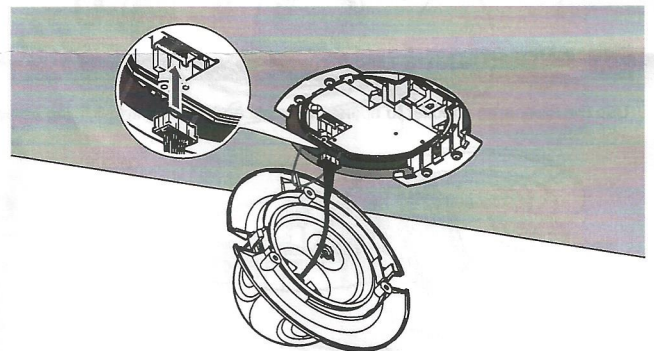


Note>>  
Pull the base to make sure that the base is completely attached.

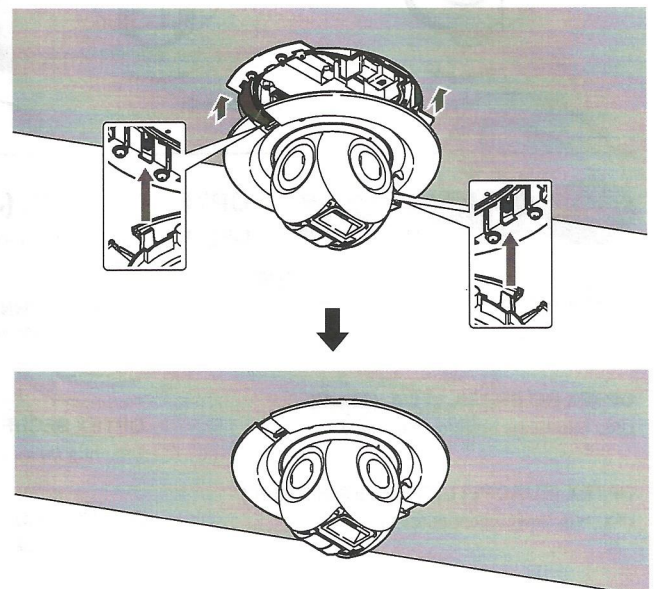
10 Hang the drop prevention nylon wire loop to the hook of the press mount cover as below.



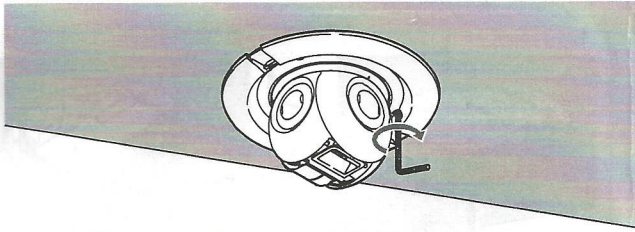
11 Connect the connector and mount the main unit with the recess mount cover on the mounting plate.



12 Connect the base and main unit with wiring and attach the base into the mounting bracket until it clicks.



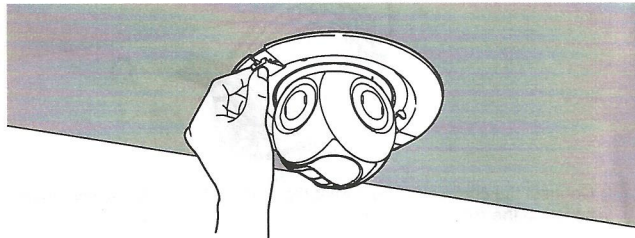
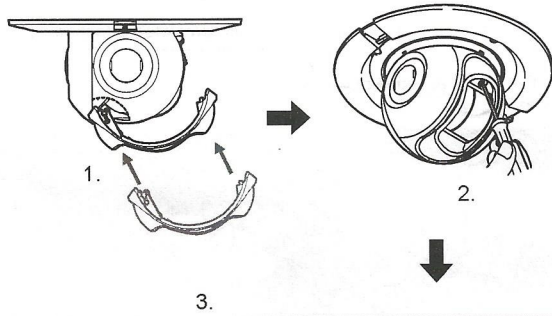
13 Fasten 3 fixing screws slightly.



Note>>

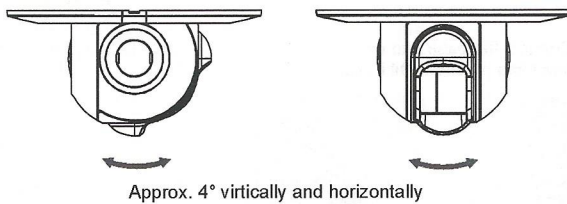
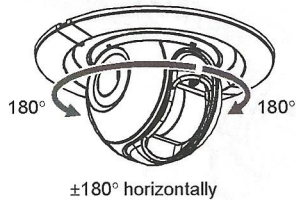
At this moment, do not fasten the screws.  
After angle adjustment, fasten them tightly.

14 Fit front cover, then put lids on the recess mount cover.



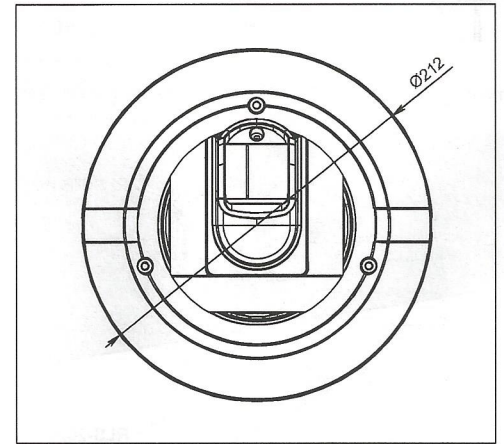
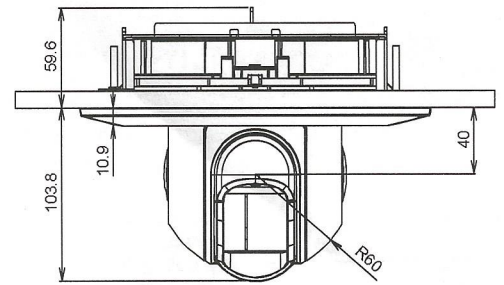
## 2-4 ANGLE ADJUSTMENT

Use the laser area checker to adjust the angle and then tighten 3 fixing screws.



## 3 DIMENSIONS

### 3-1 DIMENSIONS



Unit: mm

## 4 SPECIFICATIONS

### 4-1 SPECIFICATIONS

Model	RLS-RB
Ceiling thickness	8 to 30 mm
Distance between ceiling and roof	Min. 60 mm
Weight	480 g (17 oz) (Included RLS-2020 1400 g (49.4 oz))
Material	Bracket: Electro galvanized steel, Recess mount bracket, Lid: Polycarbonate



OPTEX CO., LTD. (JAPAN)

URL: <http://www.optex.net>

OPTEX INC. (U.S.)

URL: <http://www.optexamerica.com>

OPTEX DO BRASIL LTDA. (Brazil)

URL: <http://www.optex.net/br/es/sec>

OPTEX (EUROPE) LTD. / EMEA HQ (U.K.)

URL: <http://www.optex-europe.com>

OPTEX TECHNOLOGIES B.V.

(The Netherlands)

URL: <http://www.optex.eu>

OPTEX SECURITY SAS (France)

URL: <http://www.optex-security.com>

OPTEX SECURITY Sp.z o.o. (Poland)

URL: <http://www.optex.com.pl>

OPTEX PINNACLE INDIA, PVT., LTD. (India)

URL: <http://www.optex.net/in/en/sec>

OPTEX KOREA CO.,LTD. (Korea)

URL: <http://www.optexkorea.com>

OPTEX (DONGGUAN) CO.,LTD.

SHANGHAI OFFICE (China)

URL: <http://www.optexchina.com>

Copyright (C) 2016 OPTEX CO., LTD.