

# POE75U-1UP Series Adapter for Spectra® Enhanced 75 WATT POWER OVER ETHERNET SINGLE PORT INJECTOR

## Product Features

- 75 Watts of High PoE Power for the Outdoor Spectra® Enhanced PTZ
- Diagnostic LEDs
- Broken Wire Detection
- Proprietary Detection, Disconnect, and Overload
- Full Protection
  - Overcurrent Protection (OCP)
  - Overvoltage Protection (OVP)



The **POE75U-1UP** Power over Ethernet (PoE) single port power injector is designed to meet the demanding data rate and power requirements of outdoor Spectra Enhanced IP cameras with high-quality streaming video capabilities. The injector offers total output power of 75 W, which meets the IEEE802.3af and IEEE802.3at standards for detection, connection, disconnection, and fault protection.

The **POE75U-1UP** power injector is compatible with 10/100/1000Base-T systems. AC input voltage ranges from 100 to 240 VAC with input frequency from 47 to 63 Hz. Maximum output load current is 350 mA at 56 VDC.

# TECHNICAL SPECIFICATIONS

## MODEL

Model	Description	Power Cord
POE75U-1UP*	75 watt, single-port PoE injector	No power cord
POE75U-1UP-US	75 watt, single-port PoE injector	US power cord
POE75U-1UP-EUK	75 watt, single-port PoE injector	EU and UK power cord

\* A power cord is required for operation, but is not provided/shipped with this model.

## ELECTRICAL

Input Voltage Rating	100 to 240 VAC $\pm$ 10%
AC Input Current	2 A (RMS) maximum for 90 VAC; 1.2 A (RMS) maximum for 240 VAC
Leakage Current	3.5 mA maximum at 254 VAC 60 Hz
AC Input Frequency	47 to 63 Hz
AC Inrush Current	30 A (RMS) maximum for 115 VAC; 60 A (RMS) maximum for 230 VAC
Total Output Power	75 W
Ripple and Regulation	250 mV maximum
Efficiency	80% (typical) at maximum load; 120 VAC, 60 Hz
Hold-up Time	10 milliseconds minimum; 120 VAC and maximum load
Transient O/P Voltage Protection	60 V maximum
Over Voltage/Current, Short Circuit Protection	Outputs equipped with short circuit protection and overload protection as per 802.3af specifications except maximum average current is 1.34 A; the output can be shorted permanently without damage
Input Connectors	IEC320 inlet 3-pin
Output Connection	4-pair powering for full power; 2-pair powering for IEEE802.3at mode
IEEE 802.3af/at Interoperability	If 25 kohm is detected the unit operates in IEEE802.3at mode; 33.6 W, 2 pair powering; 12.5 k detection resistance required for full power

## FRONT PANEL INDICATORS/FUNCTIONS


Status/Color	Description
Green LED 1	DC power OK
Red LED	Fault detected
Solid Green LED 2	Power detected connect at 75 W
Flashing Green LED 2	IEEE802.3at detected connect at 30 W

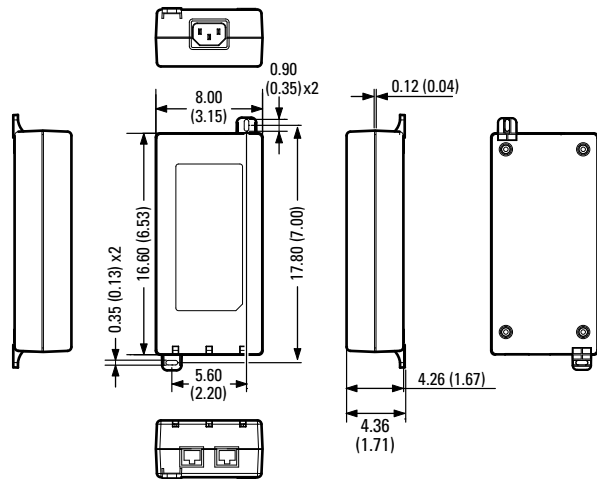
## ENVIRONMENTAL

Operating Temperature	-20° to 40°C (-4° to 104°F)
Storage Temperature	-25° to 65°C (-13° to 149°F)
Maximum Humidity Gradient	5% to 90%

## CERTIFICATIONS

- CE, Class B
- FCC, Class B
- UL/cUL Listed

 VALUES IN PARENTHESES ARE INCHES; ALL OTHERS ARE CENTIMETERS.



### Pelco by Schneider Electric

3500 Pelco Way, Clovis, California 93612-5699 United States

**USA & Canada** Tel (800) 289-9100 Fax (800) 289-9150

**International** Tel +1 (559) 292-1981 Fax +1 (559) 348-1120

**www.pelco.com** [www.pelco.com/community](http://www.pelco.com/community)

Pelco, the Pelco logo, and other trademarks associated with Pelco products referred to in this publication are trademarks of Pelco, Inc. or its affiliates. ONVIF and the ONVIF logo are trademarks of ONVIF Inc. All other product names and services are the property of their respective companies.

Product specifications and availability are subject to change without notice.

©Copyright 2015, Pelco, Inc. All rights reserved.