



Ceiling-mount
Door Sensor



Quality Easy Adjustment Presence Detection
Flexible Concealed Reliable
Safety Ceiling mounted

The OPTEX OA-72C Active Infrared Sensor is a ceiling-mount type sensor for automatic doors. Its stylish design and flexible detection area setting fit to any existing entrance.

Safe and Stable Operation

The OPTEX OA-72C has the ability to detect the presence of a person or object within its field of view, thus keeping the door open anytime someone is near. The presence timer can be adjusted for 2, 30 or 60 seconds. In addition, snow mode is built-in to add stability in locations where the sensor is exposed to harsh environments.

High Mount Capability

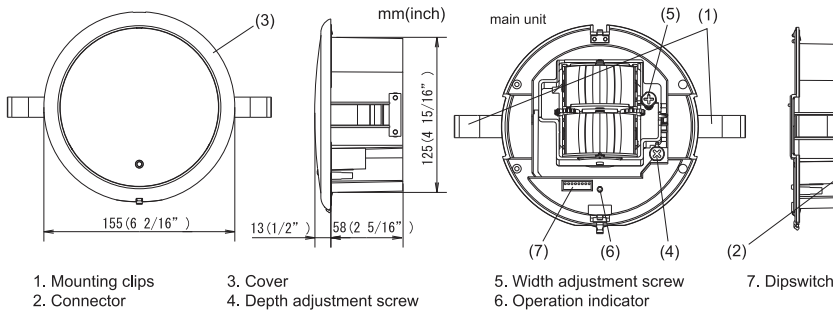
High ceilings are not a problem for the OA-72C. The sensor can be mounted as high as 13 feet above the floor.

Flexible Detection Area

Adjust the detection area Left and Right and move it closer or farther away from the door. Adjustment is accomplished by the movement of independent threshold and approach areas. Fine adjusters allow for adjustment within 1 inch of the moving face of the door.

Easy Installation

The OA-72C comes with built-in mounting flanges. Simply cut the hole, connect the wires and pop the sensor into place.

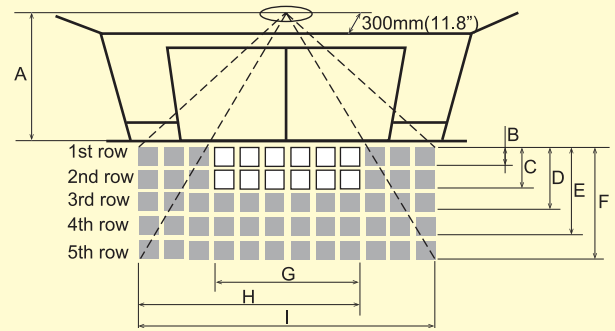


Ceiling-mount Door Sensor

Specifications

Model	OA-72C
Cover color	Silver
Mounting height	2.0 m (6'7") to 4.0 m (13'1")
Detection method	Active Infrared reflection
Detection angle adjustment	-15° to +10°
Wide angle adjustment	-10° to +10°
Power supply	12 to 24V AC (±10%) 12 to 30V DC (±10%)
Power consumption	<1.5 W (<5 VA at AC)
Operation LED	Green: stand-by Red: 1st row detection Orange: 2nd to 5th row detection
Output	Form C relay 50V 0.3A max. (resistance load)
Output hold time	Approx. 0.5 sec.
Response time	<0.3 sec.
Operating temperature	-4°F to 131°F
Weight	320g (11.2 oz.)
Accessories	3 m (9'10") connection cable, mounting template, operation manual

Detection Area Chart



Dimensions in this chart are based on factory default settings and sensor mounted 11 3/4" from face of moving panel to center of sensor.

Mounting Height A	7' 3"	8' 2"	9' 10"	11' 6"	13' 1"
Area Depth B	5.1"	5.9"	7.1"	8.3"	9.24"
Area Depth C	1' 3"	1' 5"	1' 8"	2'	2' 3"
Area Depth D	2' 1"	2' 4"	2' 10"	3' 4"	3' 10"
Area Depth E	3' 1"	3' 6"	4' 2"	4' 11"	5' 7"
Area Depth F	4' 1"	4' 8"	5' 7"	6' 6"	7' 5"
Area Width G	3' 7"	4' 1"	4' 10"	5' 8"	6' 6"
Area Width H	5' 5"	6' 2"	7' 5"	8' 8"	9' 10"
Area Width I	7' 5"	8' 5"	10' 1"	11' 9"	13' 5"

The actual detection area may vary slightly based upon environmental conditions. Installer must perform walk test to verify conformance with minimum requirement of the current ANSI Standard.



OPTEX Inc.
Americas Headquarters
18730 S. Wilmington Ave, Unit 100
Rancho Dominguez, CA 90220
Ph 310 214-8644 Fax 310 214-8655
Toll free 800 877-6656

(East Coast Office)
8510 McAlpine Park Dr., Suite 108
Charlotte, NC 28211

www.optexamerica.com

