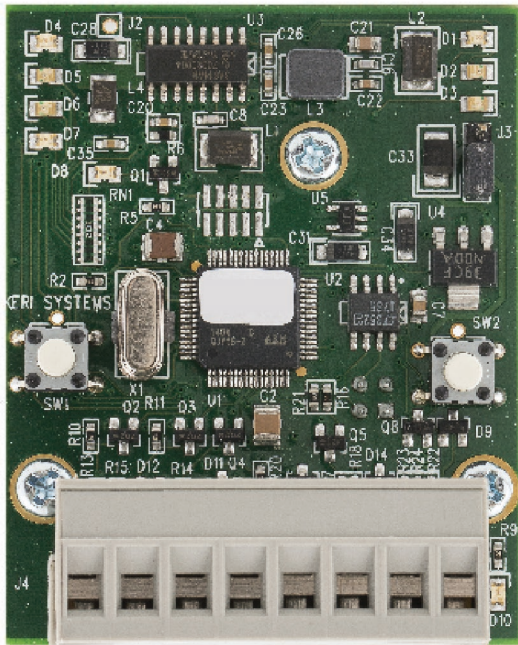


NXT-RM3

Reader Interface Module

DATA SHEET



- Allows connection of Wiegand output readers to NXT Controllers
- Also allows connection of Keri MS Series Proximity Readers for legacy systems
- Mounts on and connects directly to NXT Controller
- Also mounts on and connects to NXT-4X4 and GIOX Input/Output Expansion Modules for applications where controllers are centrally located and access control access control functions are moved closer to the door

Keri's **NXT-RM3 Reader Interface Module** is designed to make it easy to connect reader technologies with industry standard Wiegand output to NXT Controllers. It also allows connection of Keri MS Series Proximity Readers, most commonly used for legacy systems where PXL-500 Controllers are also in place being used with KC-10X, MT-10X, or PKT-10X credentials.

The **NXT-RM3** securely plugs directly onto an NXT Controller or an NXT-4X4 or GIOX I/O Expansion Module with excellent mechanical and electrical integrity. The option to bring the reader terminations to the I/O modules provides substantial savings in wiring costs because door functions can be located closer to the reader/door, with only 4 wires required to be cabled to centrally located controllers.



2305 Bering Drive • San Jose, California 95131
408-435-8400 • Toll Free: 800-260-5265 • Fax: 408-577-1792

email: sales@kerisys.com • web: www.kerisys.com

NXT- RM3 Reader Interface Module

DATA SHEET, Page 2 of 2

Specifications:

Size (when mounted on an NXT controller):

6.50 inches high by 5.50 inches wide by 2.50 inches deep, not including wiring connectors (16.51 cm by 13.97 cm by 6.35 cm)

Weight:

1.28 oz (36.6 g)

Power Requirements (max):

10 to 14 VDC @ 100 mA (maximum current draw at 12 VDC)

Temperature/Humidity:

32°F to 140°F (0°C to 60°C)
0-90% Non Condensing

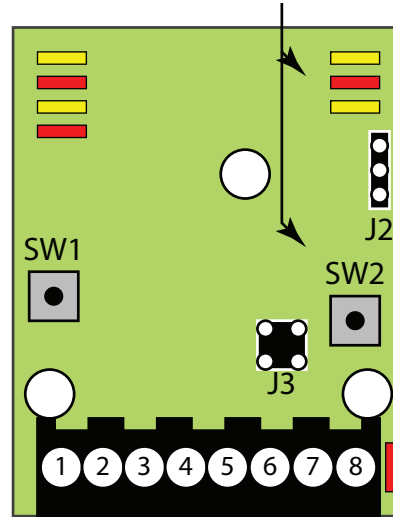
Supported Reader Types:

(one reader per RIM)
Keri NXT
Keri Keypad
Keri MS
Wiegand (single and dual LED control)

** Specifications are subject to change without notice.*

Reader LED Configuration

Reader Type Configuration



5VDC - 12 VDC
Reader Power
Jumper

Reader Connections

ORDERING INFORMATION:

Model #	Description
NXT-RM3	Reader Interface Module (for Wiegand and MS Compatibility)

RELATED PRODUCTS:

Model #	Description
NXT-KPK	Keypad Kit (includes NXT-6RK and NXT-RM-3)
NXT-6RK	Keypad Prox Reader (requires NXT-RM3)
NXT-WI	Wiegand Interface Module (Wiegand compatibility only)



Presented By: