

## NetWay1P

Includes:

**NetWay1: Single Port PoE Injector**  
for Standard Network Infrastructure

**TP2440: Compatible Plug-In Transformer**



NetWay1P

### Description

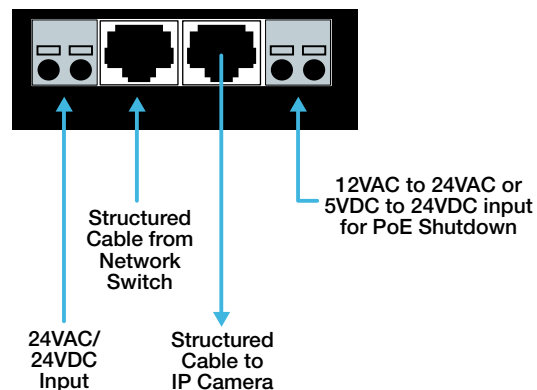
Altronix NetWay1 single port midspan PoE-compliant power injector provides power and passes data (e.g. video) for PoE-compliant devices. Devices may be located up to 100m from NetWay1. A NetWayXT repeater module can be utilized to extend the distance for an additional 100m for a total range of up to 200m. A maximum range of 600m is possible using multiple repeaters, based on device port requirement. NetWay1 is capable of supporting non-PoE compliant fixed IP cameras by utilizing NetWay1512 adapter.

Altronix TP2440 UL Listed plug-in transformer provides 24VAC with 1.67A output current.

### Key Features

- IEEE 802.3af (15W) compliant.
- Data rate: 10/100 Base-T compliant.
- Port provides up to 15.4W max.
- Port status LED.
- Auto detection and protection of legacy non-PoE cameras/devices.
- PoE manual shutdown (UL60950-1 applications only).
- Extends Network link distance in an industrial environment.
- Lightweight molded compact insulated housing.
- UL Listed in the U.S. and Canada.
- CE Approved.
- Lifetime Warranty / Made in the U.S.A.

### Typical Application



## NetWay1P

Includes:

**NetWay1: Single Port PoE Injector**  
**for Standard Network Infrastructure**  
**TP2440: Compatible Plug-In Transformer**

### Specifications

#### Input

24VAC, 1.2A or 24VDC, 1.2A.

#### Output

48VDC, up to 15.4W max.

IEEE 802.3af compliant.

Short circuit protection.

#### Ethernet

Connectivity: RJ45, auto-crossover.

Wire type: 4-pair CAT5e.

Distance: up to 100m.

Speed: 10/100BaseT, half/full duplex, auto negotiation.

#### Indicators (LED)

Red LED: Port status.

Yellow and Green LED (by RJ45 jack):  
 IP Link status, 10/100Base-T/active.

#### Agency Listings

UL/cUL	UL60950-1 (Information Technology Equipment). UL294 (Access Control Systems). UL294B (Power over Ethernet (PoE) for Access Control). CSA Standard C22.2 No.205-M1983, Signal Equipment.
CE	European Conformity.

#### Physical and Environmental

##### Dimensions (W x L x H)

2.5" x 3.8" x 1" (63.5mm x 96.52mm x 25.4mm).

##### Weight (approx.)

Product Weight: 2.79 lbs. (1.27 kg).

Shipping Weight: 3.15 lbs. (1.43 kg).

##### Temperature

###### Operating:

UL60950-1: 0°C to 40°C (32°F to 104°F).

UL294: 0°C to 49°C (32°F to 120.2°F).

Storage: -20°C to 70°C (-4°F to 158°F).

##### Relative Humidity

85% +/-5%.

##### Operating Altitude:

-304.8 to 3,048m (-1,000 to 10,000 ft.).

### Accessories:



NetWay1512

#### NetWay1512

13W adapter for non-PoE compliant cameras.

Compatible with PoE midspans and switches that pass power via the spare pairs of the network cable (Mode "B").

UL/cUL Listed (UL60950-1). CE Approved.



NetWayXT

#### NetWayXT

PoE repeater module.

Extends data (video) for 100m.

UL/cUL Listed (UL60950-1). CE Approved.