

# MMF-302-6

## Six-Zone Interface Module



Addressable Devices

### General

FireLite's **MMF-302-6 six-zone interface module** provides an interface between the intelligent alarm system and a two-wire conventional detection zone. A common SLC input is used for all modules, and the initiating device circuits share a common external supervisory supply and ground. Otherwise, each module operates independently from the others.

The first module is addressed from 01 to 154 while the remaining modules are automatically assigned to the next five higher addresses. Provisions are included for disabling a maximum of two unused modules. All two-wire detectors being monitored must be two-wire-compatibility-listed with the modules. The MMF-302-6 transmits the status of a zone of two-wire detectors to the fire alarm control panel. Status conditions are reported as normal, open, or alarm. The interface module supervises the zone of detectors and the connection of the external power supply.

Each MMF-302-6 module has panel-controlled bicolor LED indicators. The panel can cause the LEDs to blink, latch on, or latch off.

### Features

- Six addressable Class B or three addressable Class A initiating device circuits.
- Removable 12 AWG (3.1 mm<sup>2</sup>) to 18 AWG (0.78 mm<sup>2</sup>) plug-in terminal blocks.
- Status indicators for each point.
- Unused addresses may be disabled.
- Rotary address switches.
- Class A or Class B operation.
- LiteSpeed or CLIP operation.
- Mount one or two modules in a BB-2F cabinet (optional).
- Mount up to six modules on a CHS-6 chassis in a BB-6F cabinet (optional).
- Mounting hardware included.

### Specifications

**Standby current:** 2.0 mA (SLC current draw with all addresses used; if some addresses are disabled, the standby current decreases).

**Alarm current:** 40 mA (assumes all six LEDs solid ON).

**Temperature range:** 32°F to 120°F (0°C to 49°C).

**Humidity:** 10% to 85% noncondensing.

**Dimensions:** 6.8" (172.72 mm) high x 5.8" (147.32 mm) wide x 1.25" (31.75 mm) deep.

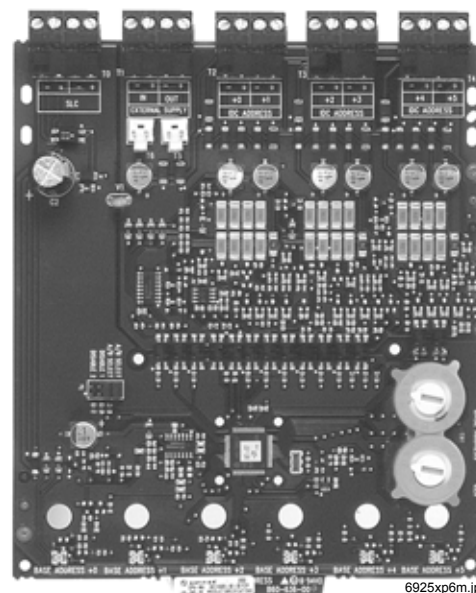
**Shipping weight:** 1.1 lb. (0.499 kg) including packaging.

**Mounting options:** BB-2F cabinet, CHS-6 chassis, or BB-6F cabinet.

**Wire gauge:** 12 AWG (3.1 mm<sup>2</sup>) to 18 AWG (0.78 mm<sup>2</sup>).

**MMF-302-6 is shipped in Class B position:** Remove shunt for Class A operation.

**Maximum SLC wiring resistance:** 40 or 50 ohms, panel dependent.



6925xp6m.jpg

### Wiring Diagrams

**Maximum IDC wiring resistance:** 25 ohms.

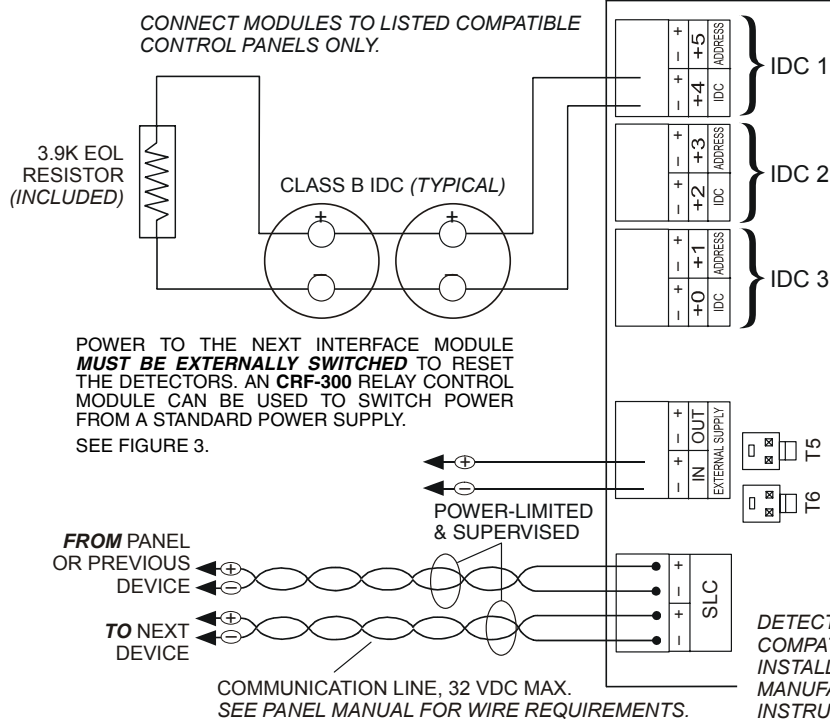
**External supply voltage: DC voltage:** 18 – 28 volts power-limited. Ripple voltage: 0.1 Vrms maximum. External supply current: 90 mA maximum per address in alarm. In Class B operation, 540 mA maximum for all six addresses in alarm. In Class A operation, 270 mA maximum for all three addresses in alarm.

**Compatible detectors:** See the Device Compatibility document. Contact Fire-Lite.

### Agency Listings and Approvals

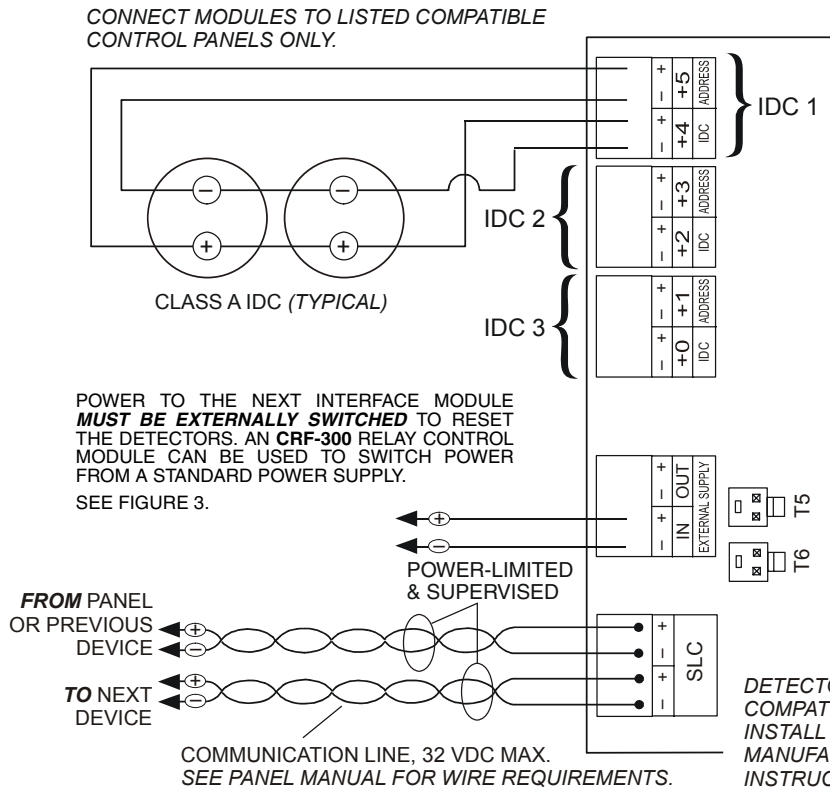
These listings and approvals apply to the modules specified in this document. In some cases, certain modules or applications may not be listed by certain approval agencies, or listing may be in process. Consult factory for latest listing status.

- **UL Listed:** S3705
- **ULC Listed:** S2424
- **MEA Listed:** 385-02-E
- **FM Approved**
- **CSFM:** 7300-0075:185



**FIGURE 1:**  
Interface Two-Wire Conventional Detectors — Class B, Style B  
**NOTE:** To use a common power supply between multiple MMF-302-6 modules, connect a long power supply jumper from T5 (or T6) to T5 (or T6) on the adjacent MMF-302-6 module.

DETECTORS MUST BE UL-LISTED COMPATIBLE WITH THE MODULE. INSTALL DETECTORS PER MANUFACTURER'S INSTALLATION INSTRUCTIONS.

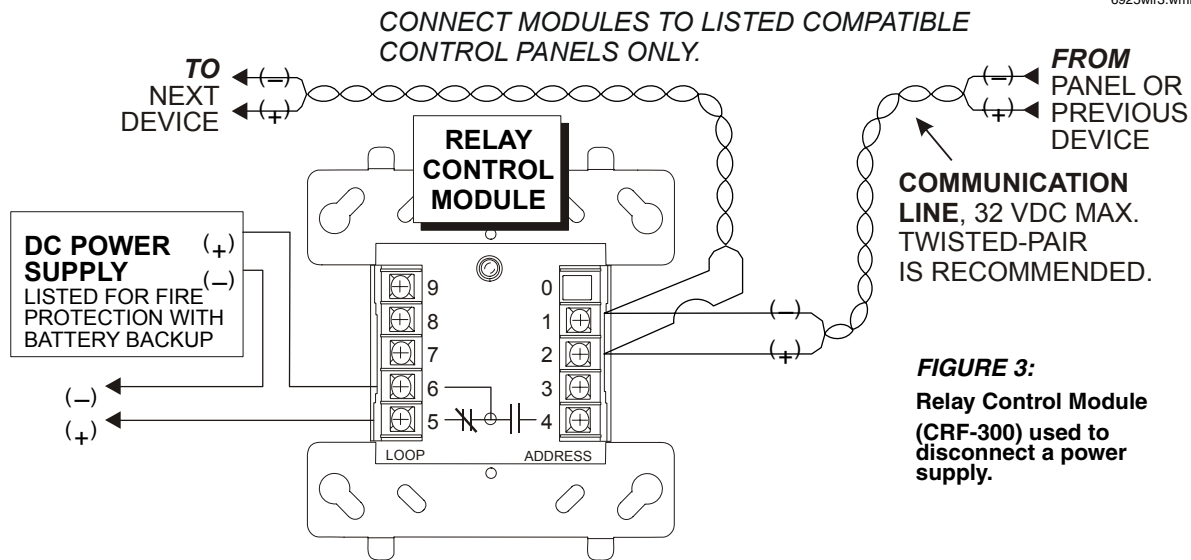


**FIGURE 2:**  
Interface Two-Wire Conventional Detectors — Class A, Style D  
**NOTE:** 1) To select Class A, remove the two shunts from the "A/B Select" positions. 2) To use a common power supply between multiple MMF-302-6 modules, connect a long power supply jumper from T5 (or T6) to T5 (or T6) on the adjacent MMF-302-6 module.

DETECTORS MUST BE UL-LISTED COMPATIBLE WITH THE MODULE. INSTALL DETECTORS PER MANUFACTURER'S INSTALLATION INSTRUCTIONS.

## Wiring Diagrams (cont.)

6925wir3.wmf



## Product Line Information

**MMF-302-6:** Six-zone conventional-detector interface module.

**BB-2F:** Optional cabinet for one or two modules. Dimensions, DOOR: 9.234" (23.454 cm) wide (9.484" [24.089 cm] including hinges), x 12.218" (31.0337 cm) high, x 0.672" (1.7068 cm) deep; BACKBOX: 9.0" (22.860 cm) wide (9.25" [23.495 cm] including hinges), x 12.0" (30.480 cm) high x 2.75" (6.985 cm); CHASSIS (installed): 7.150" (18.161 cm) wide overall x 7.312" (18.5725 cm) high interior overall x 2.156" (5.4762 cm) deep overall.

**BB-6F:** Optional cabinet for up to six modules mounted on CHS-6 chassis (below). Dimensions, DOOR: 24.0" (60.96 cm) wide x 12.632" (32.0852 cm) high, x 1.25" (3.175 cm) deep, hinged at bottom; BACKBOX: 24.0" (60.96 cm) wide x 12.550" (31.877 cm) high x 5.218" (13.2537 cm) deep.

**CHS-6:** Chassis, mounts up to six modules in a BB-6F cabinet.

---

**FireLite®** and **LiteSpeed®** are registered trademarks of Honeywell International Inc.  
©2008 by Honeywell International Inc. All rights reserved. Unauthorized use of this document is strictly prohibited.

---



This document is not intended to be used for installation purposes.  
We try to keep our product information up-to-date and accurate.  
We cannot cover all specific applications or anticipate all requirements.  
All specifications are subject to change without notice.



Made in the U.S. A.

For more information, contact Fire•Lite Alarms. Phone: (800) 627-3473, FAX: (877) 699-4105.  
[www.firelite.com](http://www.firelite.com)