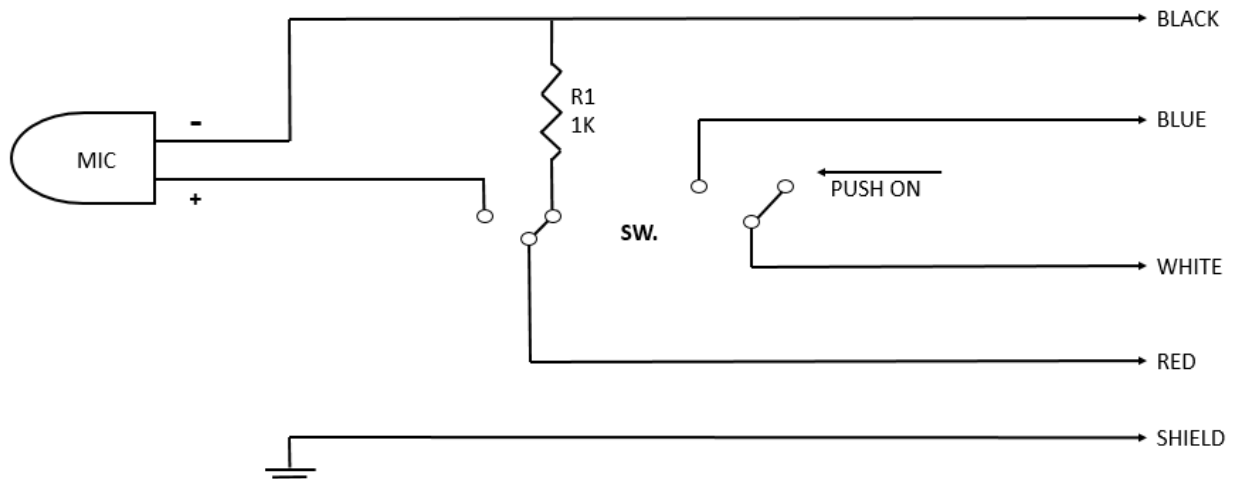




MGS1 Dynamic Gooseneck Microphone

Thank you for your choice of Speco Technologies' **MGS1** Microphone. This unit is designed and manufactured to provide an economical solution to broadcast voice throughout an installation. The sturdy construction ensures a long and versatile life.

STANDARD WIRING DIAGRAM:



SPECIFICATIONS:

- Type: Dynamic Microphone
- Directivity: Omni-Directional
- Impedance: 500 Ohms@1kHz, tolerance $\pm 30\%$
- Sensitivity: $-71\text{dB} \pm 3\text{dB}$ @ 1kHz re 0dB = 1 V/ μbar
- Frequency Response: 300 to 10,000Hz

Speco Technologies is constantly developing and improving products.

We reserve the right to modify product design and specifications without notice and without incurring any obligation.

Speco Technologies . 200 New Highway . Amityville . NY . 11701 . www.specotech.com