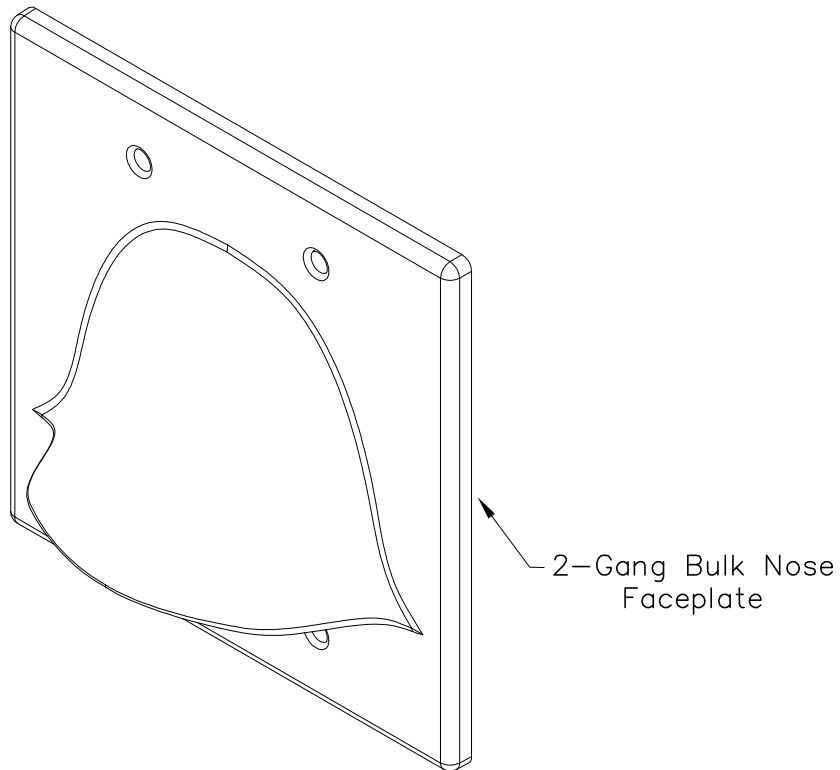


Double Gang Bulk Nose Faceplate

PRODUCT SPECIFICATION

Package includes:

- A. Double Gang Bulk Nose Faceplate, 1 pc
- B. #6-32 x 3/4" Oval Head, Countersink Machine Screw, 4 pcs



Features and Benefits:

- Configured to fit standard double gang low voltage outlet boxes
- Designed to accommodate connectorized cables used in residential and commercial applications
- Rugged and durable construction
- Glossy finish
- Available in white

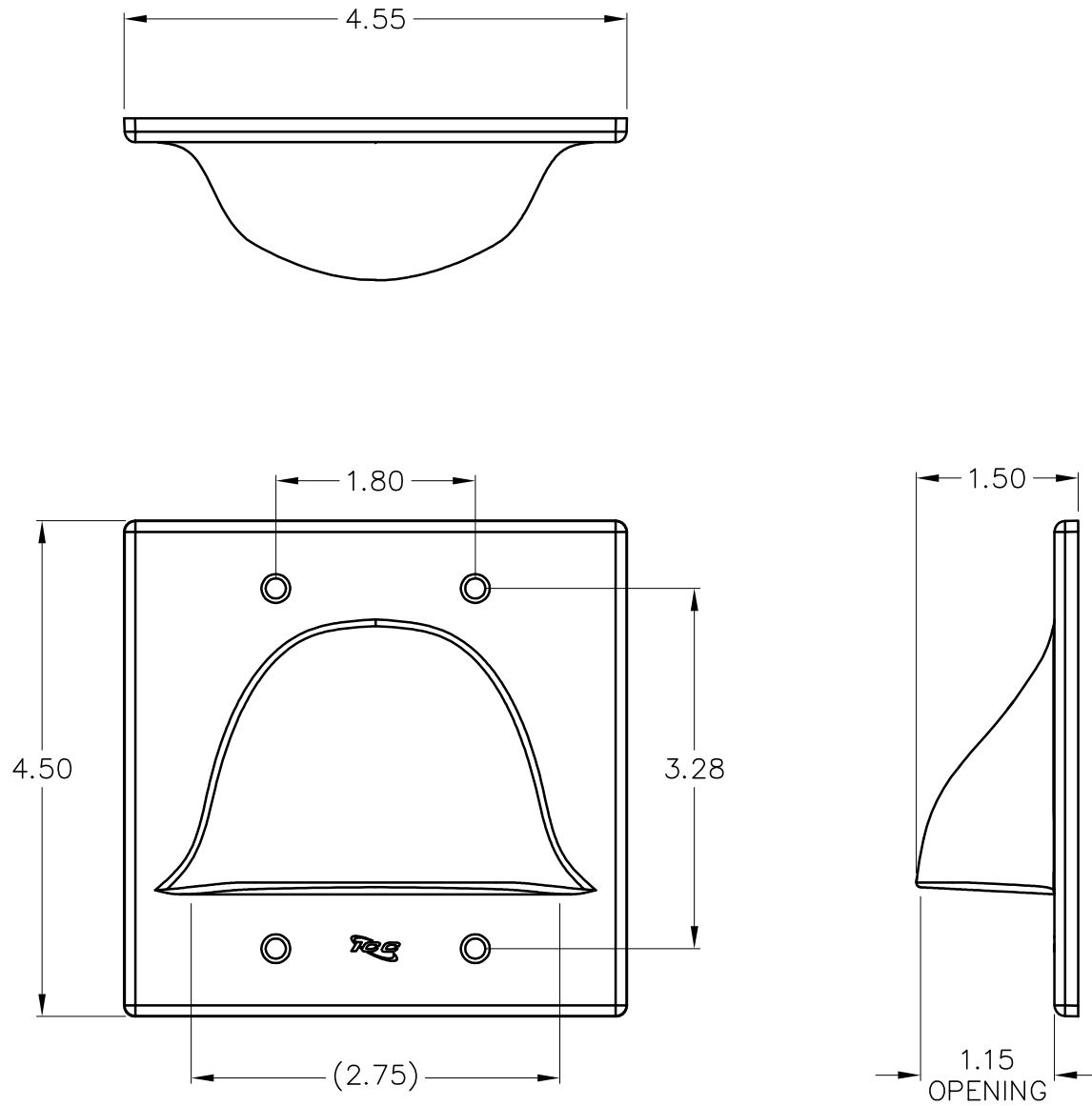
FACEPLATE, 2-GANG, BULK NOSE

ITEM NO. IC640BDSXX
DWG NO. PS640BDS00

REV. A
PAGE NO. 1




CUSTOMER CARE / TECHNICAL SUPPORT * CSR@ICC.COM / 888-ASK-4-ICC (275-4422) * 14700 Alondra Blvd., La Mirada, CA 90638 * www.icc.com



NOTE: UNLESS OTHERWISE SPECIFIED

- 1. MATERIAL: ABS, UL 94V-0
- 2. FINISH: GLOSSY
- 3. COLOR: XX: WH-WHITE

FACEPLATE, 2-GANG, BULK NOSE		 <i>PremiumProducts</i> <i>ProvenPerformance</i> <i>CompetitivePrices</i>
ITEM NO.	IC640BDSXX	
DWG NO.	PS640BDS00	PAGE NO. 2

CUSTOMER CARE / TECHNICAL SUPPORT * CSR@ICC.COM / 888-ASK-4-ICC (275-4422) * 14700 Alondra Blvd., La Mirada, CA 90638 * www.icc.com