

# I94

## 2MP Outdoor PTZ with D/N, Extreme WDR, ELLS, 30x Zoom Lens

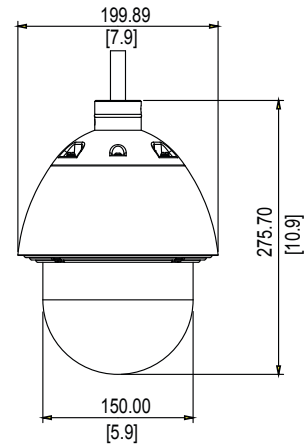


- 2 Megapixel with 1080p
- Day & Night with Extreme Low Light Sensitivity
- 30x Zoom Lens with f4.3 - 129mm / F1.6 - 5.0, DC Iris, Auto Focus
- Extreme WDR (145 dB)
- 30 fps at 1920 x 1080
- Pan & Tilt
- Weatherproof (IP67) and Vandal Proof Options (IK10 or IK09)

### PHOTO INDICATION



### DIMENSION DIAGRAM



Unit: mm [inch]

### ACCESSORY OPTIONS

Dome Cover		
PDCX-1005		Transparent, Vandal proof (IK10)
PDCX-1108		Smoked, Vandal proof (IK10)
High PoE Injector		
PPOE-0102		High PoE Injector with universal connector

Popular Mounting Solutions			
Wall	PMAX-0312 PMAX-0702		
Pendant	PMAX-0102		
Corner	PMAX-0312 PMAX-0702 PMAX-0402		+
Pole	PMAX-0312 PMAX-0702 PMAX-0503		+
Parapet	PMAX-0808		

\* For more mounting solutions, please refer to Project Planner on [www.acti.com](http://www.acti.com)

## PRODUCT SPECIFICATION

### • Device

Product Type	Outdoor PTZ Camera
Image Sensor	Progressive Scan CMOS
Sensor Size	1/2.8"
Effective Pixels	1944 (H) x 1224 (V) (2.38 MP)
Day / Night	Yes
Low Light Sensitivity	Extreme
Minimum Illumination	Color: 0.1 lux at F1.6 (30 IRE, 2400°K); B/W: 0.05 lux at F1.6 (30 IRE, 2400°K)
Color to B/W Switch	ISP based switch, configurable
Mechanical IR Cut Filter	Yes
IR Sensitivity Range	700- 1100nm
IR LED	No
Electronic Shutter	1/5 - 1/2,000 sec (manual mode); 1/5 - 1/10,000 sec (auto mode)
TV Lines	1800
S/N Ratio	56 dB

### • Lens

Focal Length	Zoom, f4.3 - 129mm / F1.6 - 5.0
Zoom Ratio / Speed	30x optical; 16x digital / 2.87 sec (1x to 30x)
Zoom Application	Camera Installation; Auto Zoom by Event; Manual Operation
Iris	DC iris
Focus	Auto focus
Horizontal Viewing Angle	66.4° ~ 2.61°

### • PTZ

Scan Panning / Tilting Speed	0.16° ~ 32°/s / 0.16° ~ 32°/s
Manual Panning / Tilting Speed	1.6° ~ 40.32°/s / 0.16° ~ 20.16°/s
Preset Panning / Tilting Speed	0.16° ~ 480°/s / 0.16° ~ 480°/s
Panning Range	0° ~ 360° (with Auto-flip)
Tilting Range	-20° ~ 200°
Control	Remote manual control; 256 preset points; 10 preset tours; Auto scan
Preset Panning / Tilting Accuracy	0.265°
Absolute Position	Yes
Protocol	ACTi URL command, Sony VISCA, Pelco D, Pelco P

### • Video

Compression	H.264 (Baseline / Main / High profile), MJPEG
Max. Frame Rate vs. Resolution	30 fps at 1920 x 1080; 30 fps at 1280 x 720; 30 fps at 800 x 600; 30 fps at 640 x 480; 15 fps at 320 x 240
Multi-Streaming	Simultaneous dual streams based on two configurations
Bit Rate	28 Kbps - 6 Mbps (per stream)
Bit Rate Mode	Constant, Variable
Image Enhancement	Extreme WDR (145 dB); White balance: automatic, hold and manual; Brightness; Contrast; Sharpness; Automatic gain control; 2D+3D digital noise reduction; Flickerless; Defogging; Digital image stabilizer
Privacy Mask	32 configurable regions
Text Overlay	User defined text on video
Image Orientation	Image flip and mirror

### • Audio

Audio	2-way
Compression	8 kHz, Mono, PCM, 16 bit encoding; G.711
Audio-In	Cable without connector
Audio-Out	Cable without connector

### • Network

Protocol & Service	TCP, UDP, HTTP, HTTPS, DHCP, PPPoE, RTP, RTSP, IPv4, IPv6, DNS, DDNS, NTP, ICMP, ARP, IGMP, SMTP, FTP, UPnP, SNMP, Bonjour, Sony VISCA, Pelco D, Pelco P
Ethernet Port	1, Ethernet (10/100Base-T), RJ-45 connector
Security	IP address filtering; HTTPS encryption; Password protected user level; Anonymous login; IEEE 802.1X network access control

### • Alarm

Alarm Trigger	Video motion detection (3 regions); External device through digital input; Sound detection
Alarm Response	Notify control center; Go to PTZ preset point or preset tour; Change camera settings; Command other devices; E-mail notification with snapshots; Save video or snapshot to local storage; Upload video or snapshot to FTP server; Activate external device through digital output

### • Interface

Digital Input	4, cable without connector
Digital Output	2, cable without connector
Local Storage	MicroSDHC/MicroSDXC memory card slot (card not included)

### • General

Power Source / Consumption	High PoE (IEEE802.3at) / 25.44 W (built-in heater and fan on) AC 24V / 31.5 W (built-in heater and fan on)
Weight	2500 g ( 5.51 lb)
Dimensions (Φ x H)	200 mm x 276 mm (7.9" x 10.9")
Environmental Casing	Weatherproof (IP67); Vandal proof casing (IK10); Bundled dome cover (IK09); Optional dome cover (IK10)
Mount Type	Pendant, Wall, Corner, Pole, NPT standard mounts
Starting Temperature	-40°C ~ 50°C (-40°F ~ 122°F ) within 30mins
Operating Temperature	-40°C ~ 50°C (-40°F ~ 122°F )
Operating Humidity	10% ~ 85% RH
Bundled Accessories	High PoE injector (for USA) or Power Adapter (for other countries) CE (EN 55022 Class B, EN 55024), FCC (Part15 Subpart B Class B), IP67, IK09 (default dome cover), IK10 (PDCX-1005 or PDCX-1108 required), NEMA 4X, ETL Listed, UL (for bundled PoE injector or power adapter)
Approvals	

### • Integration

Unified Solution	Fully compatible with ACTi software
ISV Integration	Software Development Kit (SDK) available; ONVIF Compliant
GPS Position	Manual setting
Firmware Access Browser	Microsoft Internet Explorer 11