

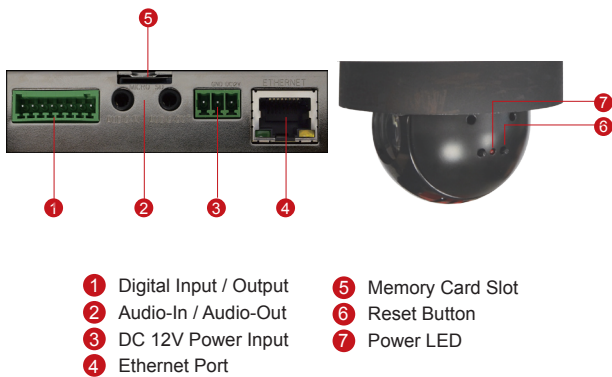
I92

2MP Indoor PTZ with D/N, Extreme WDR, ELLS, 30x Zoom Lens

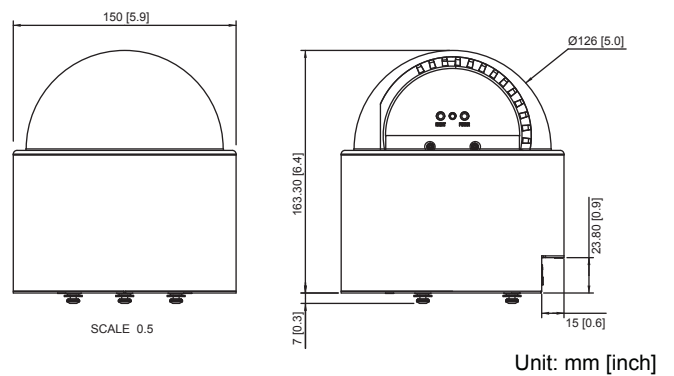


- 2 Megapixel with 1080p
- Day & Night with Extreme Low Light Sensitivity
- 30x Zoom Lens with f4.3 - 129mm / F1.6 - 5.0, DC Iris, Auto Focus
- Extreme WDR (145 dB)
- 30 fps at 1920 x 1080
- Pan & Tilt
- Vandal Resistant (IK09)


PHOTO INDICATION



DIMENSION DIAGRAM



ACCESSORY OPTIONS

Dome Cover		
PDCX-1105		Indoor PTZ Smoked Dome Cover Vandal Resistant (IK09)

High PoE Injector		
PPOE-0101		High PoE Injector with universal connector

Popular Mounting Solutions		
Surface	Bundled surface mount	
Wall	PMAX-0311	
Pendant	PMAX-0110 PMAX-0103	
Flush	PMAX-1010	

* For more mounting solutions, please refer to Project Planner on www.acti.com

PRODUCT SPECIFICATION

• Device

Product Type	Indoor PTZ Camera
Image Sensor	Progressive Scan CMOS
Sensor Size	1/2.8"
Effective Pixels	1944 (H) x 1224 (V) (2.38 MP)
Day / Night	Yes
Low Light Sensitivity	Extreme
Minimum Illumination	Color: 0.1 lux at F1.6 (30 IRE, 2400°K); B/W: 0.05 lux at F1.6 (30 IRE, 2400°K)
Color to B/W Switch	ISP based switch, configurable
Mechanical IR Cut Filter	Yes
IR Sensitivity Range	700 -1100nm
IR LED	No
Electronic Shutter	Manual mode: 1/13 ~ 1/2,000 sec (50Hz); 1/15 ~ 1/2,000 sec (60Hz) Auto mode: 1/13 ~ 1/10,000 sec (50Hz); 1/15 ~ 1/10,000 sec (60Hz)
Horizontal Resolution	1800 TVL
S/N Ratio	56 dB

• Lens

Focal Length	Zoom, f4.3 - 129mm / F1.6 - 5.0
Zoom Ratio	30x optical; 16x digital
Zoom Speed	2.87 sec (1x to 30x)
Iris	DC iris
Focus	Auto focus
Horizontal Viewing Angle	66.4° - 2.68°

• PTZ

Scan Panning / Tilting Speed	0.16° ~ 32°/s / 0.16° ~ 32°/s
Manual Panning / Tilting Speed	1.6° ~ 40.32°/s / 0.16° ~ 20.16°/s
Preset Panning / Tilting Speed	0.16° ~ 480°/s / 0.16° ~ 480°/s
Panning Range	0° - 360° (with Auto-flip)
Tilting Range	0° - 180°
Control	Remote manual control; 256 preset points; 10 preset tours; Auto scan
Preset Panning / Tilting Accuracy	0.265°
Absolute Position	Yes
Protocol	ACTi URL command, Sony VISCA, Pelco D, Pelco P

• Video

Compression	H.264 (Baseline / Main / High profile), MJPEG
Max. Frame Rate vs. Resolution	30 fps at 1920 x 1080; 30 fps at 1280 x 720; 30 fps at 800 x 600; 30 fps at 640 x 480; 15 fps at 320 x 240
Multi-Streaming	Simultaneous dual streams based on two configurations
Bit Rate	28 Kbps - 6 Mbps (per stream)
Bit Rate Mode	Constant, Variable
Image Enhancement	Extreme WDR (145 dB); White balance: automatic, hold and manual; Brightness; Contrast; Sharpness; Automatic gain control; 2D+3D digital noise reduction; Flickerless; Defogging; Digital image stabilizer
Privacy Mask	32 configurable regions
Text Overlay	User defined text on video
Image Orientation	Image flip and mirror

• Audio

Compression	8 kHz, Mono, PCM, 16 bit encoding; G.711
Audio-In	3.5mm Phone jack
Audio-Out	3.5mm Phone jack

• Network

Protocol & Service	TCP, UDP, HTTP, HTTPS, DHCP, PPPoE, RTP, RTSP, IPv4, IPv6, DNS, DDNS, NTP, ICMP, ARP, IGMP, SMTP, FTP, UPnP, SNMP, Bonjour, Sony VISCA, Pelco D, Pelco P
Ethernet Port	1, Ethernet (10/100Base-T), RJ-45 connector
Security	IP address filtering; HTTPS encryption; Password protected user levels; Anonymous login; IEEE 802.1X network access control

• Alarm

Alarm Trigger	Video motion detection (3 regions); External device through digital input; Sound detection
Alarm Response	Notify control center; Go to PTZ preset point or preset tour; Change camera settings; Command other devices; E-mail notification with snapshots; Save video or snapshot to local storage; Upload video or snapshot to FTP server; Activate external device through digital output

• Interface

Digital Input	2, Terminal block
Digital Output	2, Terminal block
Local Storage	MicroSDHC/MicroSDXC memory card slot (card not included)

• General

Power Source / Consumption	High PoE (IEEE802.3at) / 12.94 W; DC 12V / 11.22 W
Weight	1546 g (3.41 lb)
Dimensions (Φ x H)	150mm x 163.3 mm (5.9" x 6.4")
Bundled Accessories	Surface mount, Power adapter
Environmental Casing	Vandal resistant (IK09); Transparent dome cover
Mount Type	Surface, Flush, Pendant, Wall, Corner, Pole
Starting Temperature	-10°C ~ 50°C (14°F ~ 122°F)
Operating Temperature	-10°C ~ 50°C (14°F ~ 122°F)
Operating Humidity	10% ~ 85% RH
Approvals	Camera: CE (EN 55022 Class B, EN 55024), FCC (Part15 Subpart B Class B), IK09 Adapter: CE, FCC, UL, PSE, Efficiency Level V

• Integration

Unified Solution	Fully compatible with ACTi software
ISV Integration	Software Development Kit (SDK) available; ONVIF Compliant
GPS Position	Manual setting
Firmware Access Browser	Microsoft Internet Explorer 8.0 or newer (full functionality); Safari with QuickTime installed, and other browsers with VLC installed (partial functionality)