

HFD40HD4

WDR 4MP Fisheye Camera





HFD40HD4

OPERATIONAL	
VIDEO STANDARD	NTSC/PAL
SCANNING SYSTEM	Progressive scan
IMAGE SENSOR	1/3" 4.1 MP CMOS
EFFECTIVE PIXELS (H × V)	2688 × 1520
MINIMUM ILLUMINATION	0.01Lux/F2.0 (Color), 0.001lux/F2.0(B/W)
S/N RATIO	>65 dB
ELECTRONIC SHUTTER SPEED	NTSC: 1/3 – 1/100,000 s PAL: 1/4 – 1/100,000 s
RESOLUTION	4MP (2560 × 1440)
FRAME RATE	25 fps @ 4MP
VIDEO OUTPUT	1-channel BNC HDCVI high definition video output & 1-channel BNC CVBS video output
IR DISTANCE	N/A
DAY/NIGHT	Auto (Electronic)/Manual
BACKLIGHT COMPENSATION	BLC/HLC/WDR
WHITE BALANCE LENS	Auto/Manual
GAIN CONTROL	AGC
WIDE DYNAMIC RANGE	120 dB
NOISE REDUCTION	2DNR/3DNR
PRIVACY MASKING	Up to 8 configurable areas
LENS	1.18 mm lens, F2.0
HORIZONTAL ANGLE OF VIEW	180°
AUDIO	N/A

ELECTRICAL	
POWER SUPPLY	12 VDC ±25%
POWER CONSUMPTION	2.2 W max. (DC 12V)
MECHANICAL	
DIMENSIONS	Ø 4.3" × 2.2" (Ø 110 mm × 56 mm)
PRODUCT WEIGHT	0.9 lb. (0.41 kg)
PACKAGE WEIGHT	0.99 lb. (0.45 kg)
CONSTRUCTION	Die-cast aluminum housing with powder coat
CONSTRUCTION COLOR	RAL 9003 (White)
ENVIRONMENTAL	
OPERATING TEMPERATURE	-22°F to 140°F (-30°C to 60°C)
COLD START	Startup should be done at above -22°F (-30°C)
STORAGE TEMPERATURE	-22°F to 140°F (-30°C to 60°C)
RELATIVE HUMIDITY	Less than 90%, non-condensing
IMPACT RESISTANCE	IK10
REGULATORY	
EMISSIONS	FCC, Part 15B, EN55032:2012 +AC:2013
IMMUNITY	EN50130-4:2011
SAFETY	EU: EN60950-1
ROHS	EN50581:2012

WDR 4MP Fisheye Camera

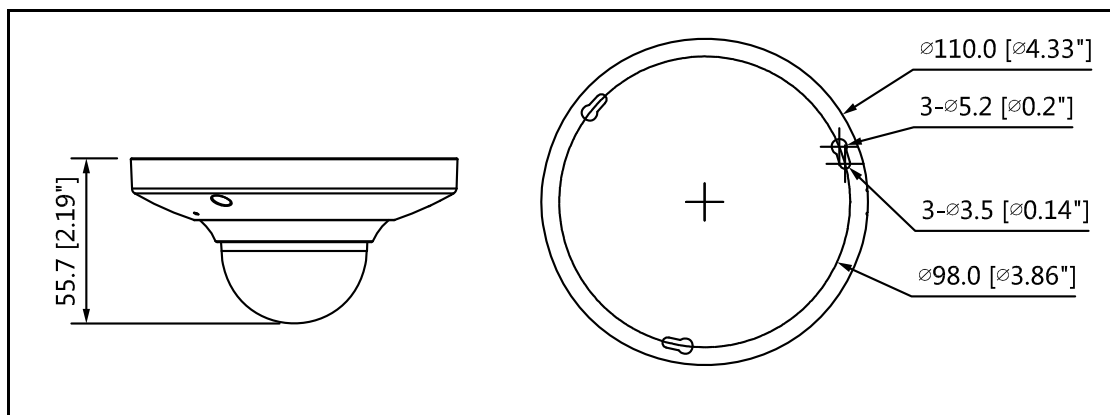
RECOMMENDED ACCESSORIES

SYSTEM COMPATIBILITY		HOUSING AND MOUNTS	
HRHT404* HQA DVRS	4 MP, 4-channel, 4 MP@15 fps, 1080p@30/25 fps, 1 SATA, Hybrid HQA DVRS	HQA-WK	 Wall Mount Adapter
HRHT408* HQA DVRS	4 MP, 8-channel, 4 MP@15 fps, 1080p@30/25 fps, 2 SATA, Hybrid HQA DVRS	HQA-PM2	 Pole Mount Adapter
HRHT416* HQA DVRS	4 MP, 16-channel, 4 MP@15 fps, 1080p@30/25 fps, 2 SATA, Hybrid HQA DVRS		

ORDERING	
HFD40HD4	WDR 4MP Fisheye Camera, 1/3" 4 MP CMOS, 1.18 mm MFZ Lens, 12 VDC, IP66, IK10

* Pre-installed storage (TB).

DIMENSIONS



For more information

www.honeywell.com/security

Honeywell Security and Fire

2700 Blankenbaker Pkwy, Suite 150
 Louisville, KY 40299
 1.800.323.4576
www.honeywell.com

Honeywell reserves the right, without notification, to make changes in product design or specifications.

L/HFD40HD4D/D | 06/18
 © 2018 Honeywell International Inc.

Honeywell