

HB30XD2/HB41XD2

TDN 1080p IR Bullet Camera




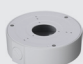


OPERATIONAL	
VIDEO STANDARD	NTSC/PAL
SCANNING SYSTEM	Progressive scan
IMAGE SENSOR	1/2.9" 2 MP CMOS
NUMBER OF PIXELS (H × V)	1920 × 1080
MINIMUM ILLUMINATION	HB30XD2: 0.02 lux color @ F2.0, 0 lux B/W with IR LEDs on @ F2.0 HB41XD2: 0.02 lux color @ F1.4, 0 lux B/W with IR LEDs on @ F1.4
S/N RATIO	> 65 dB
ELECTRONIC SHUTTER SPEED	NTSC: 1/30 – 1/100,000 s PAL: 1/25 – 1/100,000 s
RESOLUTION	1080p (1920 × 1080)
FRAME RATE	25/30 fps @ 1080p 25/30/50/60 fps @ 720p
VIDEO OUTPUT	1-channel BNC CVI/TVI/AHD/CVBS video output
IR DISTANCE	Up to 98 ft. (30 m), depending on scene reflectance
NUMBER OF IR LEDES	HB30XD2: 18 IR LEDs HB41XD2: 20 IR LEDs
SMART IR	Auto/Manual
DAY/NIGHT	Auto (ICR)/Manual
BACKLIGHT COMPENSATION	BLC/HLC/DWDR
WHITE BALANCE	Auto/Manual
GAIN CONTROL	AGC
WIDE DYNAMIC RANGE	DWDR
NOISE REDUCTION	2DNR
PRIVACY MASKING	Up to 8 configurable areas
LENS	HB30XD2: 3.6 mm, fixed lens, F2.0 HB41XD2: 2.7 – 13.5 mm, vari-focal lens, F1.4
HORIZONTAL ANGLE OF VIEW	HB30XD2: 82.8° HB41XD2: 104° ~ 27.5°
AUDIO	N/A

ELECTRICAL	
POWER SUPPLY	12 VDC ±25%
POWER CONSUMPTION	HB30XD2: 2.8 W max. (IR LEDs on) HB41XD2: 2.5 W max. (IR LEDs on)
MECHANICAL	
DIMENSIONS	HB30XD2: 6.49" × 2.74" × 2.79" (164.8 mm × 69.7 mm × 71.0 mm) HB41XD2: 8.46" × 3.56" × 3.56" (214.8 mm × 90.4 mm × 90.4 mm)
PRODUCT WEIGHT	HB30XD2: 0.77 lb. (0.35 kg) HB41XD2: 1.21 lb. (0.55 kg)
PACKAGE WEIGHT	HB30XD2: 1.06 lb. (0.48 kg) HB41XD2: 1.50 lb. (0.68 kg)
CONSTRUCTION	Die-cast aluminum housing with powder coat
CONSTRUCTION COLOR	RAL 9003 (White)
ENVIRONMENTAL	
OPERATING TEMPERATURE	-40°F to 140°F (-40°C to 60°C)
COLD START	Startup should be done at above -40°F (-40°C)
STORAGE TEMPERATURE	-40°F to 140°F (-40°C to 60°C)
RELATIVE HUMIDITY	Less than 90%, non-condensing
INGRESS PROTECTION	IP66
REGULATORY	
EMISSIONS	EN55032, ANSI C63.4-2014
IMMUNITY	EN50130-4
SAFETY	EU: EN60950-1
ROHS	EN50581

TDN 1080p IR Bullet Cameras

RECOMMENDED ACCESSORIES

SYSTEM COMPATIBILITY		HOUSING AND MOUNTS	
HRHQ104* HQA DVRS	4-channel, 720p@120/100 fps, 1080p@60/50 fps, 1 SATA, alarm I/O	HQA-PM2**	 Pole Mount Adapter
HRHQ108* HQA DVRS	8-channel, 720p@240/200 fps, 1080p@120/100 fps, 2 SATA, alarm I/O	HB34S2-CM**	 Corner Mount Adapter
HRHQ116* HQA DVRS	16-channel, 720p@480/400 fps, 1080p@240/200 fps, 2 SATA, alarm I/O	HBS2-BB	 Junction Box
		HEJB	 Junction Box (HB30XD2 only)

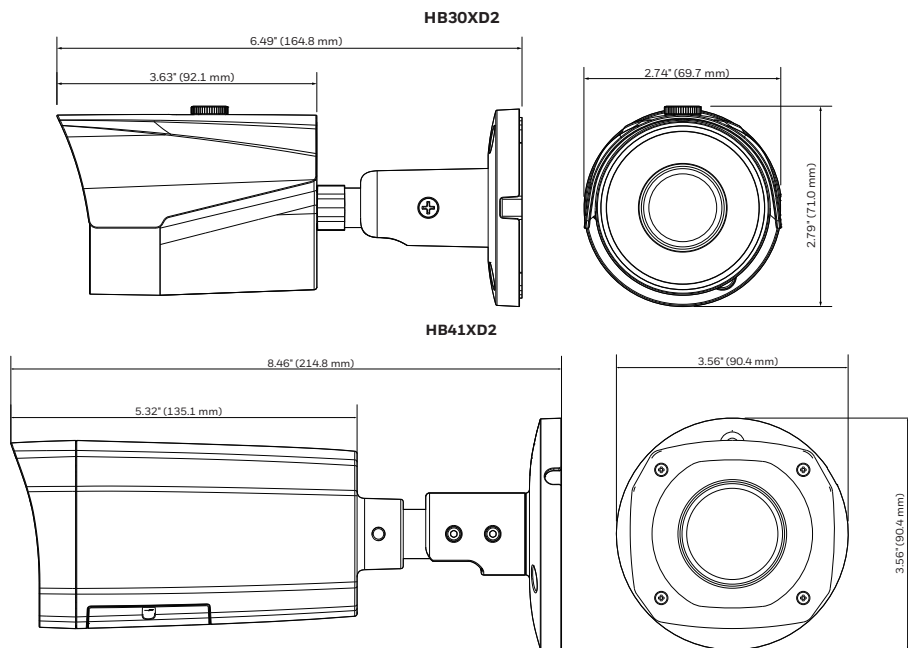
* Pre-installed storage (TB).

** The HBS2-BB or HEJB junction box must be used when installing the camera to HQA-PM2 or HB34S2-CM.

ORDERING

HB30XD2	TDN 1080p IR Bullet Camera, 1/2.9" 2 MP CMOS, 3.6 mm Fixed Lens, 18 IR LEDs, 12 VDC, IP66
HB41XD2	TDN 1080p IR Bullet Camera, 1/2.9" 2 MP CMOS, 2.7–13.5 mm Vari-focal Lens, 20 IR LEDs, 12 VDC, IP66

DIMENSIONS



For more information

www.security.honeywell.com

Honeywell Commercial Security

715 Peachtree St. NE
Atlanta, GA 30308
1.800.323.4576
www.honeywell.com

Honeywell reserves the right, without notification, to make changes in product design or specifications.

L/HB30XD2D/D | 04/19
© 2019 Honeywell International Inc.

Honeywell