



HD ONVIF | S | G | Q

# H3W2GR1V H3W4GR1V

2MP/4MP Network TDN Low-Light WDR Indoor Dome

OPERATIONAL	
VIDEO STANDARD	NTSC/PAL
SCANNING SYSTEM	Progressive scan
IMAGE SENSOR	<b>H3W2GR1V:</b> 1/2.8" 2Megapixel progressive scan CMOS <b>H3W4GR1V:</b> 1/3" 4Megapixel progressive scan CMOS
NUMBER OF PIXELS (H × V)	2MP - 1920x1080
MINIMUM ILLUMINATION @ F1.6	<b>H3W2GR1V:</b> 0.001Lux (IR off), 0Lux (In B/W & IR on) <b>H3W4GR1V:</b> 0.01Lux (IR off), 0Lux (In B/W & IR on)
S/N RATIO	50db minimum
ELECTRONIC SHUTTER SPEED	Auto/Manual, 1/3~1/100000s
IR DISTANCE	30m
DAY/NIGHT	Mechanical ICR (ON / OFF / AUTO selectable)
BACKLIGHT COMPENSATION	BLC / HLC / WDR / SAC(Scene Adaptive Control)
WIDE DYNAMIC RANGE(WDR)	120dB (50/60fps off)
WHITE BALANCE	Auto/Natural/Street Lamp/Outdoor/Manual/Customize Region
GAIN CONTROL	Auto/Manual
NOISE REDUCTION	3D Noise Reduction (ON / OFF selectable)
PRIVACY MASKING	Up to 4 configurable areas
DEFOG	Auto/Manual/Off
LENS	2.7-13.5 mm MFZ, DC IRIS, optical zoom 5x lens F1.6
ANGLE OF VIEW	<b>H3W2GR1V:</b> FOV depending on different resolution H: 110° - 32°, V: 59° - 19° <b>H3W4GR1V:</b> FOV depending on different resolution H: 110° - 30°, V: 53° - 18°
AUDIO/TWO-WAY	Line In/Out, 1 built-in Mic
ALARM INPUT/OUTPUT	2 In / 1 Out
ANALOG OUTPUT SUPPORT	Supported
ETHERNET	RJ-45 (10/100Base-T)
IP SPECIFICATIONS	
VIDEO COMPRESSION	H.265+, H.265, H.264 and MJPEG bit rate control (CBR and VBR)
RESOLUTION	<b>16:9</b> <b>H3W2GR1V:</b> 1080p (1920×1080)/ 720p (1280×720) <b>H3W4GR1V:</b> 3M (2304×1296)/1080p (1920×1080)/ 720p (1280×720)
	<b>4:3</b> 1.3M (1280×960)/VGA (640×480)
	<b>OTHER</b> <b>H3W2GR1V:</b> D1 (704×576/704×480)/ CIF (352×288/352×240) <b>H3W4GR1V:</b> 4M(2688x1520)/(2560x1440), /D1 (704×576/704×480)/ CIF(352×288/352×240)
FRAME RATE	<b>MAIN STREAM</b> <b>H3W2GR1V:</b> 1080P(1~50/60fps WDR off) <b>H3W4GR1V:</b> 4M(1~25/30fps)
	<b>SUB STREAM</b> H3W2GR1V: D1(1~50/60fps WDR off) H3W4GR1V: D1(1~25/30fps)
	<b>THIRD STREAM</b> <b>H3W2GR1V:</b> 1080P(1~25/30fps) <b>H3W4GR1V:</b> 4M(1~25/30fps) <b>H3W2GR1V:</b> Simultaneous Main stream and Third stream at 1080P (Main stream +Third stream <=68fps, WDR off, 2nd stream off) <b>H3W4GR1V:</b> Simultaneous Main stream and Third stream at 4MP (Main stream +Third stream <=34fps, 2nd stream off)
AUDIO COMPRESSION	G.711a/ G.711Mu/ AAC/G.726
AUDIO STREAM	Full duplex, simplex

IP SPECIFICATIONS		
SUPPORTED WEB BROWSERS	IE11/Chrome (with application)/Firefox (earlier than 52.0 version)	
SUPPORTED OS	Windows® 7 32-bit/64-bit; Windows® 10 32-bit/64-bit	
SUPPORTED PROTOCOLS*	HTTP; HTTPS; TCP; ARP; RTSP; RTP; UDP; SMTP; FTP; DHCP; DNS; DDNS; PPPoE; IPv4/v6; QoS; UPnP; NTP; Bonjour; 802.1x; Multicast; ICMP; SNMP; SFTP	
COMPATIBILITY	ONVIF Profile S, G and Q	
MAXIMUM USERS ACCESS	20 users	
SECURITY	User account and password protection HTTPS, IP Filter, IEEE 802.1x, Digest authentication, User access log, TLS1.2, AES-256, SSH/Telnet closed, FTP disabled, PCI-DSS compliance, Hardware chipset for private key	
	EVENT TYPE	Motion Detection/Video Tampering/Face Detection/ SD Card Error/SD Card Capacity Warning/Audio Detection/ Object Abandoned/Object Missing/ Tripwire/Intrusion
	EVENT LINKAGE	Recording on SD card, Relay output, Email, Snapshot
BUILT-IN ALARM & EVENT	EVENT OUTPUT ONVIF, ISOM	
MICRO SD	Micro SDHC Capacity Max 32GB Micro SDXC Capacity Max 128GB	
MICRO SD FUNCTION	Event trigger recording Continuous and scheduled recording Automatic recording when network fails	
LANGUAGES SUPPORTED	English, Arabic, Czech, Dutch, French, German, Italian, Japanese, Korean, Polish, Portuguese, Russian, Simplified Chinese, Spanish, Turkish	
ELECTRICAL		
POWER SUPPLY	PoE(802.3af) Class 0/12VDC/24VAC	
LONG DISTANCE POE SUPPORT	3X POE (300m @100Mbps)	
AC FREQUENCY	50/60 Hz	
POWER CONSUMPTION	<b>H3W2GR1V:</b> 11W <b>H3W4GR1V:</b> 10.5W	
AUXILIARY POWER SUPPLY	2.0W, DC12V (+/-5%)	
MECHANICAL		
DIMENSIONS	4.96 × 4.80 in. (126.0 × 122.0 mm)	
WEIGHT	<b>H3W2GR1V:</b> Product weight: 1.14lb (519g) Package Weight: 2.07lb (937g)	
	<b>H3W4GR1V:</b> Product weight: 1.14lb (516g) Package Weight: 2.04lb (924g)	
VANDAL RESISTANCE	IK10 (bubble only)	
CONSTRUCTION	Plastic	
CONSTRUCTION COLOR	RAL 9003 (White)	
ENVIRONMENTAL		
OPERATING TEMPERATURE	-22°F to 140°F (-30°C to 60°C)	
RELATIVE HUMIDITY	0% to 95%, non-condensing	
REGULATORY		
EMISSIONS	FCC Part 15, CE (EN 55032); Complies with RCM (AS/ NZS)	
IMMUNITY	CE (EN 50130-4)	
SAFETY	North America UL Listed to UL/CSA 60950-1, CE (EN 60950-1)	
ROHS	EN50581	

\* Some development may be required in specific user cases to support some of these protocols in the field as they mature over time.

# 2MP/4MP Network TDN Low-Light WDR Indoor Dome

## RECOMMENDED ACCESSORIES

### SYSTEM INTEGRATION

ONVIF support and open API software integration. Refer to [www.onvif.org](http://www.onvif.org) for the ONVIF specification and the Honeywell Open Technology Alliance website (<http://www.security.honeywell.com/hota/>) to learn more about our open and integrated solutions.



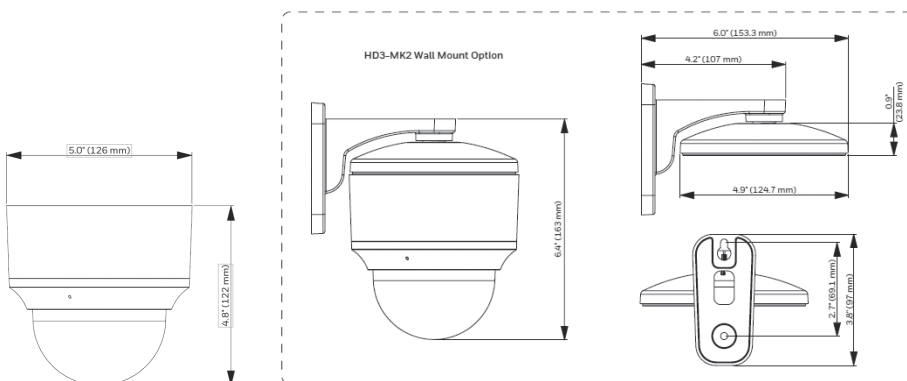
### HOUSINGS AND MOUNTS

H3G-CB		Replacement Dome (Clear)
H3G-SB		Replacement Dome (Smoke)
HD3-MK2		Wall Mount Bracket
HPOE3X		3X Long Distance POE Switch
HLR1001		IP over Coax Converter
4S BOX		4S Box (Depth no less than 2-1/8", need to purchase from market)
HD3IP-5K1+HD5-MK2 + HD5CBL/HD5CWH/HD5TBL/HD5TWH		Plenum Box

### ORDERING

<b>H3W2GR1V</b>	2MP Network Low-Light Indoor Dome Camera, TDN, WDR 120dB, 1/2.8" CMOS, 2.7-13.5mm MFZ lens, 2 IR LEDs, H.265, PoE, microphone
<b>H3W4GR1V</b>	4MP Network Low-Light Indoor Dome Camera, TDN, WDR 120dB, 1/3" CMOS, 2.7-13.5mm MFZ lens, 2 IR LEDs, H.265, PoE, microphone

## DIMENSIONS



### For more information

[www.security.honeywell.com](http://www.security.honeywell.com)

### Honeywell Commercial Security

715 Peachtree St. NE  
Atlanta, GA 30308  
1.800.323.4576  
[www.honeywell.com](http://www.honeywell.com)

ONVIF and the ONVIF logo are trademarks of ONVIF Inc. Honeywell reserves the right, without notification, to make changes in product design or specifications.

HSV-H3WxGR1V-04-US(O419)DS-Z  
© 2019 Honeywell International Inc.