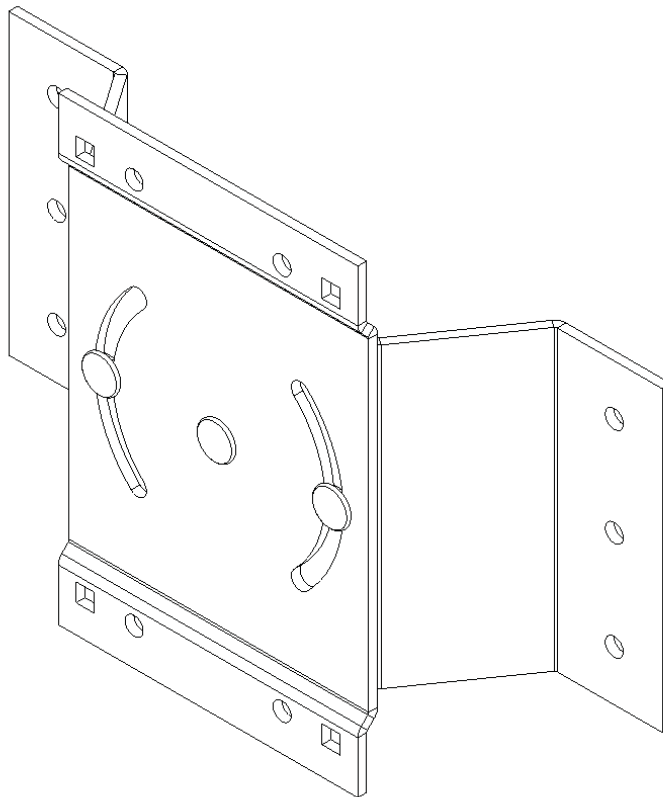


WMP

VIDEO MOUNT PRODUCTS

Instruction Sheet For:

GEM-1

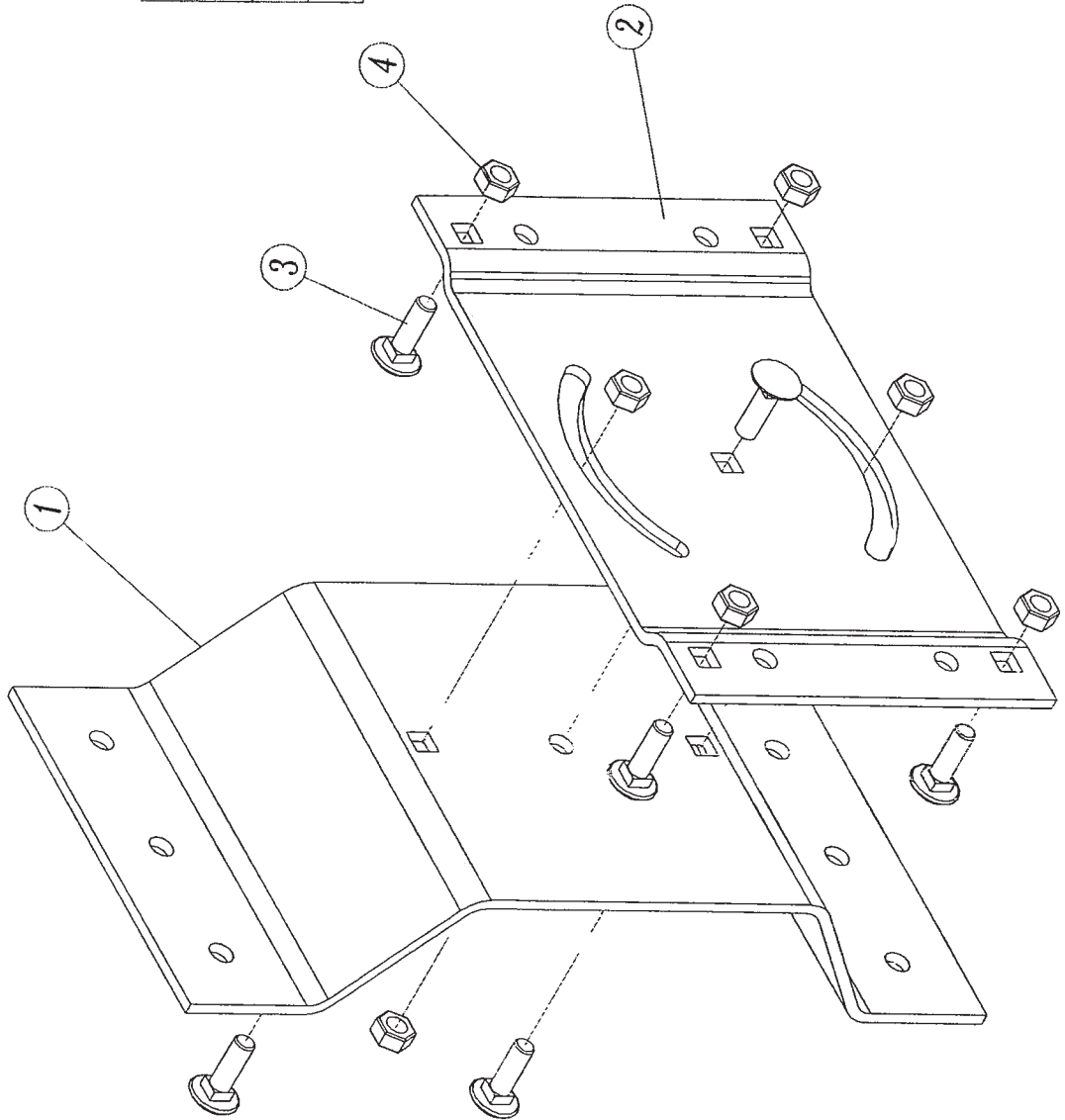


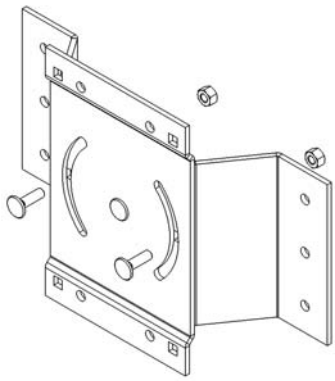
For more information, please contact us at:
345 Log Canoe Circle, Stevensville, Maryland 21666
Toll Free: 877.281.2169 Phone: 410.643.6390 Fax: 410.643.6615
www.videomount.com

VMP
 VIDEO MOUNT PRODUCTS
 DBS CABLE END MOUNT

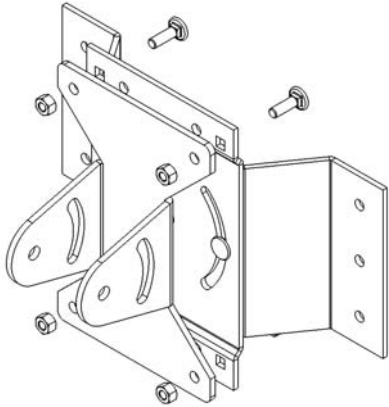
*** GEM-1 ***

1	BASE PLATE	1
2	CONNECTED PLATE	1
3	CARRIAGE SCREW M6*P1.0*L20MM	7
4	NUT M6*P1.0	7

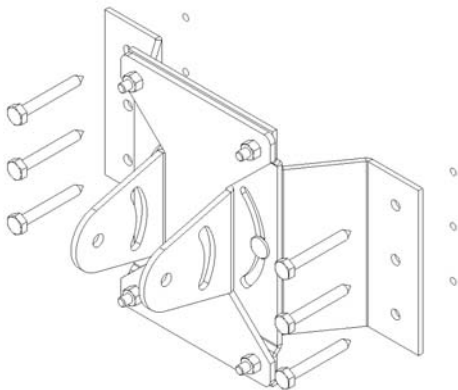




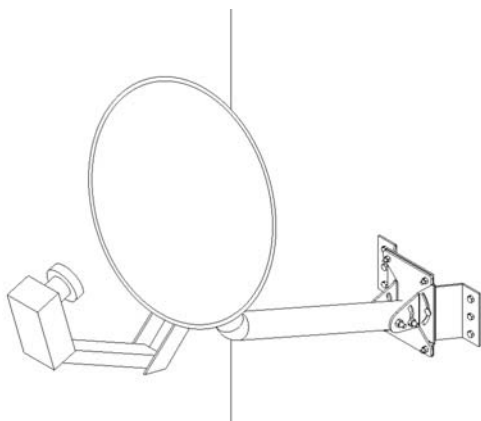
Step 2: Securing the swivel plate



Step 3: Attaching the satellite dish base to the swivel plate



Step 4: Mounting the base plate to the mounting surface



Step 5: Attaching the rest of the satellite dish to the satellite dish base

Step 1

Before starting, lay out all parts to your mount and match them to the parts list provided. Verify that you have all your parts before attempting to assemble the mount. **Note: It is highly recommended that the installation of the mount be done by a professional.**

Step 2

Secure the swivel plate using two carriage screws and hex nuts in the arc slots in the swivel plate.

Step 3

Attach the satellite dish base plate to the swivel plate using the carriage screws and hex nuts.

Step 4

Mark the wall or desired mounting surface in preparation of installation of the base plate. Pre-drill if necessary and mount the base plate to desired surface. **Warning: Please verify that your mounting surface will support the combined weight of your mount, mounting hardware, and dish. Also verify that the mounting surface is safe to drill through. If in doubt, please contact a professional installer.**

Step 5

Attach the remainder of the satellite dish to the satellite dish base using the hardware provided with the satellite dish.

Please verify that all nuts and screws are securely tightened.



Enjoy Your Mount!

WARNING: The installer must verify the installation meets all applicable codes and survival requirements. Video Mount Products will not be held liable for the improper use or installation of its products.