

**Lower
Current
Draw!!**

**GENTEX
CORPORATION**

Commander³ Series Selectable Candela Evacuation Signals

Applications

The Commander³ Series is a low profile strobe and horn/strobe combination that offers dependable audible and visual alarms and the lowest current available.

The GE3 Series 24VDC offers tamperproof field selectable candela options of 15, 30, 60, 75, and 110 candela. The 12VDC offers tamperproof field selectable candela options of 15, 30, 60, and 75 candela.

The Commander³ Series horn offers a continuous or synchable temporal three in 2400Hz and mechanical tone, a chime and whoop tone. All tones are easy for the professional to change in the field by using switches.

The GE3 Series has a minimal operation current and has a minimum flash rate of 1Hz regardless of input voltage.

The Commander³ Series is shipped with the standard 4" metal mounting plate which incorporates the popular Super-Slide[®] feature that allows the installer to easily test for supervision. The product also features a locking mechanism which secures the product to the bracket without any screws showing.

The Commander³ also features the Checkmate[®] - Instant Voltage Verification feature which allows the installer to check the voltage drop draw and match it to the blueprint.

The GE3 Series appliances are ANSI/UL 464 and ANSI/UL 1971, listed for use with fire protective systems and are warranted for three years from date of purchase.

Standard Features

- Nominal voltage 12VDC and 24VDC
- 24VDC units have field selectable candela options of 15, 30, 60, 75 & 110
- 12VDC units have field selectable candela options of 15, 30, 60 & 75
- GEH horn is available in 12VDC or 24VDC
- Super-Slide[®] Bracket - Ease of Supervision Testing
- Checkmate[®] - Instant Voltage Verification
- **Unit Dimensions:** 5" high x 4.5" wide x 2.5" deep
- Synchronize strobe and/or horn with Gentex AVSM Control Module
- Prewire entire system, then install signals
- Lower installation and operating costs
- Input terminals 12 to 18 AWG
- Switch selection for high or low dBA
- Switch for chime, whoop, mechanical and 2400Hz tone
- Tamperproof re-entrant grill
- Switch for continuous or temporal 3 (not available on whoop tone)
- Surface mount with the GSB (Gentex Surface Mount Box)
- Silence horn while strobes remain flashing
- Wide voltage range 8-17.5VDC (12VDC units) 16-33VDC or FWR (24VDC units)
- Faceplate available in red or off-white

GEC3/GES3 12 & 24 VDC S E R I E S



Product Listings

SIGNALING



- ANSI/UL 464 & ANSI/UL 1971 Listed
- FM Approved
- CSFM: 7135-0569:122 (GEC3-24 & GEH-24)
7125-0569:123 (GES3-24)
7125-0569:129 (GES3-12)
7135-0569:130 (GEC3-12 & GEH-12)
- MEA: 285-91-E (GEC3-24 & GES3-24)
580-06-E (GEC3-12 & GES3-12)

Product Compliance

- NFPA 72
- Americans with Disabilities Act (ADA)
- Quality Management System is certified to: ISO 9001:2008



GEH 12VDC or 24VDC Low Profile Evacuation Horn

Model Number	Part Number	Nominal Voltage	Reverberant dBA @ 10ft., per ANSI/UL 464	In Anechoic Room dBA @ 10ft.
GEH12-R	904-1239-002	12VDC	62-82	100
GEH12-W	904-1241-002	12VDC	62-82	100
GEH24-R	904-1205-002	24VDC	62-82	100
GEH24-W	904-1207-002	24VDC	62-82	100

GES3 12VDC or 24VDC Selectable Candela, Low Profile Evacuation Strobe

Model Number	Part Number	Nominal Voltage	Candela (ANSI/UL 1971)
GES3-12WR	904-1235-002	12 VDC	15, 30, 60, 75
GES3-12WW	904-1237-002	12 VDC	15, 30, 60, 75
GES3-24WR	904-1321-002	24 VDC	15, 30, 60, 75, 110
GES3-24WW	904-1319-002	24 VDC	15, 30, 60, 75, 110

Model Designations:

W = Wall mount

R = Red Faceplate

W = White Faceplate

All units are available in plain (no lettering).

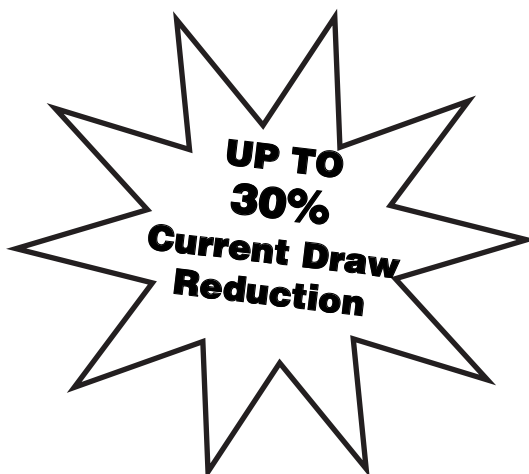
Plain units are non-returnable.

ALERT bezel available AGENT bezel available

GEC3 12VDC or 24VDC Selectable Candela, Low Profile Evacuation Horn/Strobe

Model Number	Part Number	Nominal Voltage	Candela (ANSI/UL 1971)	Reverberant dBA @ 10ft., per ANSI/UL 464	In Anechoic Room dBA @ 10ft.
GEC3-12WR	904-1231-002	12 VDC	15, 30, 60, 75	62-82	100
GEC3-12WW	904-1233-002	12 VDC	15, 30, 60, 75	62-82	100
GEC3-24WR	904-1317-002	24 VDC	15, 30, 60, 75, 110	62-82	100
GEC3-24WW	904-1315-002	24 VDC	15, 30, 60, 75, 110	62-82	100

GE3 Product Strobe Current Ratings (mA)				
	12VDC (8-17.5 Volts)		24VDC (16-33 Volts)	
Candela	12VDC	UL Max ¹	24VDC	UL Max ¹
15cd	106mA	92mA	30mA	42mA
30cd	131mA	141mA	35mA	60mA
60cd	186mA	260mA	66mA	97mA
75cd	237mA	312mA	80mA	116mA
110cd			103mA	157mA



GE3-12 Product Horn Current Ratings			
Horn Mode	Minimum dBA @ 10ft., per UL 464 (HIGH)	Minimum dBA @ 10ft., per UL 464 (LOW)	Regulated 12VDC Max. Operating @ High Setting (mA)
Temp 3 2400Hz	76	69*	29
Temp 3 Mechanical	75	68*	26
Temp 3 Chime	62*	60*	13
Continuous 2400Hz	79	74*	29
Continuous Mechanical	78	72*	26
Continuous Chime	63*	61*	13
Whoop	78	71*	55

GE3-24 Product Horn Current Ratings			
Horn Mode	Minimum dBA @ 10ft., per UL 464 (HIGH)	Minimum dBA @ 10ft., per UL 464 (LOW)	Regulated 24VDC Max. Operating @ High Setting (mA)
Temp 3 2400Hz	78	71*	28
Temp 3 Mechanical	76	70*	25
Temp 3 Chime	70*	66*	15
Continuous 2400Hz	81	74*	28
Continuous Mechanical	80	72*	25
Continuous Chime	70*	66*	15
Whoop	82	69*	56

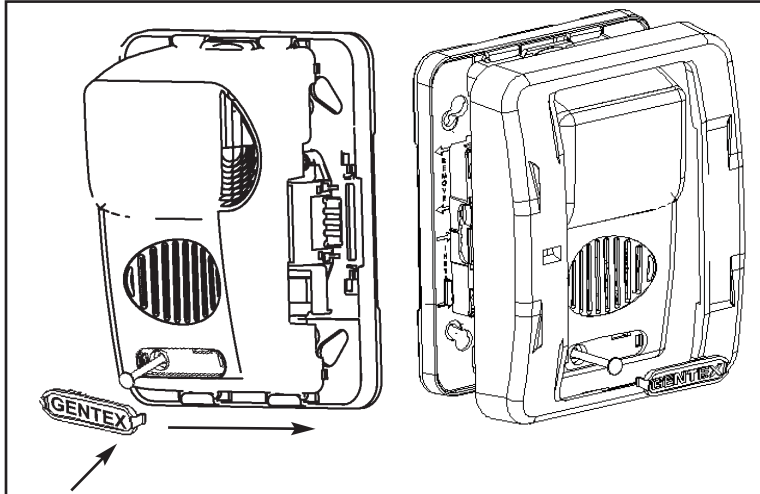
NOTES:

- Operating temperature: 32° to 120°F (0° to 49° C). The GE3 Series is not listed for outdoor use.
- The sound output for the temporal 3 tone is rated lower since the time the horn is off is averaged into the sound output rating. While the horn is producing a tone in the temporal 3 mode its sound pressure is the same as the continuous mode.
- For nominal and peak current across UL regulated voltage range for filtered DC power and unfiltered (FWR [Full Wave Rectified]) power, see installation manual. 12VDC models are DC only.
- **Gentex does not recommend using a coded or pulsing signaling circuit with any of our strobe products (see Technical Bulletin 014).**

*Operating the horn in this mode at this voltage will result in not meeting the minimum UL reverberant sound level required for public mode fire protection service. These settings are acceptable only for private mode fire alarm use. Use the high dBA setting for public mode application (not applicable when using the chime tone. The chime tone is always private mode).

¹ RMS current ratings are per UL average RMS method. UL max current rating is the maximum RMS current within the listed voltage range (16-33VDC for 24VDC units) (8-17VDC for 12VDC units). For strobes the UL max current is usually at the minimum listed voltage (16VDC for 24VDC units) (8VDC for 12VDC units). For audibles the max current is usually at the maximum listed voltage. For unfiltered FWR ratings, see installation manual.

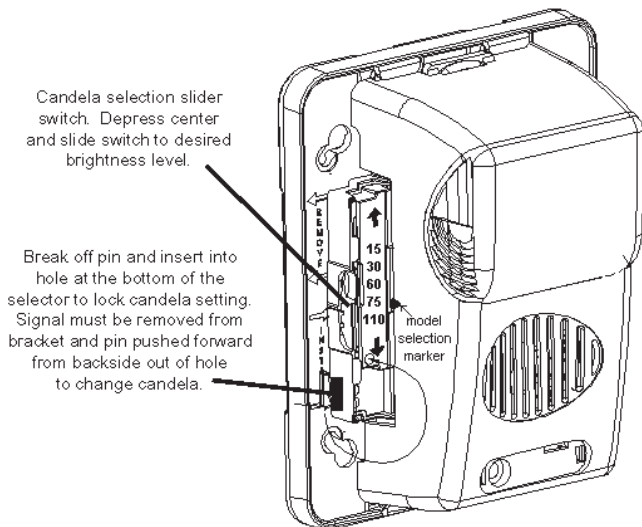
Mounting Super-Slide®



Gentex Super-Slide® Mounting Bracket: Allows the installer to pre-wire the system, test for system supervision, remove the signal head until occupancy, switch out Gentex signals without changing mounting brackets and has locking edge connector for snap-in-place installation.

Die Cast Metal Mounting Plate: Mounts to single gang, double gang 4" square boxes or GSB box.

Candela Selection



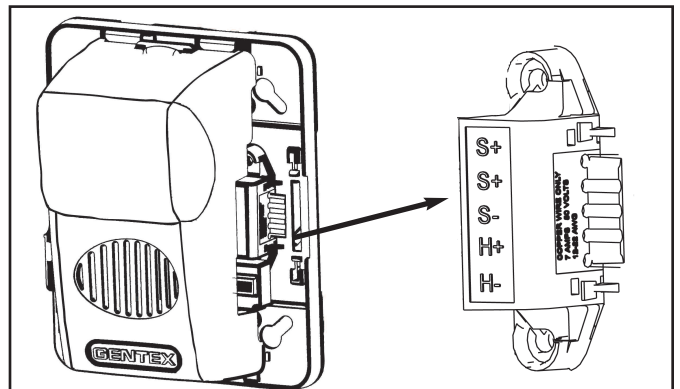
Tone Switch Locations

TONE	SWITCH POSITION		
	3	4	5
Mechanical Temporal 3	ON	ON	ON
Mechanical - Continuous	OFF	ON	ON
2400Hz - Temporal 3	ON	OFF	ON
2400Hz - Continuous	OFF	OFF	ON
Chime - Temporal 3	ON	ON	OFF
Chime - Continuous	OFF	ON	OFF
Whoop	ON	OFF	OFF
Whoop	OFF	OFF	OFF

Note:

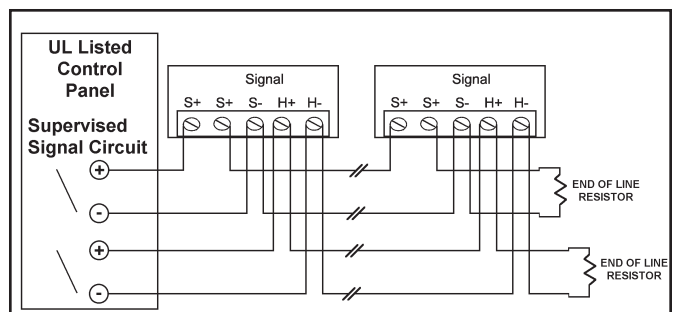
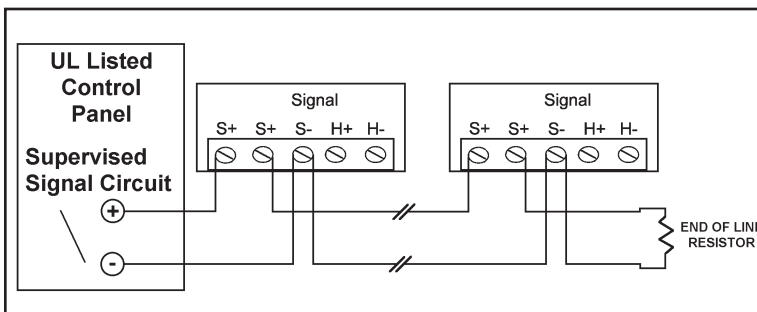
- Switch Positions 1 and 2 in the OFF position to select isolated horn and strobe power inputs
- Switch Position 6 ON = HIGH dBA
- Switch Position 6 OFF = LOW dBA

Checkmate® - Instant Voltage Verification



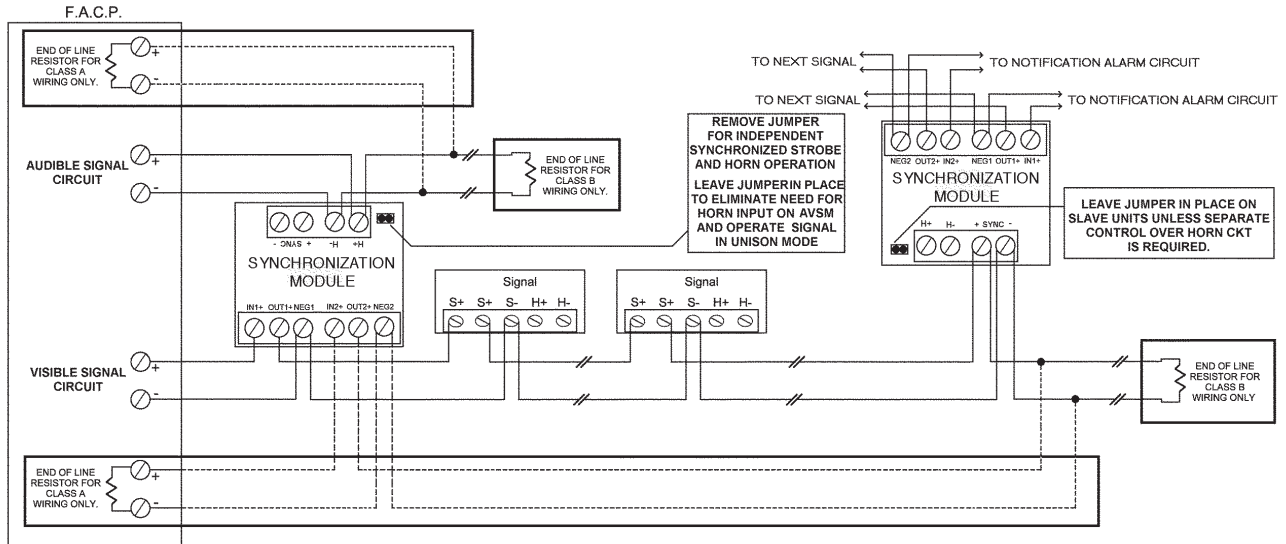
The access holes are provided in the back of the terminal block to allow the voltage to be measured directly without removing the device. Typically this would be done at the end of the line to confirm design criteria. Most measurements will be taken using the S+ and S- locations although access is provided to other locations. **NOTE: Care should be taken to not short the test probes.**

Conventional Wiring Diagrams for Emergency Notification Evacuation Series



GEC3/GES3 12 & 24 VDC S E R I E S

Wiring Diagram GE3 Series with Gentex Synchronization Module



Note: See Technical Bulletin 015 for proper synchronization module for application.

Note: When synchronizing the GE3 12VDC Series, the AVSM synchronization module MUST be used.

Architect & Engineering Specifications

The audible and/or visible signal shall be Gentex GE3 Series or approved equal and shall be listed by Underwriters Laboratories, Inc. per UL 1971 and/or UL 464. The notification appliance shall also be listed with Factory Mutual Listing Service (FM), the California State Fire Marshal (CSFM) and the Bureau of Standards and Appeals (NYC).

The notification appliance (combination audible/visible) shall produce a peak sound output of 100dBA or greater at 12VDC or 24VDC as measured in an anechoic chamber. The signaling appliance shall also have the capability to silence the audible signal while leaving the visible signal energized with the use of a single pair of power wires. Additionally, the user shall be able to select either continuous or temporal tone output with the temporal signal having the ability to be synchronized.

Unit shall be capable of being installed so that any unauthorized attempt to change the candela setting will result in a trouble signal at the fire alarm control panel.

The audible/visible and visible signaling appliance shall also maintain a minimum flash rate of 1Hz or up to 2Hz regardless of power input voltage. The appliance shall have an operating current of 55mA or less at 24VDC for the 15Cd strobe circuit and 106mA or less at 12VDC for the 15Cd strobe circuit.

The appliance shall be polarized to allow for electrical supervision of the system wiring. The unit shall be provided with a mounting bracket with terminals and barriers for input/output wiring and be able to mount to a single gang or double gang box or double workbox without the use of an adapter plate. The unit shall have an input voltage range of 16-33 volts with either direct current or full wave rectified power for 24VDC models or a voltage range of 8-17.5 volts for 12VDC models.

The appliance shall be capable of testing supervision without disconnecting wires. Also the appliance shall be capable of mounting to a surface back box. The unit shall also be able to verify voltage at the unit without removing unit.

24 units per carton
28 pounds per carton

GENTEX CORPORATION

Fire Protection Products Group • www.gentex.com
10985 Chicago Drive • Zeeland, Michigan 49464
616.392.7195 • 1.800.436.8391 • 616.392.4219 Fax

Gentex Corporation reserves the right to make changes to the product data sheet at their discretion.

Important Notice:

These materials have been prepared by Gentex Corporation ("Gentex") for informational purposes only, are necessarily summary, and are not purporting to serve as legal advice and should not be used as such. Gentex makes no representations and warranties, express or implied, that these materials are complete and accurate, up-to-date, or in compliance with all relevant local, state and federal laws, regulations and rules. The materials do not address all legal considerations as there is inevitable uncertainty regarding interpretation of laws, regulations and rules and the application of such laws, regulations and rules to particular fact patterns. Each person's activities can differently affect the obligations that exist under applicable laws, regulations or rules. Therefore, these materials should be used only for informational purposes and should not be used as a substitute for seeking professional legal advice. Gentex will not be responsible for any action or failure to act in reliance upon the information contained in this material.

551-0050-04

Printed on Recycled Paper