

FRM Series

Non-Penetrating Roof Mounts

Product Features:

These non-penetrating roof mounts are constructed of steel and use standard concrete blocks to anchor. For use with DBS, antenna, and satellite internet systems.

FRM-125

60" mast with 1.25" O.D.

FRM-166

30" mast with 1.66" O.D.

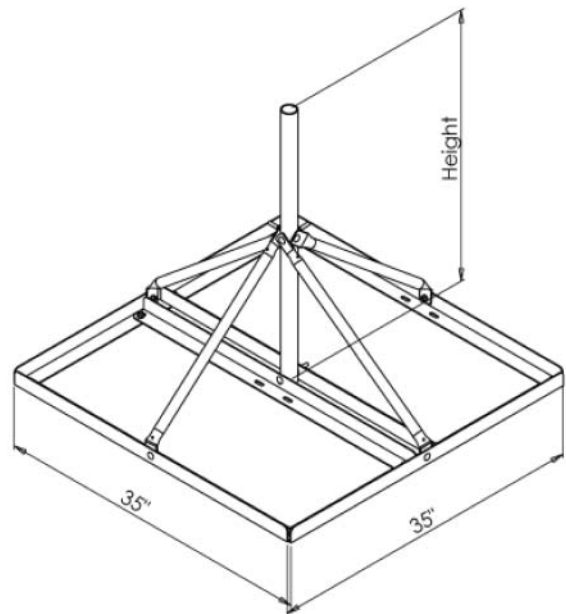
FRM-200

30" mast with 2.00" O.D.

Product Specifications:

(for Architects & Engineers)

The non-penetrating roof mount for antenna's and satellite dishes is the Video Mount Products (VMP) model FRM-____. The mount shall be primarily constructed of angular and tubular steel. The mount shall be constructed as to allow up to 8 standard size concrete blocks to be used as ballast for the mount. The mount shall be painted with weather resistant powder coat paint.



Video Mount Products

345 Log Canoe Circle

Stevensville, MD 21666

Toll Free: 877.281.2169

Telephone: 410.643.6390

Facsimile: 410.643.6615

www.videomount.com

VMP
VIDEO MOUNT PRODUCTS