



**SILENT  
KNIGHT**

by Honeywell

# IntelliKnight SK-FFT Fire Fighters Telephone

**Independent Functionality and Flexibility  
help meet your most  
Demanding Applications**

The SK-FFT Fire Fighter Telephone System provides the most flexible and reliable fire telephone control system for fire fighters use with fire alarm systems. The control module provides supervision, annunciation and control for local and remote telephone handsets.

For more information about the IntelliKnight SK-FFT system, or to locate your nearest source, please call 800-328-0103.

## Description

The SK-FFT is a Fire Fighters Telephone Communication System. The SK-FFT with keypad, provides indications of phone activation, and corresponding trouble conditions. The FFT-24 expander board lets you add additional zones to the SK-FFT.

The SK-FFT can use one FFT-24 for a total of 48 zones. Each zone consists of one addressable monitor module (SK-Minimon) and a minimum of one Fire Fighter Telephone Jack (FFT-FPJ).

## Features

- SK-FFT Fire Fighter Telephone module for control and annunciation of up to 48 remote telephone jacks
- A maximum of 10 Fire Fighter Remote Handsets (FFT-RHS) can be used at one time to communicate over the telephone circuit connected to the SK-FFT
- Fire Fighter Phone Jack (FFT-FPJ) provides a plug-in location for the FFT-RHS
- Single Telephone Station Mount comes in a lockable cabinet containing one remote handset. Available in Recessed mount (FFT-STSR) or surface mount (FFT-STSS)
- Fire Fighter Handset Cabinet (FFT-HSC) is used to store ten Fire Fighter Handsets (FFT-RHS)
- System Status LEDs
- Supports a single FFT-24 zone expander
- The SK-FFT supports up to 48 SK-Minimon devices on one FFT system
- One Form C trouble relay
- JumpStart<sup>®</sup> auto-programming

## Installation

The SK-FFT can be surface or flush mounted. Use the VIP-TR trim ring for flush mounting.

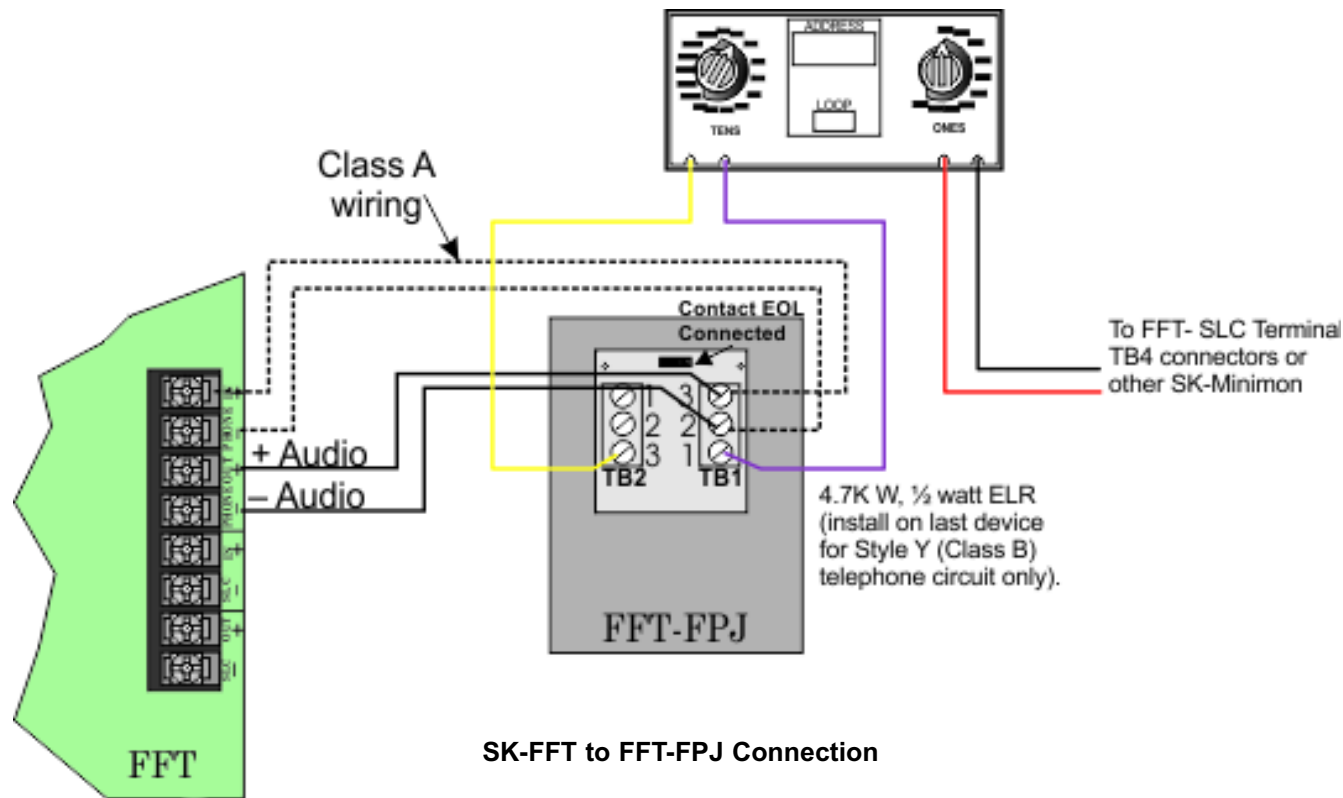


**Model SK-FFT**

## Compatibility

- 5820XL Addressable Fire Control Panel
- 5808 Addressable Fire Control Panel
- 5700 Addressable Fire Control Panel
- 5600 25-Point Addressable Fire Control Panel
- 5895XL Power Supply
- For retrofit projects, compatible with any UL listed 24V regulated power supply

# Model SK-FFT Fire Fighters Telephone



## Specifications

### Physical

Flush Mount Dimensions:  
20¼" W x 26¾" H x 2.5" – 3" D  
(51.4 W x 68 H x 6.4–7.6 D cm)

Overall Dimensions:  
20" W x 26½" H x 4.6" D  
(50.75 W x 67.3 H x 11.8 D cm)

Weight: 53 lbs.

Color: Red

### Environmental

Operating Temperature: 32°F – 120°F  
(0°C – 49°C)

Humidity: 10% – 93% non-condensing

### Electrical

Voltage for the SK-FFT must be a power-limited, filtered, non resettable nominal 24 VDC source.

The voltage source must be within the range of 17-29 VDC.

Active Current: 230 mA

Standby Current: 120 mA

SLC Circuit: 32V; 150mA

Audio Circuits: 17V; 53mA

### Approvals

UL Listed

## Ordering Information

- SK-FFT Fire Fighters Telephone
- SK-Minimon Mini-Monitor module
- SK-ISO Fault Isolator module

### Miscellaneous Accessories

- FFT-24 24 Zone Expander
- FFT-FPJ Remote Phone Jack
- FFT-RHS Fire Fighters Remote Hand Set

FFT-HSC Fire Fighters Handset Cabinet. Holds up to 10 remote handsets

FFT-STSR Single Telephone Station Recessed. A lockable cabinet containing one remote handset.

FFT-STSS Single Telephone Station Surface Mount. A lockable cabinet containing one remote handset.

FFT-BGK Break Glass Kit for FFT-STSS

VIP-TR Flush Mount Trim Ring



This document is not intended to be used for installation purposes. We try to keep our product information up-to-date and accurate. We cannot cover all specific applications or anticipate all requirements. All specifications are subject to change without notice. For more information, contact Silent Knight 12 Clintonville Road, Northford, CT 06472-1610 Phone: (800) 328-0103 or (203) 484-7161, Fax: (203) 484-7118. [www.silentknight.com](http://www.silentknight.com)

**MADE IN AMERICA**

P/N 351550 Rev B

© 2011 Honeywell International Inc.