

**HIKVISION®**



**ECT-T12Fx**

# **TurboHD Turret Camera**

Quick Start Guide

## **Manual Illustrations and Features**

Graphics (screen shots, product pictures, etc.) in this document are for illustrative purposes only. Your actual product may differ in appearance. Your product might not support all features discussed in this document.

**Hikvision USA Inc.**, 18639 Railroad St., City of Industry, CA 91748, USA • Hikvision Canada, 4848 rue Levy, Saint Laurent, Quebec, Canada, H4R 2P1

Telephone: +1-909-895-0400 • Toll Free in USA: +1-866-200-6690  
• E-Mail: [sales.usa@hikvision.com](mailto:sales.usa@hikvision.com) • [www.hikvision.com](http://www.hikvision.com)

COPYRIGHT © 2017-2018 Hangzhou Hikvision Digital Technology Co., Ltd.

## **ALL RIGHTS RESERVED.**

Thank you for purchasing our product. If there are any questions, or requests, do not hesitate to contact the dealer.

This manual may contain several technical incorrect places or printing errors, and the content is subject to change without notice. The updates will be added to the new version of this manual. We will readily improve or update the products or procedures described in the manual.

## **Regulatory Information**

### **FCC Information**

Please take attention that changes or modification not expressly approved by the party responsible for compliance could void the user's authority to operate the equipment.

**FCC Compliance:** This equipment has been tested and found to comply with the limits for a Class A digital device, pursuant to part 15 of the FCC Rules. These limits are designed to provide reasonable protection against harmful interference when the equipment is operated in a commercial environment. This equipment generates, uses, and can radiate radio frequency energy and, if not installed and used in accordance with the instruction manual, may cause harmful interference to radio communications. Operation of this equipment in a residential area is likely to cause harmful interference in which case the user will be required to correct the interference at his own expense.

### **FCC Conditions**

This device complies with part 15 of the FCC Rules. Operation is subject to the following two conditions:

1. This device may not cause harmful interference.
2. This device must accept any interference received, including interference that may cause undesired operation.

### **EU Conformity Statement**



This product and, if applicable, the supplied accessories too are marked with “CE” and comply therefore with the applicable harmonized European standards listed under the Low Voltage Directive 2014/35/EU, the EMC Directive 2014/30/EU.



**2012/19/EU (WEEE Directive):** Products marked with this symbol cannot be disposed of as unsorted municipal waste in the European Union. For proper recycling, return this product to your local supplier upon the purchase of equivalent new equipment, or dispose of it at designated collection points. For more information see: [www.recyclethis.info](http://www.recyclethis.info).



**2006/66/EC (Battery Directive):** This product contains a battery that cannot be disposed of as unsorted municipal waste in the European Union. See the product documentation for specific battery information. The battery is marked with this symbol, which may include lettering to indicate cadmium (Cd), lead (Pb), or mercury (Hg). For proper recycling, return the battery to your supplier or to a designated collection point. For more information see: [www.recyclethis.info](http://www.recyclethis.info).

### **Industry Canada ICES-003 Compliance**

This device meets the CAN ICES-3 (A)/NMB-3(A) standards requirements.

### **Warning**

This is a class A product. In a domestic environment this product may cause radio interference in which case the user may be required to take adequate measures.



### **Safety Instruction**

These instructions are intended to ensure that user can use the product correctly to avoid danger or property loss.

The precaution measure is divided into “Warnings” and “Cautions.”

**Warnings:** Serious injury or death may occur if any of the warnings are neglected.

**Cautions:** Injury or equipment damage may occur if any of the cautions are neglected.

	
<b>Warnings</b> Follow these safeguards to prevent serious injury or death.	<b>Cautions</b> Follow these precautions to prevent potential injury or material damage.



## Warnings

- In the use of the device, you must be in strict compliance with the electrical safety regulations of the nation and region.
- Input voltage should meet both the SELV (Safety Extra Low Voltage) and the Limited Power Source with 12 VDC according to the IEC60950-1 standard. Refer to technical specifications for detailed information.
- The output current of the power adapter must be no more than 6 A.
- Do not connect multiple devices to one power adapter to avoid overheating or a fire hazard caused by overload.
- Make sure that the plug is firmly connected to the power socket.
- Make sure that the device is firmly fixed if wall mounted or ceiling mounted.
- If smoke, odor, or noise arise from the device, turn off the power at once, unplug the power cord, and contact the service center.
- Never attempt to disassemble the camera by unprofessional personal.



## Cautions

- Do not drop the camera or subject it to physical shock.
- Do not place the camera in extremely hot, cold (the operating temperature shall be  $-40^{\circ}$  to  $60^{\circ}$  C), dusty or damp locations, and do not expose it to high electromagnetic radiation.
- Do not touch sensor modules with fingers.
- If cleaning is necessary, use a clean cloth with a bit of ethanol, and wipe it gently.
- Do not aim the camera at the sun or extra bright places.
- The sensor may be burned out by a laser beam, so when any laser equipment is in use, make sure that the surface of the sensor will not be exposed to the laser beam.
- Do not expose the device to high electromagnetic radiation or extremely hot, cold, dusty, or damp environments.
- To avoid heat accumulation, good ventilation is required for the operating environment.
- Keep the camera away from liquid while in use for non-waterproof device.
- While in delivery, the camera shall be packed in its original packing or packing of the same material.

## Mark Description

Table 0-1 Mark Description

Mark	Description
---	DC Voltage

# Contents

1 Introduction .....	8
1.1 Product Features .....	8
1.2 Overview .....	8
1.2.1 Camera Overview .....	8
2 Installation.....	9
2.1 Camera Installation .....	9
3 Menu Description .....	14
3.1 FORMAT.....	16
3.2 EXPOSURE .....	16
3.3 DAY/NIGHT .....	16
3.4 VIDEO SETTINGS.....	18
3.5 FACTORY DEFAULT .....	20
3.6 EXIT.....	20
3.7 SAVE & EXIT .....	20

# 1 Introduction

---

## 1.1 Product Features

The main features are as follows:

- High performance CMOS sensor
- IR cut filter with auto switch
- OSD menu with configurable parameters
- Auto white balance
- Internal synchronization
- SMART IR mode
- 3-axis adjustment

## 1.2 Overview

### 1.2.1 Camera Overview

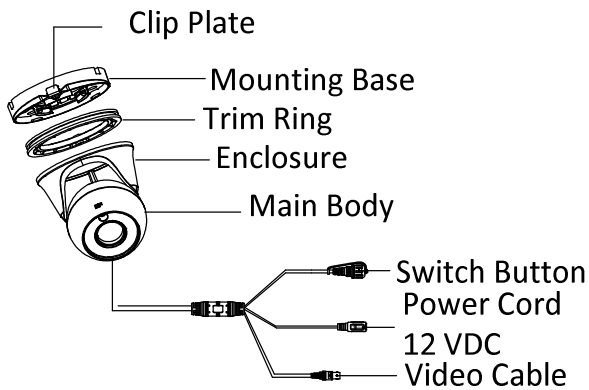


Figure 1-1 Overview of Camera



**Note:**

Press and hold the switch button until the screen goes blank (~seven seconds) to switch the video output. Four kinds of video outputs are available: TVI, AHD, CVI, and CVBS.

## **2 Installation**

---

### ***Before You Start:***

- Make sure that the device in the package is in good condition and all the assembly parts are included.
- Make sure that all the related equipment is powered off during the installation.
- Check the specification of the products for the installation environment.
- Check whether the power supply matches your power output to avoid damage.
- Make sure the wall is strong enough to withstand three times the weight of the camera and the mount.
- If the wall is cement, insert expansion bolts before installing the camera. If the wall is wood, use self-tapping screws to secure the camera.
- If the product does not function properly, contact your dealer or the nearest service center. Do NOT disassemble the camera for repair or maintenance yourself.

### **2.1 Camera Installation**

#### ***Before you start:***

Both wall mounting and ceiling mounting are suitable for the camera. We take ceiling mounting as an example in this section.

You can use the ceiling mounting steps as a reference when wall mounting.

**Steps:**

1. Disassemble the turret camera.
  - 1). Use a screwdriver to loosen the screws on the mounting base.
  - 2). Align the notch to the clip plate to separate the mounting base from the camera body.

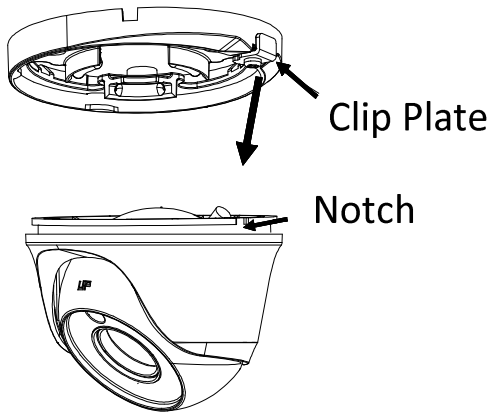


Figure 2-1 Disassemble the Camera

2. Paste the drill template (supplied) where you want to install the camera.
3. Drill the screw holes and the cable hole (optional) on the ceiling according to the drill template.



Figure 2-2 Drill Template

**Note:**

Drill the cable hole if using the ceiling outlet to route the cable.

4. Attach the mounting base to the ceiling, and secure with supplied screws.

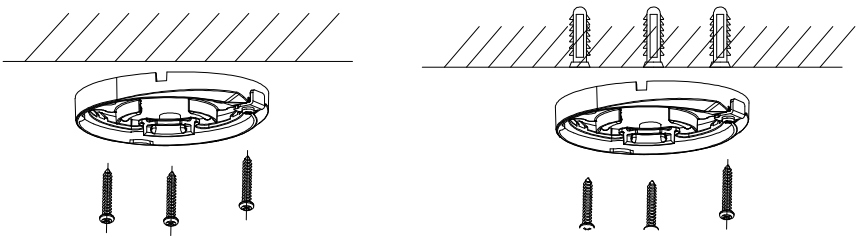


Figure 2-3 Attach the Mounting Base to the Ceiling

**Note:**

- The supplied screw package contains self-tapping screws and expansion bolts.
- For a cement ceiling, expansion bolts are required to fix the camera. For a wooden ceiling, self-tapping screws are required.

5. Route the cables through the cable hole or side opening.

6. Combine the camera body with the mounting base.

- 1). Put the camera body in the mounting base.
- 2). Align the notch to the clip plate, and slightly rotate the enclosure.
- 3). Tighten the screw to secure the camera onto the mounting base.

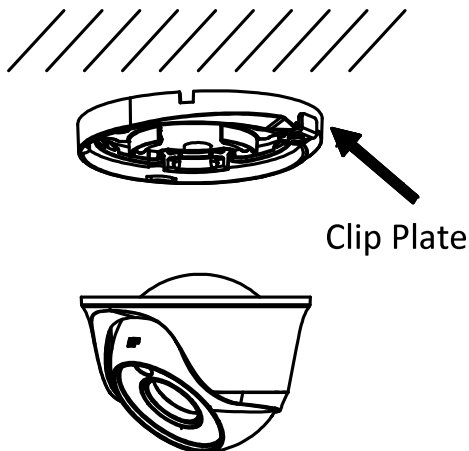


Figure 2-4 Secure the Camera to the Mounting Base

7. Connect the corresponding cables such as power cord and video cable.
8. Power on the camera to check whether the image on the monitor is at an optimum angle. If not, adjust the camera according to the figure below to get an optimum angle.

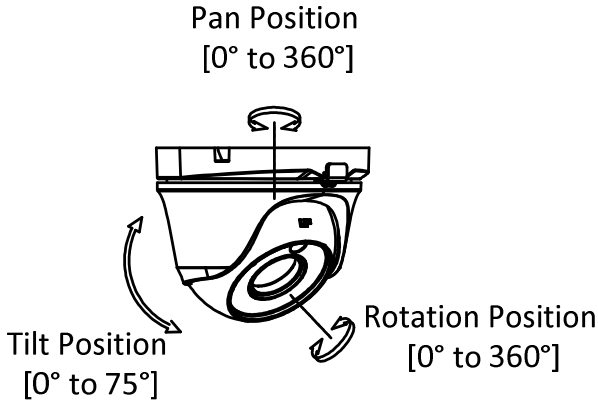


Figure 2-5 3-axis Adjustment

- 1). Rotate the enclosure to adjust the pan position [0° to 360°].
- 2). Move the camera body up and down to adjust the tilt position [0° to 75°].
- 3). Rotate the camera body to adjust the rotation position [0° to 360°].

### 3 Menu Description

---

**Purpose:**

Call the menu by clicking the  button on the PTZ Control interface, or click **Iris+**.

**Steps:**

1. Connect the camera to the TVI DVR and the monitor, shown in figure 3-1.

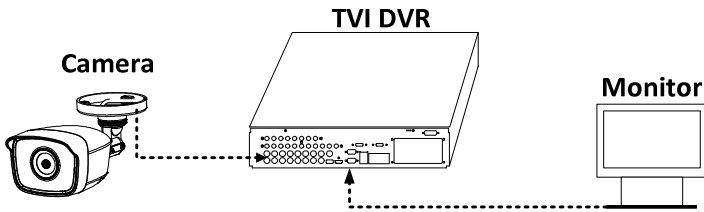



Figure 3-1 Connection

2. Power on the analog camera, TVI DVR, and the monitor to view the image on the monitor.
3. Click PTZ Control to enter the PTZ Control interface.
4. Call the camera menu by clicking the  button, or click **Iris+**.

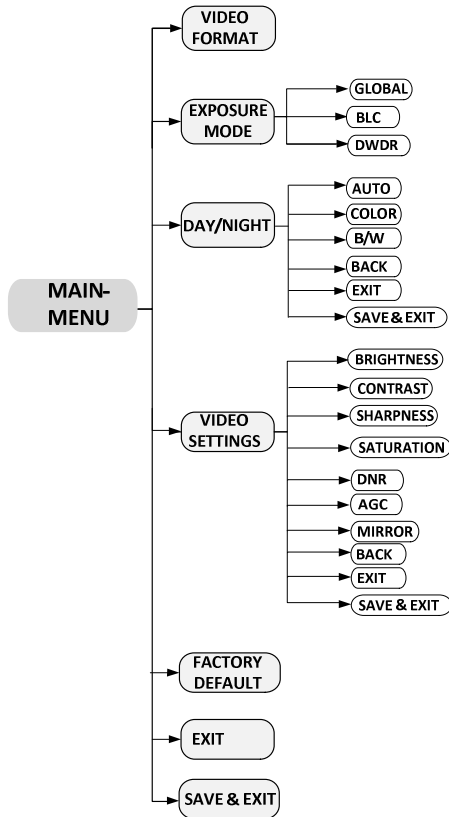


Figure 3-2 Main Menu Overview

5. Click the direction arrow to control the camera.
  - 1) Click the up/down direction button to select the item.
  - 2) Click **Iris +** to confirm the selection.
  - 3) Click the left/right direction button to adjust the value of the selected item.

### 3.1 FORMAT

Set the format to 2 MP @ 30 fps.

### 3.2 EXPOSURE

Exposure describes the brightness-related parameters, which you can set the **EXPOSURE MODE** as **GLOBAL**, **BLC**, or **DWDR**.

- **GLOBAL**

**GLOBAL** refers to the normal exposure mode, which performs exposure according to the whole image brightness.

- **BLC (Backlight Compensation)**

**BLC** (Backlight Compensation) compensates light for the front object to make it clear, but this may cause the overexposure of the background where the light is strong.

- **DWDR (Digital Wide Dynamic Range)**

**DWDR** helps the camera provide clear images even under backlight circumstances. When both very bright and very dark areas simultaneously exist in the image, **DWDR** balances the brightness level of the whole image to provide clear images with details.

### 3.3 DAY/NIGHT

**COLOR**, **BW** (Black White), and **AUTO** are selectable for the DAY/NIGHT switch.

#### **COLOR**

The image is in color in day mode all the time.

#### **B & W (Black and White)**

The image is black and white all the time, and the **IR LIGHT** turns on in poor light conditions.



You can turn on/off the **IR LIGHT** and set the **SMART IR** value in this menu.

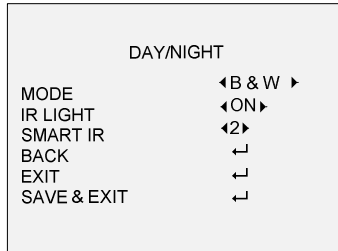


Figure 3-3 B & W

- **IR LIGHT**

You can turn on/off the **IR LIGHT** to meet the requirements of different circumstances.

- **SMART IR**

The **SMART IR** function is used to adjust the light to its most suitable intensity and prevent the image from overexposure. The **SMART IR** value can be adjusted from 0 to 3. The higher the value, the more obvious the effect.

### **AUTO**

Automatically switch Color or BW (Black and White) according to actual scene brightness.

You can turn on/off the **IR LIGHT** and set the **SMART IR** value in this menu.

DAY/NIGHT	
MODE	◀AUTO ▶
IR LIGHT	◀ON▶
SMART IR	◀2▶
D → N THRESHOLD	◀2▶
N → D THRESHOLD	◀7▶
BACK	←
EXIT	←
SAVE & EXIT	←

Figure 3-4 AUTO

- **IR LIGHT**

You can turn on/off the **IR LIGHT** to meet the requirements of different circumstances.

- **SMART IR**

The **SMART IR** function adjusts the light to its most suitable intensity and prevents the image from overexposure. The **SMART IR** value can be adjusted from 0 to 3. The higher the value, the more obvious the effect.

- **D → N Threshold (Day to Night Threshold)**

**Day to Night Threshold** controls the sensitivity of switching day mode to night mode. You can set the value from 1 to 9. The larger the value, the more sensitive the camera.

- **N → D Threshold (Night to Day Threshold)**

**Night to Day Threshold** controls the sensitivity of switching night mode to day mode. You can set the value from 1 to 9. The larger the value, the more sensitive the camera.

### 3.4 VIDEO SETTINGS

Move the cursor to **VIDEO SETTINGS** and click **Iris+** to enter the submenu. **BRIGHTNESS, CONTRAST, SHARPNESS, SATURATION, DNR, AGC,** and **MIRROR** are adjustable.

VIDEO SETTINGS	
BRIGHTNESS	◀ 5 ▶
CONTRAST	◀ 5 ▶
SHARPNESS	◀ 5 ▶
SATURATION	◀ 5 ▶
DNR	◀ 5 ▶
AGC	◀ HIGH ▶
MIRROR	◀ OFF ▶
BACK	↵
EXIT	↵
SAVE & EXIT	↵

Figure 3-5 VIDEO SETTINGS

- **BRIGHTNESS**

Brightness refers to the brightness of the image.

You can set the brightness value from 1 to 9 to darken or brighten the image. The higher the value, the brighter the image.

- **CONTRAST**

This feature enhances the difference in color and light between parts of an image. You can set the **CONTRAST** value from 1 to 9.

- **SHARPNESS**

Sharpness determines the amount of detail an imaging system can reproduce. You can set the **SHARPNESS** value from 1 to 9.

- **SATURATION**

Adjust this feature to change the color saturation of. The value ranges from 1 to 9.

- **DNR (Digital Noise Reduction)**

The DNR function can decrease the noise effect, especially when capturing moving images in poor light conditions and

delivering more accurate and sharp image. You can set the **DNR** as **HIGH**, **MEDIUM**, or **LOW**.

- **AGC**

It optimizes the clarity of the image in poor light conditions. The **AGC** level can be set as **HIGH**, **MEDIUM**, or **LOW**. Select **OFF** to disable the **AGC** function.

**Note:**

The noise will be amplified when the **AGC** is on.

- **MIRROR**

**OFF**, **H**, **V**, and **HV** are selectable for mirror.

**OFF:** The mirror function is disabled.

**H:** The image flips 180° horizontally.

**V:** The image flips 180° vertically.

**HV:** The image flips 180° both horizontally and vertically.

### **3.5 FACTORY DEFAULT**

Move the cursor to **FACTORY DEFAULT** and click **Iris+** to reset all the settings to the factory default.

### **3.6 EXIT**

Move the cursor to **EXIT** and click **Iris+** to exit the menu without saving.

### **3.7 SAVE & EXIT**

Move the cursor to **SAVE & EXIT** and click **Iris+** to save the settings and exit the menu

