

Access Control Power Supply

EAP-5D1Q 1 Output, 5A@12VDC, 2.5A@24VDC

EAP-5D1MQ PC Board only from EAP-5D1Q

Features:

- AC Power failure supervision relay
- Battery failure supervision relay
- Selectable 2.2K-Ohm End-of-Line (EOL) resistor for AC failure and battery failure supervision relays
- Selectable delay timer (5sec, 5min, 5 hours) for AC failure supervision relay
- LED Overload indicator and automatic shutdown for short-circuit protection
- Fuse-protected AC input
- Built-in back-up battery charger
- Automatically switch to back-up battery if AC fails
- Individual AC input and DC output LED status indicators

Power:

- Field selectable for 12VDC or 24VDC output
- Operating input voltage 110~240 VAC
- Adjustable voltage range (11~15 VDC, 23~26 VDC) to compensate for voltage drop
- Supply current: 5A@12VDC, 2.5A@24VDC
- AC Input fuse rating 3.15 Amps (glass fuse)
- DC Output overload sensing with red LED indicator and automatic shutdown during short circuit

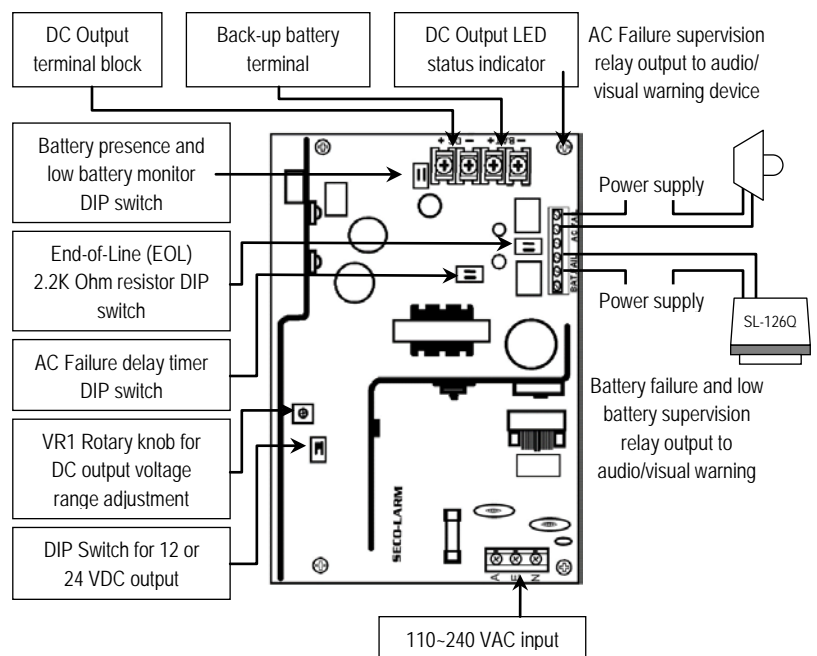
Enclosure:

- Heavy-duty steel case to protect the power connections
- Removable steel cover for easy access
- Ventilation holes to prevent heat build-up
- Enclosure has enough room for two 7AH batteries
- 6ft Power cord and battery leads included
- Dimensions: 12³/₁₆" x 12⁷/₁₆" x 3⁹/₁₆"
- Knock-out on the cover for optional cam lock



Dimensions: 12³/₁₆" x 12⁷/₁₆" x 3⁹/₁₆"

Connection Diagram:



SECO-LARM®

16842 Millikan Ave, Irvine, CA 92606

Tel: 949-261-2999 / 800-662-0800 • Fax: 949-261-7326

sales@seco-larm.com • www.seco-larm.com



Copyright 2013 © SECO-LARM U.S.A., Inc. All rights reserved. The SECO-LARM policy is one of continual development. For that reason, SECO-LARM reserves the right to change prices and specifications without notice. SECO-LARM is not responsible for misprints.

SECO-LARM® ENFORCER® CRIMEBUSTER® CBA SLI®

PIEAP-5D1Q.docx