

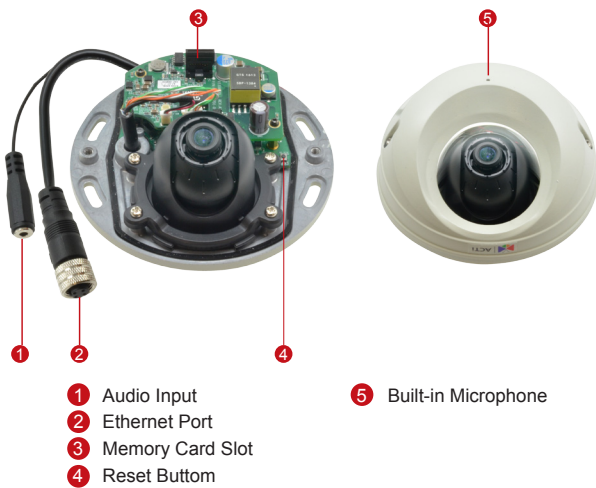
E99M

3MP Mobile Vehicle Outdoor Mini Dome with Extreme WDR, SLLS, M12, Fixed Lens

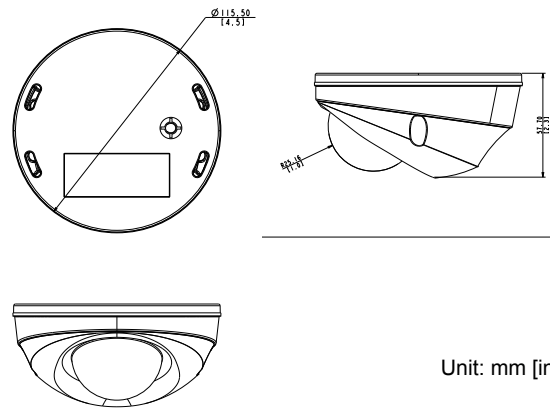


- Mobile Vehicle
- 3 Megapixel
- Fixed Lens with f2.1mm / F1.8
- Extreme WDR
- 60 fps at 1920 x 1080
- Super Wide Angle
- Weatherproof (IP67), Vandal proof (IK10), Vibration proof (IEC60571)

PHOTO INDICATION



DIMENSION DIAGRAM



PRODUCT SPECIFICATION**E99M****• Device**

Device Type	Outdoor Mini Dome
Image Sensor	Progressive Scan CMOS
Sensor Size	1/2.8"
Effective Pixels	2065 (H) x 1553 (V) (3.21 MP)
Horizontal Resolution	1300 TVL
Day / Night	Electronic Day / Night
Low Light Sensitivity	Superior
Minimum Illumination	Color: 0.1 lux at F1.8 (30 IRE, 2400°K)
Mechanical IR Cut Filter	No
IR Sensitivity Range	No
IR LED	No
Electronic Shutter	1/5 ~ 1/16,000 sec (manual mode); 1/5 ~ 1/16,000 sec (auto mode)
S/N Ratio	56 dB

• Lens

Focal Length / Aperture	Fixed focal, f2.1 mm / F1.8
Iris	Fixed iris
Focus	Fixed focus
Lens Mount	Board mount
Horizontal Viewing Angle	117.5° (overview area)
Vertical Viewing Angle	90°
Viewing Angle Adjustment	Pan: ±30°; Tilt: 0°~90°; Rotation: 0°~360°

• Video

Max. Resolution vs. Frame Rate	30 fps at 2048 x 1536; 60 fps at 1920 x 1080; 60 fps at 1280 x 720; 30 fps at 800 x 600; 30 fps at 640 x 480; 30 fps at 320 x 240
Compression	H.264 (Baseline / Main / High profile), MJPEG
Multi-Streaming	Simultaneous triple streams based on three configurations
Bit Rate	128 Kbps - 12 Mbps (per stream)
Bit Rate Mode	Constant, Variable
Image Enhancement	Extreme WDR (145 dB); White balance: automatic, hold and manual; Brightness; Saturation; Contrast; Sharpness (auto); Auto gain control; 2D+3D Digital noise reduction; Flickerless; Shock Detection
Privacy Mask	4 configurable regions
Text Overlay	User defined text on video
Image Orientation	Image flip, mirror and rotation (90° and 270°)
Built-in Analytics	Motion Detection; Tampering; Line crossing; Enter area; Missing object**; Unattended object**; Smoke detection**; Loitering

• Audio

Compression	8 kHz, Mono, PCM, 16 bit encoding; G.711
Audio input	Built-in Microphone and Line-in; Cable with 3.5mm Phone Jack

• Network

Protocol & Service	IPv4/v6, TCP, UDP, DHCP, PPPoE, HTTP, HTTPS, DNS, DDNS, NTP, RTP, RTSP, RTCP, SMTP, FTP, IGMP, ICMP, ARP, Bonjour, UPnP, QoS, SNMP, IEEE 802.1X
Ethernet Port	1, Ethernet (10/100 Base-T), M12 connector
Security	IP address filtering; HTTPS encryption; Password protected user levels; Anonymous login; IEEE 802.1X network access control

• Alarm

Alarm Trigger	Video motion detection (10 regions); Sound detection; External device through digital input; Intelligent event detection
Alarm Response	Notify control center; Change camera settings; Command other devices; E-mail notification with snapshots; Save video or snapshot to local storage; Upload video to NVR server; Upload video or snapshot to FTP; Push notification to mobile device

• Interface

Local Storage	MicroSDHC/MicroSDXC memory card slot (card not included)
---------------	--

• General

Power Source / Consumption	PoE Class 2 (IEEE802.3af) / 6.25 W (Maximum resolution)
Weight	461 g (1.014 lb)
Dimensions (Ø x H)	115.5 mm x 57.7 mm (4.5" x 2.3")
Environmental Casing	Weatherproof (IP67 rated); Vandal proof (IK10 rated); Built-in dehumidifier
Starting Temperature	-40°C ~ 55°C (-40°F ~ 131°F)
Operating Temperature	-40°C ~ 55°C (-40°F ~ 131°F)
Operating Humidity	10% ~ 85% RH
Approvals	CE (EN 55022 Class B, EN 55024), FCC (Part15 Subpart B Class B), IK10, IP67, NEMA 4X, IEC 60571, UL Listed (UL 60950-1)

• Integration

Unified Solution	Fully compatible with ACTi software
ISV Integration	Software Development Kit (SDK) available; ONVIF compliant; GB28181
Firmware Access Browser	Microsoft Internet Explorer 8.0 or newer (full functionality); Safari with QuickTime installed, and other browsers with VLC installed (partial functionality)
Auto Firmware Upgrade	Yes
GPS Position	Manual setting

** Functionality will be available in future firmware update

* All specifications are subject to change without notice.

* All brand names and registered trademarks are the property of their respective owners.

www.acti.com

