

E78

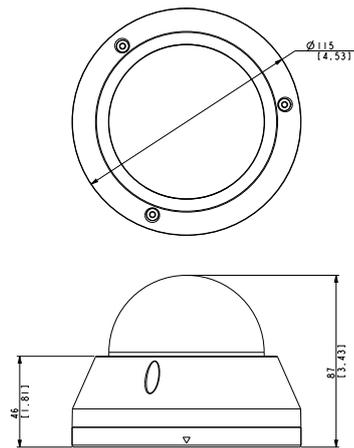
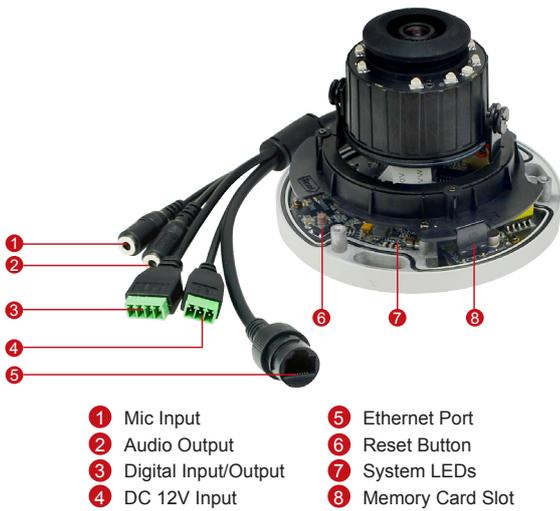
2MP Outdoor Dome with D/N, Adaptive IR, Extreme WDR, SLLS, Fixed Lens



- 2 Megapixel with 1080p
- Day & Night with Superior Low Light Sensitivity and Adaptive IR LED
- Fixed Lens with f3.6mm / F1.85
- Extreme WDR (145 dB)
- 60 fps at 1920 x 1080
- Wide Angle
- Weatherproof (IP68) and Vandal Proof (IK10)
- Built-in Analytics

PHOTO INDICATION

DIMENSION DIAGRAM



Unit: mm [inch]

ACCESSORY OPTIONS

Power Supply		
PPOE-0001		IEEE 802.3af PoE Injector for Class 1, 2 or 3 devices, with universal adapter
PPBX-0002		AC 100-240V to DC 12V power adapter with universal connector

Popular Mounting Solutions		
Surface	Accessories not required	
Wall	PMAX-0316	
Pendant	PMAX-0111 PMAX-1400	
Pole	PMAX-0316 PMAX-0506	
Flush	PMAX-1021	
Gang Box	PMAX-0805	
NPT Standard Mounts	PMAX-0809 PMAX-1400	

* For more mounting solutions, please refer to Project Planner on www.acti.com

PRODUCT SPECIFICATION

E78

• Device

Device Type	Outdoor Dome Camera
Image Sensor	Progressive Scan CMOS
Sensor Size	1/2.8"
Effective Pixels	1944 (H) x 1224 (V) (2.38 MP)
Horizontal Resolution	1100 TVL
Day / Night	Yes
Low Light Sensitivity	Superior
Minimum Illumination	Color: 0.1 lux at F1.85 (30 IRE, 2400°K); B/W: 0 lux (IR LED on)
Color to B/W Switch	ISP based switch, configurable
Mechanical IR Cut Filter	Yes
IR Sensitivity Range	700~1100nm
IR LED	Adaptive IR LED x 10 (850nm)
IR Working Distance	30 m (0 lux, 30 IRE, Gain 255, Auto shutter mode)
Electronic Shutter	1/5" ~ 1/32000" (manual mode); 1/5" ~ 1/32000" (auto mode)
S/N Ratio	56 dB

• Lens

Focal Length / Aperture	Fixed focal, f3.6mm / F1.85
Iris	Fixed iris
Focus	Fixed focus
Mount Type	Board mount
Horizontal Viewing Angle	84.5°
Viewing Angle Adjustment	Pan: -175 ~ 175°; Tilt: 5° ~ 175°; Rotate: -175 ~ 175°

• Video

Compression	H.264 (Baseline / Main / High profile), MJPEG
Max. Frame Rate vs. Resolution	60 fps at 1920 x 1080; 60 fps at 1280 x 720; 30 fps at 640 x 480; 30 fps at 320 x 240
Multi-Streaming	Simultaneous triple streams based on three configurations
Bit Rate	128 Kbps - 12 Mbps (per stream)
Bit Rate Mode	Constant, Variable
Image Enhancement	Extreme WDR (145 dB); White balance: automatic, hold and manual; Brightness; Contrast; Sharpness (auto); Auto gain control; 2D+3D digital noise reduction; Flickerless; Defogging; Digital image stabilizer
Privacy Mask	4 configurable regions
Text Overlay	User defined text on video
Built-in Analytics	Face Detection, Object Based Motion Detection, Tampering, Line Crossing, Enter Area, Missing Object, Unattended Object, Loitering
Image Orientation	Image flip, mirror and rotation

• Audio

Compression	8kHz, Mono, PCM, 16 bit encoding, G.711
Audio-In	Cable with 3.5mm phone jack
Audio-Out	Cable with 3.5mm phone jack

• Network

Protocol & Service	TCP, UDP, HTTP, HTTPS, DHCP, PPPoE, RTP, RTSP, IPv4, IPv6, DNS, DDNS (ACTi), NTP, ICMP, ARP, IGMP, SMTP, FTP, UPnP, SNMP, Bonjour
Ethernet Port	1, Ethernet (10/100 Base-T), RJ-45 connector
Security	IP address filtering; HTTPS encryption; Password protected user levels; Anonymous login; IEEE 802.1X network access control

• Alarm

Alarm Trigger	Video motion detection (10 regions), External device through digital input, Sound detection, Intelligent event detection
Alarm Response	Notify control center, Change camera settings, Command other devices, E-mail notification with snapshots, Push notification to mobile device, Save video to local storage, Upload video to NVR server, Upload video or snapshot to FTP server, Activate external device through digital output

• Interface

Digital Input	1, Terminal block
Digital Output	1, Terminal block
Local Storage	MicroSDHC memory card slot (card not included)

• General

Power Source / Consumption	PoE Class 2 (IEEE802.3af) / 5.04W; DC 12V (adapter not included) / 3.96W
Weight	551g (1.21lb)
Dimensions (Ø x H)	115 x 87 mm (5.53" x 3.43")
Environmental Casing	Weatherproof (IP68 rated); Vandal proof (IK10 rated); Transparent dome cover
Mount Type	Surface, Wall, Pendant, Pole, Flush, Gang box
Starting Temperature	-40°C ~ 50°C (-40°F ~ 122°F)
Operating Temperature	-40°C ~ 50°C (-40°F ~ 122°F)
Operating Humidity	10% ~ 85% RH
Approvals	CE (EN 55022 Class B, EN 55024), FCC (Part15 Subpart B Class B); IP68, IK10, NEMA 4X, UL (for optional power adapter and PoE injector)

• Integration

Unified Solution	Fully compatible with ACTi software
ISV Integration	Software Development Kit (SDK) available; ONVIF compliant; GB28181 compliant
Firmware Access Browser	IE 11
Auto Firmware Upgrade	Yes
GPS Position	Manual Setting