



1.3

Active Megapixels 2.8-12mm Varifocal Lens STAR-LIGHT™ WDR Smart DNR™ **5 YEAR** Warranty



Summary

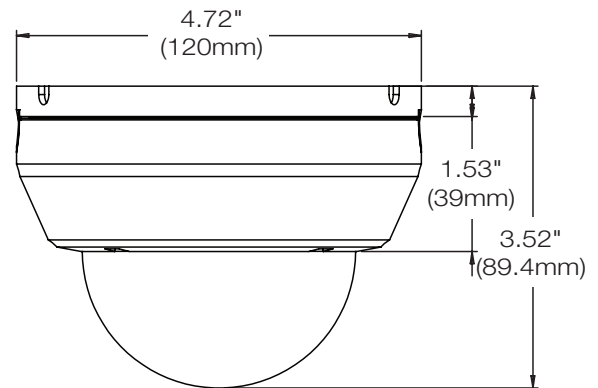
STAR-LIGHT MPA™ Megapixel Analog Cameras deliver up to 800TVL resolution with a 1.3MP CMOS sensor in any lighting conditions. QuickZoom™ technology lets you see the additional resolution without pixilation.

Features

- 1/3" 1.3MP CMOS, 820TVL [B/W], 800TVL [Color]
- 2.8~12mm Varifocal Auto Iris Lens
- QuickZoom™ Full Frame 8x Digital Zoom with no Loss in Resolution
- STAR-LIGHT™ Super Low Light Technology
- Wide Dynamic Range (WDR)
- Smart IR™ with Intelligent Camera Sync. 100ft Range
- Smart DNR™ 3D Digital Noise Reduction
- Highlight Masking Exposure (HME)
- De-Fog™ (Extreme Weather Image Compensation)
- Auto Sensing 24VAC/12VDC with Line Lock
- Secondary Video-BNC Output (While UTP in use)
- Easy Icon Driven OSD Menu with Built-in Joystick
- True Day/Night Mechanical IR Cut Filter
- Programmable Privacy Zones
- Auto Gain Control (AGC)
- Backlight Compensation (BLC)
- Dynamic Range Compressor (DRC) Reveals Low Light Detail
- Auto White Balance (AWB)
- UTP Built-In
- OSD Control via Coax (UTC)
- RS-485 Built-in
- Motion Trigger Output (5V)
- 5 Year Warranty

Dimensions

unit : inch (mm)



Specifications

VIDEO	
Image Sensor	1/3" 1.3MP CMOS Sensor
Active Pixels	1280 (H) x 1024 (V)
Scanning System	2 : 1 Interlace
Frequency	15.734KHz (H), 59.95Hz (V)
Synchronization	Internal or Line Lock
Horizontal Resolution	820 TV Lines [B/W], 800 TV Lines [Color]
Minimum Illumination	F1.2 (30IRE): 0.0 Lux
S/N Ratio	55dB (AGC off)
Video Output	CVBS: 1.0Vp-p / 75 Ω
Alarm Output	1 Alarm Output
LENS	
Focal Length	2.8~12 mm
Lens Type	Varifocal Auto Iris Lens
IR Distance	100ft Range IR
OPERATIONAL	
Shutter Speed	50(60) ~ 60,000s
Backlight	OFF / HME / BLC / WDR
Star-Light (Sense-Up)	OFF / x2 ~ x64
3D-DNR	OFF / Low / Middle / High
White Balance	ATW / AWB / PUSH / MANUAL
Day and Night	Auto / Day / Night
Mirror/ Flip	OFF / ON
Auto Gain Control	0 ~ 20
Intelligent Motion Detection	Digital QuickZoom™
Motion Detection	4 Motion Regions
Privacy Zones	16 Programmable Privacy Masks
Enhanced Day & Night Function	LED Operation point selection, External LED ON/OFF Control
Sharpness	0 ~ 10
Gamma	0.45 ~ 0.65
De-Fog	OFF / ON
ENVIRONMENTAL	
Operating Temperature	-4°F ~ 140°F (-20°C ~ 60°C)
Operating Humidity	Less than 90% (Non-Condensing)
ELECTRICAL	
Power Requirement	Dual Voltage (DC12V, AC24V)
Power Consumption	DC12V: 3.3W, 275mA, LED On: 5.94W, 495mA
	AC24V: 2.56W, 106mA, LED On: 4.9W, 204mA
MECHANICAL	
Housing Material	Plastic
Dimensions	4.72 x 3.52 Inches (120 x 89.4 mm)
Weight	0.5 lbs