

Overview



- Model 6062 programmable timer is suitable for many functions that require a timed operation e.g. Access Control Applications, Siren/Bell Cut Off Module, Dialer Delay, Guard Tour Supervisory Timer, etc. Some optional functions include: One Shot, Delayed Release, Delayed Operate, Delayed Pulse and Pulsar/Flasher.

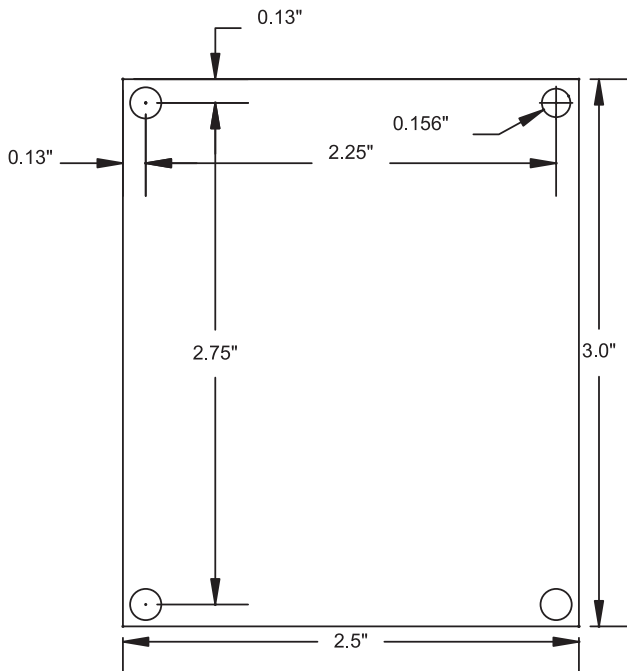
6062/DTMR1

- 12VDC or 24VDC operation is selectable.
- Form "C" relay contacts are 8 amp at 120VAC/28VDC.
- Current Draw: Stand-by 3mA, Relay Energized 40mA.

Specifications

- | | |
|--|--|
| <ul style="list-style-type: none"> • Quick and extremely accurate time range adjustment from 1 sec. to 60 min. • LED indicates relay is energized. • Triggers via positive DC (+) voltage, dry contact closure, or removal of contact closure. • Selectable relay activation at the start or end of the timing cycle. • One (1) second momentary relay activation at the end of the timing cycle (eliminates the need to use two (2) timers for this function). | <ul style="list-style-type: none"> • Built-in reset feature which cancels timing cycle. • Repeat (pulsar/flasher) mode. • Snap Trac compatible (order Altronix model #ST3) • DIN Rail Mount version available (order Altronix model # DTMR1). <p>Board dimensions (approximate): 3"L x 2.5"W x .75"H</p> |
|--|--|

6062 Mechanical Drawing



ST3 Mechanical Drawing

