

## DS-2DE4225W-DE3

### 2 MP Outdoor 25× Network Speed Dome



- **1/2.8" Progressive Scan CMOS**
- **Up to 1,920 x 1,080 Resolution**
- **Minimum Illumination:**  
Color: 0.005 Lux @ (F1.6, AGC ON)  
B/W: 0.001 Lux @ (F1.6, AGC ON)  
0 Lux with IR
- **H.265+/H.265 Video Compression**
- **25x Optical Zoom, 16x Digital Zoom**
- **120 dB WDR, EIS, Defog**
- **Smart Detection: Line Crossing, Intrusion, Region Enter/Exit**
- **IK10 Protection**
- **12 VDC/PoE+ (802.3 at, class4), 18 W**

Hikvision DS-2DE4225W-DE3 Network Speed Dome Cameras produce images with a resolution of up to 1,920 x 1,080 pixels.

The embedded 1/2.8" progressive scan CMOS chip supports Digital WDR, and the 25x optical zoom allows for greater detail to be collected over more expansive areas.

The Network Speed Dome Camera also features a wide range of smart functions, including intrusion detection, line crossing detection, and audio exception, which allows for key events and objects to be recorded for further forensic needs.

**Available models:**  
DS-2DE4225W-DE3



# Specifications

## DS-2DE4225W-DE3

### Camera Module

Image Sensor	1/2.8" progressive scan CMOS
Minimum Illumination	Color: 0.005 Lux @(F1.6, AGC ON); B/W: 0.001 Lux @(F1.6, AGC ON); 0 Lux with IR
Shutter Time	1/1 to 1/30,000 s
White Balance	Auto / manual / ATW [auto-tracking white balance] / indoor / outdoor / fluorescent lamp / sodium lamp
AGC	Auto / manual
Day and Night	IR cut filter
Digital Zoom	16×
Privacy Mask	24 programmable privacy masks
Focus Mode	Auto / semi-automatic / manual
WDR	120 dB
Rapid Focus	Supported

### Lens

Focal Length	4.8 mm to 120 mm, 25× optical zoom
Zoom Speed	Approximately 3.6 s (optical lens, wide to tele)
Angle of View	Horizontal field of view: 57.6° to 2.5° (wide to tele); vertical field of view: 34.4° to 1.4° (wide to tele); diagonal field of view: 64.5° to 2.9° (wide to tele)
Minimum Working Distance	10 mm to 1,500 mm (wide to tele)
Aperture Range	F1.6 to F3.5

### PTZ

Movement Range (Pan)	360° endless
Pan Speed	Configurable, from 0.1°/s to 160°/s, Preset Speed: 160°/s
Movement Range (Tilt)	From -20° to 90° (auto-flip)
Tilt Speed	Configurable, from 0.1°/s to 120°/s, Preset Speed: 120°/s
Proportional Zoom	Supported
Presets	300
Patrol Scan	8 patrols, up to 32 presets for each patrol
Pattern Scan	4 pattern scans, record time over 10 minutes for each scan
Power-off Memory	Supported
Park Action	Preset / pattern scan / patrol scan / auto scan / tilt scan / random scan / frame scan / panorama scan
3D Positioning	Supported
PTZ Status Display	Supported
Preset Freezing	Supported
Scheduled Task	Preset / pattern scan / patrol scan / auto scan / tilt scan / random scan / frame scan / panorama scan / dome reboot / dome adjust / aux output

### Compression Standard

Video Compression	Main stream: H.265+ / H.265 / H.264+ / H.264; sub-stream: H.265 / H.264 / MJPEG; third stream: H.265 / H.264 / MJPEG
H.264 Type	Baseline profile / main profile / high profile
H.264+	Supported
H.265 Type	Baseline profile / main profile / high profile
H.265+	Supported
Video Bitrate	32 kbps to 16,384 kbps
Audio Compression	G.711alaw / G.711ulaw / G.722.1 / G.726 / MP2L2 / PCM
Audio Bitrate	G.711alaw / G.711ulaw: 64 Kbps; G.722.1 / G.726: 16 Kbps; MP2L2 / PCM: 32 Kbps / 64 Kbps / 128 Kbps

### Smart Features

Basic Event	Motion detection, alarm input, alarm output, video tampering detection, exception detection
SmartEvent	Intrusion detection, line crossing detection, region entrance detection, region exiting detection, object removal detection, unattended baggage detection
Smart Recording	ANR (Automatic Network Replenishment), Dual-VCA
ROI	Main stream, sub-stream, and third stream respectively support four fixed areas

### Image

Maximum Resolution	1,920 × 1,080
Main Stream	30 fps (1920 × 1080, 1280 × 960, 1280 × 720), 60 fps (1280 × 960, 1280 × 720)
Sub-Stream	30 fps (704 × 480, 640 × 480, 352 × 240)
Third Stream	30 fps (1920 × 1080, 1280 × 960, 1280 × 720, 704 × 480, 640 × 480, 352 × 240)
Image Enhancement	HLC / BLC / 3D DNR / Defog / EIS / Regional Exposure / Regional Focus

### Network

Network Storage	Built-in memory card slot, support microSD / SDHC / SDXC, up to 256 GB; NAS (NFS, SMB / CIFS), ANR
Alarm Linkage	Alarm actions, such as notify surveillance center, upload to FTP, send email, trigger recording, recording linkage, and alarm input, etc.
Protocols	IPv4 / IPv6, HTTP, HTTPS, 802.1x, Qos, FTP, SMTP, UPnP, SNMP, DNS, DDNS, NTP, RTSP, RTCP, RTP, TCP / IP, DHCP, PPPoE, Bonjour
API	Open-ended, support ONVIF, ISAPI, and CGI, support for HIKVISION SDK and third-party management platforms
Simultaneous Live View	Up to 20 channels
User / Host	Up to 32 users. Three levels: administrator, operator, and user
Security Measures	User authentication (ID and PW), Host authentication (MAC address); HTTPS encryption; IEEE 802.1x port-based network access control; IP address filtering
Client	iVMS-4200, iVMS-4500, iVMS-5200, Hik-Connect
Web Browser	IE 8 to 11, Chrome 31.0 to 44, Firefox 30.0 to 51

### Interface

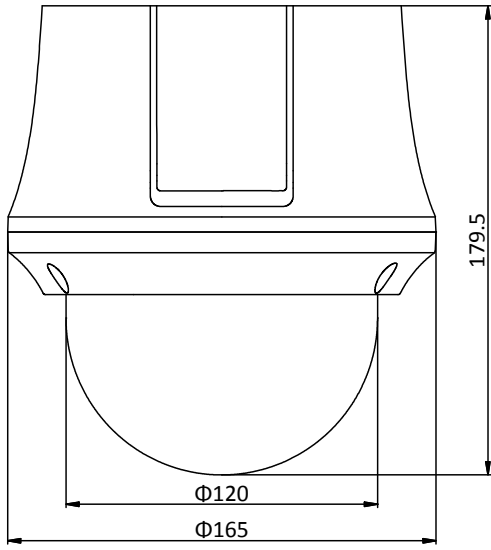
Alarm Interface	1-ch alarm input and 1-ch alarm output
Audio Interface	1-ch audio input and 1-ch audio output
Network Interface	1 RJ45 10 M/100 M Ethernet, PoE+ (802.3 at, class4)

### General

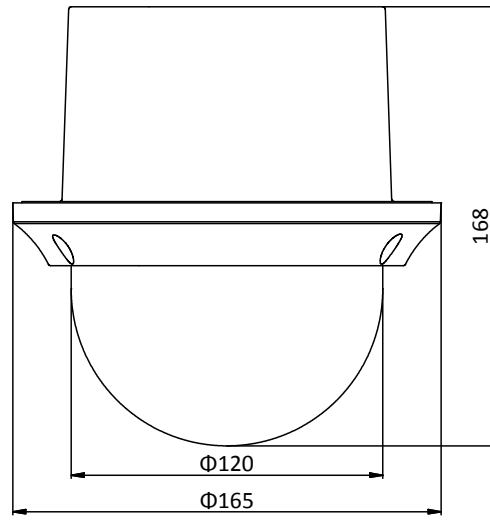
Power	12 VDC and PoE+ (802.3 at, class4); maximum: 18 W
Working Temperature	-14° F to 122° F (-10° C to 50° C); humidity: ≤ 90%
Protection Level	IK 10, TVS 4,000V lightning protection, surge protection and voltage transient protection
Material	ADC 12, PC + ABS, PC / PMMA
Dimensions	Ceiling mounted model: Ø 6.50" × 7.07" (Ø 165 mm × 179.5 mm); in-ceiling mounted model: Ø 6.50" × 6.61" (Ø 165 mm × 168 mm)
Weight	Approximately 4.41 lb (2 kg)

# Dimensions

Ceiling Mounting



In-Ceiling Mounting



Unit: mm