

## DS-2CD6424FWD-xx Series 2 MP Covert Network Camera

- 1/2.7" Progressive Scan CMOS
- 1920 x 1080 @ 30 fps Real-Time Output
- True WDR, Up to 120 dB
- Supports PoE
- Built-in MicroSD/SDHC/SDXC Card Slot, Up to 128 GB
- HLC, Defog
- Various Front-Ends Available

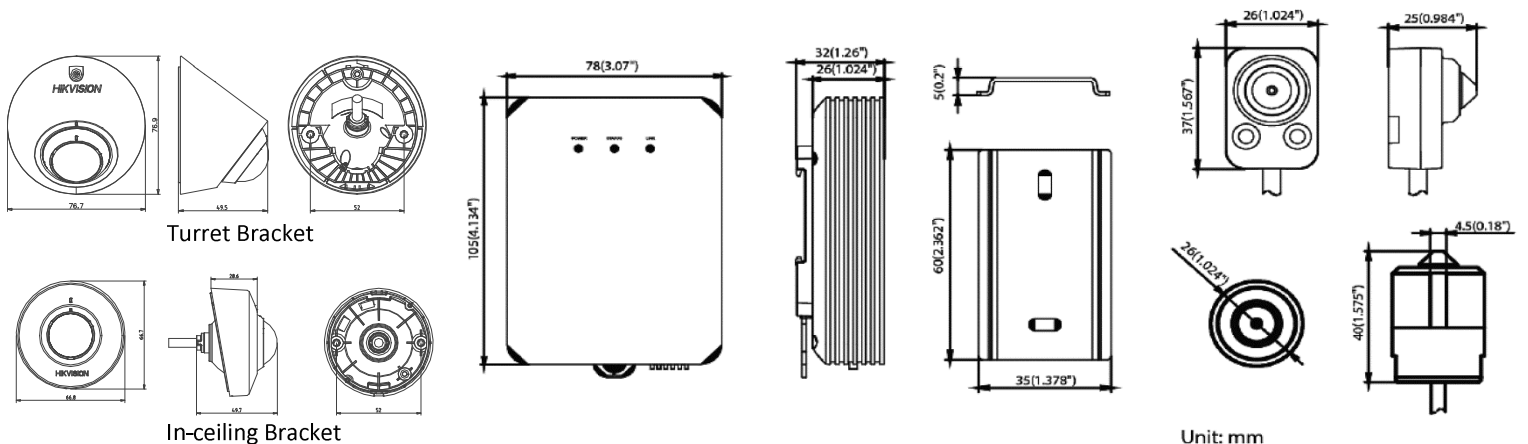


DS-2CD6424FWD-xx is a covert camera for ATM surveillance. Options include single or dual lens camera body; cylindrical, L-shaped, and tube shaped lens; 26 ft (8 m) cable between lens and camera body for flexible installation.

1080p HD resolution for real-time output; rotate mode, BLC, true WDR for different environments.

**Available Models:** (different accessories included w/each lens)  
 DS-2CD6424FWD-10: Body w/cylindrical lens  
 DS-2CD6424FWD-20: Body w/L-shaped lens  
 DS-2CD6424FWD-30: Body w/tube lens  
 DS-2CD6424FWD-40/E1: Body w/ball head turret  
 DS-2CD6424FWD-40/E2: Body w/ball head

### Dimensions



	DS-2CD6424FWD-10	DS-2CD6424FWD-20	DS-2CD6424FWD-30	DS-2CD6424FWD-40/E1	DS-2CD6424FWD-40/E2
<b>Camera</b>					
Image Sensor	1/2.7" progressive scan CMOS				
Minimum Illumination	0.01 lux @ <i>f</i> /1.2, AGC on, 0 lux with IR; 0.028 lux @ <i>f</i> /2.0, AGC on, 0 lux with IR				
Shutter Speed	1s to 1/100,000s				
Slow Shutter	Supported				
Lens	3.7 mm @ <i>f</i> /2.5, angle of view: 65°		2.8 mm @ <i>f</i> /2.0, angle of view: 115°		
Lens Type	Cylindrical	Block Shaped	Tube	Ball Head Turret	Ball Head
Lens Mount	M12				
WDR	120 dB				
DNR	3D Digital Noise Reduction				
Lens Cable Length	26 ft (8 m)				
<b>Compression Standard</b>					
Video Compression	H.264/MJPEG				
H.264 Type	Baseline profile/main profile/high profile				
Video Bit Rate	32 Kbps to 16 Mbps				
Audio Compression	G.711/G.722.1/G.726/MP2L2				
Audio Bit Rate	64 Kbps (G.711)/16 Kbps (G.722.1)/16 Kbps (G.726)/32 to 160 Kbps (MP2L2)				
<b>Image</b>					
Maximum Resolution	1920 × 1080				
Frame Rate	50 Hz: 25 fps (1920 × 1080, 1280 × 960, 1280 × 720) 60 Hz: 30 fps (1920 × 1080, 1280 × 960, 1280 × 720)				
Third Stream	Independent with main stream, up to 50 Hz: 10 fps (1280 × 960); 60 Hz: 10 fps (1280 × 960)				
Image Settings	Rotate mode (first channel), saturation, brightness, contrast, sharpness, and gray scale adjustable				
BLC	Yes, zone optional				
Defog	Supported				
Highlight Compensation	Supported				
Day/Night Mode	Auto/timing/alarm trigger				
Image Overlay	Supports 128 × 128 size BMP with 24-bit depth image overlay, zone optional				
ROI	Up to 4 fixed areas in each stream				
<b>Network</b>					
Network Storage	MicroSD/SDHC/SDXC slot, up to 128 GB, Edge recording, NAS (NFS, SMB/CIFS)				
Alarm Trigger	Motion detection, face detection, dynamic analysis, tampering alarm, network disconnect, IP address conflicts, storage full, storage error, intrusion detection, line crossing detection, defocus detection, audio exception detection, scene change detection				
Protocols	TCP/IP, ICMP, HTTP, HTTPS, FTP, DHCP, DNS, DDNS, RTP, RTSP, RTCP, PPPoE, NTP, UPnP, SMTP, SNMP, IGMP, 802.1X, QoS, IPv6, Bonjour				
Standard	ONVIF (PROFILE S, PROFILE G), PSIA, CGI, ISAPI				
General	Reset, flickerless, multi-stream, heartbeat, rotate, password protection, video masking, watermark, anonymous login, IP address filtering				
<b>Interface</b>					
Communication	1 RJ-45 10M/100M Ethernet interface				
Audio Interface	1 3.5 mm audio in (mic in/line in)/out interface				
Alarm Input	1				
Alarm Output	1				
<b>General</b>					
Working Temperature and Humidity	-22° to 140° F (-30° to 60° C) Humidity 95% or less (non-condensing)				
Power Supply	12 VDC ±10%/PoE (802.3af)				
Power Consumption	Maximum 6.5 W				
Ingress Protection	---	---	---	IP66	IP66
Dimensions	78 mm × 105 mm × 32 mm (3.07" × 4.13" × 1.26")				
Shipping Weight	<680 g				
Net Weight	Main Body: 7.4 oz (210 g) Cylindrical Lens: 6.56 ft (2 m) = 3.99 ozs (113 g), 26 ft (8 m) = 8.21 ozs (233 g) L-shaped Lens: 6.56 ft (2 m) = 3.5 ozs (99 g), 26 ft (8 m) = 7.76 ozs (220 g) Tube Lens: 6.56 ft (2 m) = 4.55 ozs (129 g), 26 ft (8 m) = 8.54 ozs (242 g) Package + Accessories: 7.9 ozs (224 g)				

## Lenses

