

# DS-2CD6412FWD Series

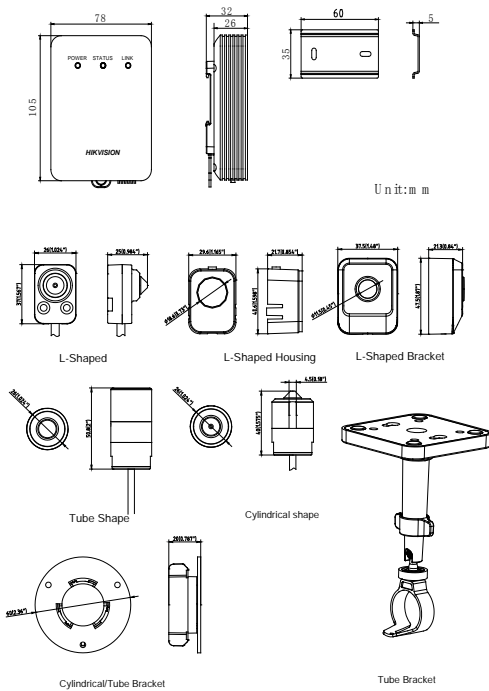
## 1.3 MP 1/3" WDR Covert Network Camera



### Key Features

- Up to 1280 x 960 High Resolution @ 30 fps
- Full HD720p Video
- Smart Codec
- 120 dB WDR, 3D DNR
- Triple Streams
- EIS (Electronic Image Stabilization)

### Dimensions



### Order Models

- DS-2CD6412FWD-C2: Camera body with two lens interfaces (base unit only, no lenses included)
- DS-2CD6412FWD-L10: Cylindrical shaped lens
- DS-2CD6412FWD-L20: L-shaped lens
- DS-2CD6412FWD-L30: Tube shaped lens

DS-2CD6412FWD Series	
<b>Camera</b>	
Image Sensor	1/3" progressive scan CMOS
Minimum Illumination	- L10/L20: color: 0.04 lux @ (f/2.3, AGC on) - L30: color: 0.04 lux @ (f/2.0, AGC on)
Shutter Speed	1/1 to 1/100,000 sec
Slow Shutter	Supported
Lens	- L10/L20: 3.7 mm @ f/2.3, angle of view: 57° - L30: 2.8 mm @ f/2.0, 4 mm @ f/2.0; angle of view: 92.5° (2.8 mm), 73.1° (4 mm)
Day/Night	Electronic
Digital Noise Reduction	3D DNR
Wide Dynamic Range	120 dB
Number of Lenses	- C2: Camera body supports two lenses (not included)
Length of Lens Cable	8 m
<b>Compression Standard</b>	
Video Compression	H.264/MPEG4/MJPEG
H.264 Type	Baseline Profile/Main Profile/High Profile
Video Bit Rate	32 Kbps to 16 Mbps
Audio Compression	G.711/G.722.1/G.726/MP2L2
Audio Bit Rate	64 Kbps (G.711)/16 Kbps (G.722.1)/16 Kbps (G.726)/32 to 128 Kbps (MP2L2)
<b>Image</b>	
Maximum Resolution	1280 × 960
Main Stream	30 fps (1280 × 960), 30 fps (1280 × 720)
Sub Stream	(4CIF, CIF, VGA) @ 25/30 fps
Third Stream	Only single channel camera supports third stream, which is independent from main stream, up to 30 fps (1280 × 960)
Image Settings	Rotate mode (first channel), saturation, brightness, contrast, sharpness, and grayscale adjustable
BLC	Supported, zone optional
Defog	Supported
EIS	Supported (first channel)
Highlight Compensation	Supported
Day/Night Switch	Auto/timing/alarm trigger
ROI	Supported
Picture Overlay	Supports 128 × 128 size BMP with 24-bit depth image overlay, zone optional
<b>Network</b>	
Network Storage	Supports microSD/SDHC/SDXC slot, up to 128 GB, edge recording, NAS (NFS,SMB/CIFS)
Alarm Trigger	All models: motion detection, dynamic analysis, tampering alarm, network disconnect, IP address conflicts, storage full, storage error
Protocols	TCP/IP, ICMP, HTTP, HTTPS, FTP, DHCP, DNS, DDNS, RTP, RTSP, RTCP, PPPoE, NTP, UPnP, SMTP, SNMP, IGMP, 802.1X, QoS, IPv6, Bonjour
Common Features	Reset, flickerless, multi-stream, heartbeat, rotate, password protection, video masking, watermark, anonymous login, IP address filtering
Standards	ONVIF, PSIA, CGI, ISAPI
<b>Interface</b>	
Audio Interface	1 3.5 mm audio input (mic in/line in)/output external interface
Communication Interface	1 RJ-45 10M/100M Ethernet interface/1 RS-232/1 RS-485
Alarm Input/Output	1/1
<b>General</b>	
Operating Conditions	-30° C to 60° C (-22° F to 140° F), humidity 95% or less (non-condensing)
Power Supply	12 VDC ±10%, PoE (802.3af)
Power Consumption	Maximum 6.5 W
Dimensions	78 mm × 105 mm × 32 mm (3.07" × 4.13" × 1.26")
Shipping Weight	2 m cable: <570 g/8 m cable: <680 g
Net Weight (approximate)	Main body: 210 g (7.41 oz) Cylindrical lens: 113 g (2 oz), 233 g (8 oz) L-shaped lens: 99 g (2 m), 220 g (8 oz) Tube lens: 129 g (2 oz), 242 g (8 oz) Package + accessories: 224 g (7.9 oz)