

DS-2CD55C5G0-IZHS

12 MP Outdoor Varifocal Network Dome Camera



- 1/1.7" (12 MP) Progressive Scan CMOS
- 4000 x 3000 Resolution @ 20 fps
- EXIR 2.0 with up to 100 ft (30 m) IR Range
- New Anti-IR Reflection Capsule
- 2.8 to 12 mm Motorized Lens
- H.265+, H.265, H.264+, H.264
- 5 Defined Streams and 5 Custom Streams
- Digital WDR
- Alarm and Audio Input/Output
- MicroSD Card Slot Supports 256 GB
- Anti-Fog Coating on Inside of Lens Cover
- IP67, IK10 Protection
- 12 VDC and PoE (802.3af)
- 12 VDC Accessory Output

The Hikvision DS-2CD55C5G0-IZHS Outdoor Varifocal Network Dome Camera provides high definition output. It supports H.265+ video compression, which assures savings in bandwidth and storage.

The camera is equipped with a 2.8 to 12 mm motorized varifocal lens, and offers an EXIR 2.0 IR range of up to 100 ft (30 m).

Smart features, such as line crossing, intrusion, scene change detection, region entrance detection, region exiting detection, unattended baggage detection and object removal detection are supported.

Available models:
DS-2CD55C5G0-IZHS



Specifications

DS-2CD55C560-IZHS

Camera

Image Sensor	1/1.7" Progressive Scan CMOS
Minimum Illumination	Color: 0.008 Lux @ (f/1.2, AGC ON), 0 Lux with IR
Shutter Speed	1 s to 1/100,000 s
Slow Shutter	Yes
Day/Night	IR Cut Filter
Digital Noise Reduction	3D DNR
WDR	Digital
Angle Adjustment	Pan: 0° to 355°, tilt: 0° to 75°, rotate: 0° to 355°

Lens

Focal Length	2.8 to 12 mm
Aperture	f/1.2
Focus	Auto, semi-auto, manual
FOV	2.8 to 12 mm, horizontal FOV 101° to 36.1°, vertical FOV 72° to 27.2°, diagonal FOV 130° to 45.2°
Lens Mount	Integrated

IR

IR Range	Up to 100 ft (30 m)
Wavelength	850 nm

Compression Standard

Video Compression	Main stream: H.265+/H.265/H.264+/H.264; sub stream/third stream/fourth stream/fifth stream/custom stream: H.265+/H.265/H.264+/H.264/MJPEG
H.264 Type	Baseline profile/main profile/high profile
H.264+	Main stream
H.265 Type	Main profile
H.265+	Main stream
Video Bit Rate	32 Kbps to 16 Mbps
Audio Compression	G.711/G.722.1/G.726/MP2L2/PCM
Audio Bit Rate	64 kbps (G.711) / 16 kbps (G.722.1)/16 kbps (G.726)/32 to 160 kbps (MP2L2)

Smart Features

Behavior Analysis	Line crossing detection, intrusion detection, region entrance detection, region exiting detection, unattended baggage detection, object removal detection
Exception Detection	Scene change detection, audio exception detection, defocus detection
Statistics	Counting
Face Detection	Yes
Region of Interest	Four fixed regions for main stream, sub stream, third stream, fourth stream, fifth stream, and dynamic face tracking

Image

Maximum Resolution	4000 × 3000
Main Stream	20 fps (4000 × 3000), 30 fps (4096 × 2160, 3840 × 2160, 3072 × 1728, 2560 × 1440, 1920 × 1080, 1280 × 720)
Sub Stream	30 fps (704 × 480, 640 × 480)
Third Stream	30 fps (1920 × 1080, 1280 × 720, 704 × 480, 640 × 480)
Fourth Stream	30 fps (1920 × 1080, 1280 × 720, 704 × 480, 640 × 480)
Fifth Stream	30 fps (704 × 480, 640 × 480)
Custom Stream	30 fps (1920 × 1080, 1280 × 720, 704 × 480, 640 × 480); up to five custom streams are supported
Image Enhancement	BLC, HLC, 3D DNR, Defog, EIS
Image Setting	Rotate mode, saturation, brightness, contrast, sharpness, AGC, and white balance are adjustable by client software or web browser
Target Cropping	Yes
SVC	H.264 and H.265 encoding
Day/Night Switching	Day/night/auto/schedule/triggered by alarm in
Picture Overlay	Logo picture can be overlaid on video with 128 x 128 24 bit bmp format

Network

Network Storage	MicroSD/SDHC/SDXC card (256 GB), local storage and NAS (NFS,SMB/CIFS), ANR
Alarm Trigger	Motion detection, video tampering alarm, network disconnected, IP address conflict, illegal login, HDD full, HDD error
Protocols	TCP/IP, ICMP, HTTP, HTTPS, FTP, DHCP, DNS, DDNS, RTP, RTSP, RTCP, PPPoE, NTP, UPnP, SMTP, SNMP, IGMP, 802.1X, QoS, IPv6, UDP, Bonjour
Security Measures	Password protection, HTTPS encryption, IEEE 802.1x port-based network access control, IP address filtering, basic and digest authentication for HTTP/HTTPS, WSSE, and digest authentication for ONVIF
General Function	One-key reset, anti-flicker, 5 streams and up to 5 custom streams, heartbeat, password protection, privacy mask, watermark, and IP address filtering
API	ONVIF (PROFILE S, PROFILE G), ISAPI, SDK
Simultaneous Live View	Up to 20 channels
User/Host	Up to 32 users. 3 user levels: administrator, operator and user
Client	iVMS-4200, Hik-Connect, Hik-Central
Web Browser	Plug-in required live view: IE 8 to 11, Chrome 41 to 44, Mozilla Firefox 30.0 to 51, Safari 8.0+ Plug-in free live view: Chrome 45+, Mozilla Firefox 52+

Interface

Audio	1-ch 3.5 mm input (line in), 1-ch 3.5mm output, mono
Communication Interface	1-port RJ45 10M/100M/1000M Ethernet port
Alarm	1-ch input, 1-ch output (up to 24 VDC 1A or 110 VAC 500 mA)
Video Output	1 Vp-p composite output (75 Ω/CVBS)
Power Output	12 VDC, maximum of 200 mA (supported by all power source types)
On-Board Storage	Built-in microSD/SDHC/SDXC slot, up to 256 GB
Reset Button	Yes





Audio

Environment Noise Filtering	Yes
Audio Sampling Rate	8 kHz/16 kHz/32 kHz/44.1 kHz/48 kHz

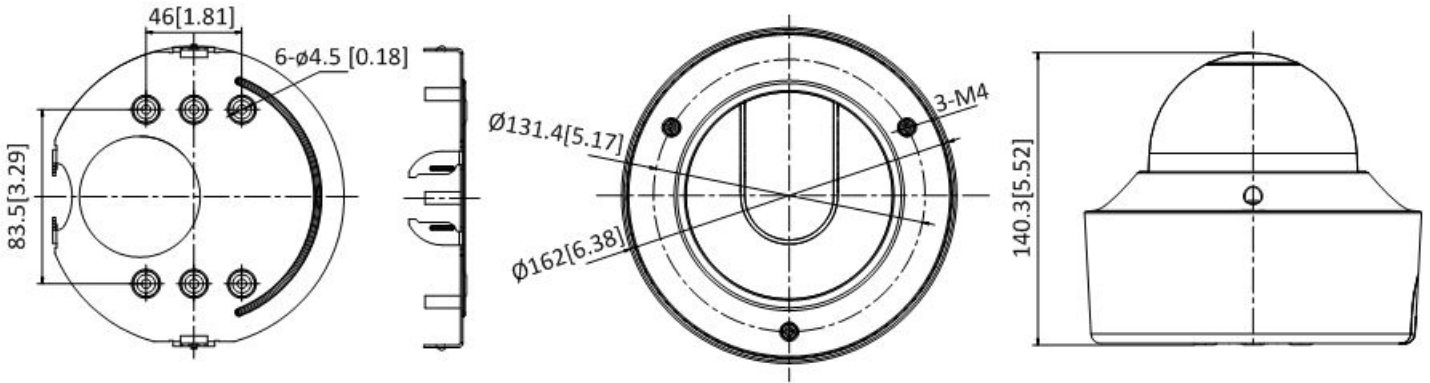
General

Operating Conditions	-40° F to 149° F (-40° C to 65° C); humidity 95% or less (non-condensing)
Power Supply	Recommended DC input 12 V, voltage range of 10 to 48 VDC allowed, two-core terminal block, PoE (802.3at, class 4)
Power Consumption and Current	With extra load: 12 VDC, 1.4 A, maximum 17 W; PoE (802.3at, 42.5 V to 57 V), 0.4 A to 0.3 A, class 4 Without extra load: 12 VDC, 1.2 A, maximum 15 W; PoE (802.3at, 42.5 V to 57 V), 0.4 A to 0.3 A, class 4 "With extra load" means that an extra device is connected to and powered by the camera.
Protection Level	IP67, IK10
Heater	Yes
Material	Aluminum alloy
Dimensions	Camera: Ø 6.4" x 5.5" (Ø 162 mm x 140.3 mm)
Weight	Camera: 3.31 lbs (1.50 kg)

Accessories

			
WML + PC155 Wall Mount Long + 155 mm Pendant Cap	CPM + PC155 Ceiling Pendant Mount + 155 mm Pendant Cap	PM1 Pole Mount	CM1 Corner Mount

Dimensions



Unit: mm[inch]