

## Overview

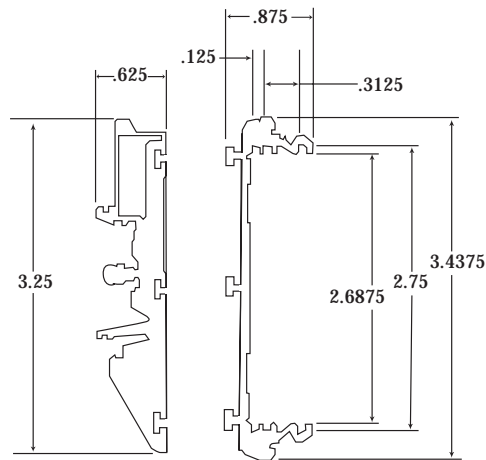


- This unit converts a low voltage AC input into 6VDC, 12VDC or 24VDC output. These general purpose power supplies have a wide range of applications for access control, security and CCTV system accessories that require additional power.

## Specifications

- |   |   |
|---|---|
| <ul style="list-style-type: none"> <li>• 6VDC, 12VDC or 24VDC selectable outputs.</li> <li>• 2.5 amp supply current.</li> <li>• Filtered and electronically regulated output.</li> <li>• Short circuit and thermal overload protection.</li> <li>• Battery short circuit protection (circuit breaker).</li> <li>• Built-in charger for sealed lead acid or gel type batteries.</li> <li>• Maximum charge current .3 amp.</li> </ul> | <ul style="list-style-type: none"> <li>• Automatic switch over to stand-by battery when AC fails (zero voltage drop).</li> <li>• AC input and DC output LED indicators.</li> <li>• Extremely compact design.</li> <li>• Includes Snap Trac (Altronix model # ST3) and mounting clips for DIN Rail mounting capability.</li> </ul> |
|---|---|

## ST3 Mechanical Drawing



## Board Dimensions (approximate):

3.5"H x 2.75 "W x 1.75 "H

