

Overview

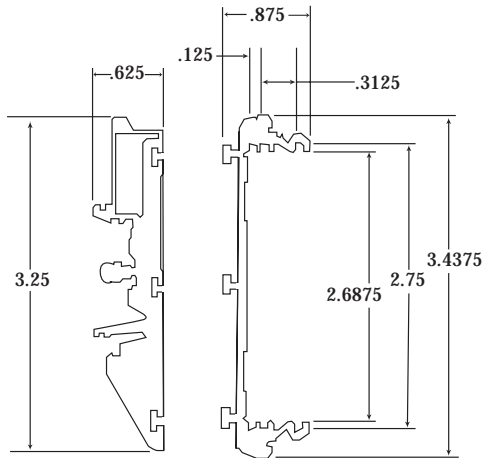


- This unit converts a low voltage AC input into 6VDC, 12VDC or 24VDC output. These general purpose power supplies have a wide range of applications for access control, security and CCTV system accessories that require additional power.

Specifications

- 6VDC, 12VDC or 24VDC selectable outputs.
- 1.2 amp @ 6VDC or 12VDC supply current or .75 amp @ 24VDC supply current.
- Filtered and electronically regulated output.
- Short circuit and thermal overload protection.
- Battery short circuit protection (circuit breaker).
- Built-in charger for sealed lead acid or gel type batteries.
- Maximum charge current .3 amp.
- Automatic switch over to stand-by battery when AC fails (zero voltage drop).
- AC input and DC output LED indicators.
- Extremely compact design.
- Includes Snap Trac (Altronix model # ST3) and mounting clips for DIN Rail mounting capability.

ST3 Mechanical Drawing



Board Dimensions (approximate):

3"L x 2.5"W x 1.5"H

