

Overview

- Door Control Timers.



DL1

- Dry relay output (1 form "C" contact, rated @ 2 amp).
- 12VDC regulated beeper output.

DL3

- DC "NC" and "NO" outputs to use with door magnet or door strike.
- On-board sounding device.



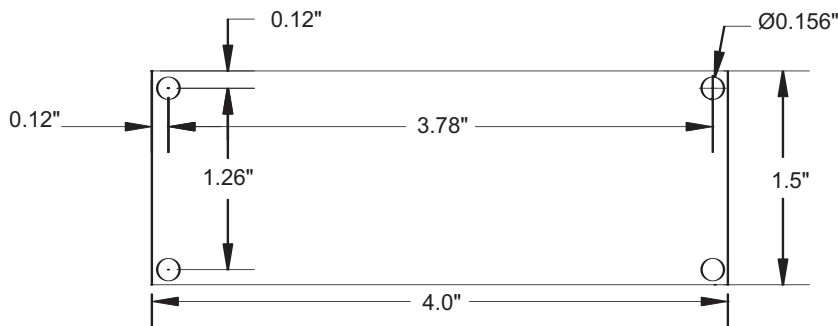
Specifications

- 12 volt - 24 volt AC or DC operation.
- Isolated AC or DC voltage 5V-24V trigger.
- Time adjustable from 1 second to 1 minute.
- Momentary or maintained trigger.

Board Dimensions (approximate)

DL1: 4"L x 1.5"W x .75"H

Mounting Diagram



Board Dimensions (approximate)

DL3: 4.5"L x 1.31"W x .75"H

Mounting Diagram

