

# DF5 Series Fixed Mount Dome

## 5-INCH, INDOOR/OUTDOOR, CEILING/PENDANT, STANDARD/HEAVY-DUTY

### Product Features

- 5.9-Inch Acrylic Bubble
- Plenum-Rated Back Box
- Cosmetically Matches Spectra® Dome
- Indoor and Environmental Models Available
- Hard Ceiling and Suspended Ceiling Applications
- Versatile and Adjustable Fixed Camera Mount Bracket
- Environmentally Sealed and Weatherized Pendant Models Available for Use in Temperatures to -60°F (-51°C)
- Pendant Models Meet NEMA Type 4X, IP66 Standards
- Heavy-Duty Models
  - Tough, Reinforced Construction
  - 0.090-Inch Injection-Molded Polycarbonate Bubble
  - Barrel-Type Key Locks



PENDANT MODEL DF5-PG-E0  
(SHOWN WITH SWM-GY WALL MOUNT)



HEAVY-DUTY IN-CEILING MODEL  
DF5HD-1

Pelco's **DF5 Series** is a low profile, fixed mount, dome for in-ceiling or pendant applications. The dome is easy to install and features a versatile fixed camera mount that allows for 360 degree camera positioning. Standard and tamper/impact-resistant (heavy-duty) models are available. Heavy-duty models are ideal for installations where structural integrity and resistance to vandalism are a priority.

**DF5 Series** in-ceiling models are available with a standard (DF5), shortened (DF5S), or heavy-duty (DF5HD) back box. The standard and shortened back box models can be installed in a hard ceiling or standard suspended ceiling. The shortened back box version can also be mounted directly to a hard ceiling using an optional bezel to conceal the back box for a seamless installation. The heavy-duty model should only be installed in a fixed ceiling to optimize the integrity of the vandal-resistant design.

The **DF5 Series** pendant models mount directly to any recommended mount, flush to a ceiling, or to 1.5-inch NPT female threaded pipe and

are available for indoor and environmental applications. All environmental versions include a sun shield and heater kit and are suitable for use in temperatures to -60°F (-51°C). Heavy-duty pendant models (DF5HD-PG) are strengthened by a thicker sun shroud and dual wall construction.

A variety of lower domes are available for this series. Standard and shortened back box models are equipped with an acrylic bubble; available colors for standard models include smoked, clear, chrome, or gold, and smoked or clear for shortened models. The standard back box is also available with a flat acrylic window for use in applications where overhead space is minimal. Flat window colors are clear or smoked. All heavy-duty domes feature a clear polycarbonate bubble, 0.090-inch thick, which provides an optimum combination of strength and optical clarity.

**DF5 Series** options include an aluminum ceiling panel (SD5-P) for suspended ceiling applications, a pendant conduit adapter (BB5-PCA-BK



# TECHNICAL SPECIFICATIONS, IN-CEILING DOMES

## MECHANICAL

Cable Entry 0.75-inch conduit fitting

## GENERAL

Maximum Camera and Lens Size

DF5, DF5S, and DF5HD (Including BNC connector)\*  
5.00" L x 2.75" W x 2.75" H  
(12.70 x 6.99 x 6.99 cm)  
DF5-OF (Including mini BNC connector)  
4.5" L x 2.75" W x 2.75" H  
(11.43 x 6.99 x 6.99 cm)

Construction

Back Box Aluminum  
Mounting Bracket Steel

Bubble

DF5 Acrylic (smoked, clear, chrome, or gold)  
DF5S Acrylic (smoked or clear)  
DF5HD Series Clear polycarbonate bubble, 0.090-inch thick  
DF5-OF Smoked acrylic flat window, 0.06-inch thick

Unit Weight

DF5 Series 2.80 lb (1.27 kg)  
DF5S Series 2.65 lb (1.20 kg)  
DF5HD Series 3.77 lb (1.71 kg)  
DF5-OF 2.65 lb (1.20 kg)

Shipping Weight

DF5 Series 6.0 lb (2.72 kg)  
DF5S Series 5.0 lb (2.27 kg)  
DF5HD Series 7.0 lb (3.18 kg)  
DF5-OF 6.0 lb (2.72 kg)

\*Assumes lens is fully extended.

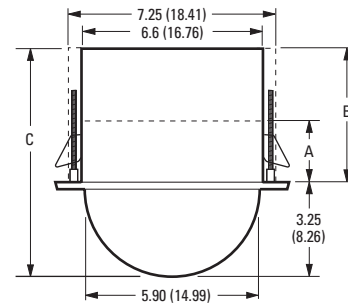
## ENVIRONMENTAL

Environment Indoor only  
Operating Temperature 32° to 122°F (0° to 50°C)

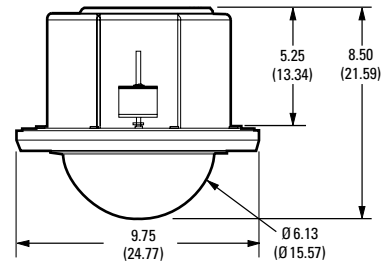
## CERTIFICATIONS/RATINGS

- UL/cUL Listed
- Meets NEMA Type 1 and IP20 standards

LETTER	MODEL	DIMENSION
A	DF5S SERIES	2.75 (6.99)
B	DF5 SERIES	5.25 (13.34)
C	DF5-OF	5.60 (14.22)



STANDARD IN-CEILING DOME



HEAVY-DUTY IN-CEILING DOME

NOTE: VALUES IN PARENTHESES ARE CENTIMETERS; ALL OTHERS ARE INCHES.

# TECHNICAL SPECIFICATIONS, PENDANT DOMES

## MECHANICAL

Cable Entry Through 1.5-inch NPT pendant mount

## ELECTRICAL

Input Voltage 24 VAC (environmental models only)  
 Input Power 58 VA (for heater)

## GENERAL

Maximum Camera and Lens Size (Including BNC connector)\*  
 5.00" L x 2.75" W x 2.75" H  
 (12.70 x 6.99 x 6.99 cm)

Construction  
 Back Box Aluminum  
 Mounting Bracket Steel  
 Bubble  
 DF5-PG Series Acrylic (smoked or clear)  
 DF5HD-PG Series Clear polycarbonate, 0.090-inch thick

Unit Weight  
 DF5-PG Series  
 Indoor 3.65 lb (1.66 kg)  
 Outdoor 5.30 lb (2.40 kg)  
 DF5HD-PG Series  
 Indoor 6.28 lb (2.85 kg)  
 Outdoor 6.58 lb (2.98 kg)

Shipping Weight  
 DF5-PG Series  
 Indoor 7.05 lb (3.20 kg)  
 Outdoor 8.65 lb (3.92 kg)  
 DF5HD-PG Series  
 Indoor 13.0 lb (5.90 kg)  
 Outdoor 14.0 lb (6.35 kg)

\*Assumes lens is fully extended.

## ENVIRONMENTAL

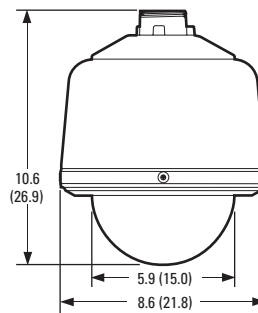
Environment Indoor or outdoor (model dependent)

Operating Temperature  
 Indoor 32° to 122°F (0° to 50°C)  
 Outdoor\*\*  
 Maximum 140°F (60°C) absolute maximum;  
 122°F (50°C) sustained maximum  
 Minimum -60°F (-51°C) absolute minimum; prevents  
 icing at sustained minimum of -50°F (-45°C);  
 de-ices 0.1 inch (2.5 mm) within 3 hours after  
 power-up

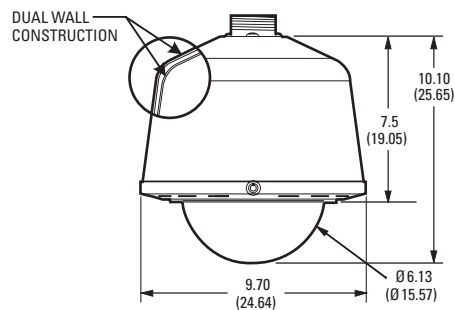
\*\*Assumes no wind chill factor.

## CERTIFICATIONS

- UL/cUL Listed
- Meets NEMA Type 4X and IP66 standards



STANDARD PENDANT DOME



HEAVY-DUTY PENDANT DOME

NOTE: VALUES IN PARENTHESES ARE CENTIMETERS; ALL OTHERS ARE INCHES.

# TECHNICAL SPECIFICATIONS

## MODELS



**DF5 SERIES**



**DF5-0F**



**DF5S SERIES**



**DF5-PG-E0  
(SHOWN WITH  
SWM-GY  
WALL MOUNT)**

Model	In-Ceiling	Surface Mount	Pendant	Indoor	Outdoor	Standard Back Box	Heavy-duty Back Box	Shortened Back Box	Standard Bubble	Heavy-duty Bubble	Flat Window	Heater	Sun Shield	Color	Bubble				Bubble Attributes
															Smoked	Clear	Chrome	Gold	
DF5-0	•			•		•			•							•			1/2 F-stop light loss
DF5-1*	•			•		•			•								•		Virtually no light loss
DF5HD-1	•			•			•			•							•		
DF5-2	•			•		•			•									•	2 F-stop light loss
DF5-3	•			•		•			•									•	2 F-stop light loss
DF5-0F	•			•		•					•					•			1/2 F-stop light loss
DF5S-0	•	•**		•				•	•							•			1/2 F-stop light loss
DF5S-1	•	•**		•				•	•								•		Virtually no light loss (includes opaque liner)
DF5-PB-0			•	•					•					Black		•			1/2 F-stop light loss
DF5-PB-1			•	•					•					Black			•		Virtually no light loss (liner not included)
DF5-PG-0			•	•					•					Gray		•			1/2 F-stop light loss
DF5-PG-1			•	•					•					Gray			•		Virtually no light loss
DF5HD-PG-1			•	•			•			•				Gray			•		(liner not included)
DF5-PG-E0			•	•					•			•	•	Gray		•			1/2 F-stop light loss
DF5-PG-E1			•	•					•			•	•	Gray			•		Virtually no light loss
DF5HD-PG-E1			•	•			•		•	•		•	•	Gray			•		(liner not included)

**Note:** DomePak® models with factory-installed and back-focused camera and lens packages are available. Please refer to the DF5 Series Selection Guide or DF5 Series DomePak specification sheet, both in the Camera ImagePak® and DomePak Solutions section, for available models.

\* DF5-1 includes opaque liner.

\*\* Requires DF5S-SMKIT.

## RECOMMENDED MOUNTS

### IN-CEILING DOMES

DF5S-SMKIT

Surface mount adapter kit for DF5S Series with short back box. Includes bezel and hardware.



SCA1

Support rails; for use in suspended ceiling applications where additional support is needed.

SD5-P

2' x 2' (61 x 61 cm) drop ceiling panel, aluminum construction. Replaces 2' x 2' ceiling tile

### PENDANT DOMES

IWM Series

Wall mount with cable feedthrough. Can be adapted for corner, parapet, or pole applications.

PP4348

Parapet mount

PP350/PP351

Parapet mount

SWM Series

Compact wall mount. Can be adapted for corner or pole applications.

## RECOMMENDED POWER SUPPLIES

MCS Series

WCS Series

Multiple 24 VAC camera power supply, indoor  
Single/multiple 24 VAC camera power supply, outdoor

## OPTIONAL ACCESSORIES

BB5-PCA-BK

Pendant conduit adapter, black

BB5-PCA-GY

Pendant conduit adapter, gray

DF5LINERKIT

Slotted liner kit. Can be added to any dome. (Included with clear in-ceiling domes only.)



**Pelco, Inc. Worldwide Headquarters:**

3500 Pelco Way, Clovis, California 93612-5699 USA

**USA & Canada** Tel: (800) 289-9100 • FAX (800) 289-9150

**International** Tel: +1 (559) 292-1981 • FAX +1 (559) 348-1120

[www.pelco.com](http://www.pelco.com)

Pelco, the Pelco logo, DomePak, ImagePak, and Spectra are registered trademarks of Pelco, Inc.

Product specifications and availability subject to change without notice.

©Copyright 2008, Pelco, Inc. All rights reserved.