

ES4300A

Exit Alarm

For applications that require an alarmed exit device for emergency exit doors. The ES4300A is easy to install and operate. The features that make the ES4300A the product of choice, include: Intrusion/Tamper Alarm Output, Remote Reset/Bypass and Field Selectable Alarm Auto Reset.



ES4300A-K3-T1

ES4300A Series

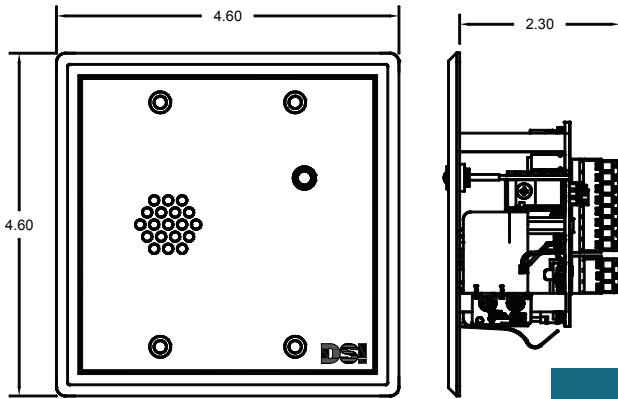


FEATURES & BENEFITS

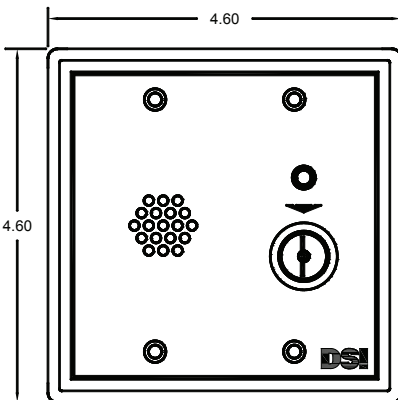
- Aesthetically pleasing design
- Compatible with all access control systems
- Can be used as a stand-alone product
- 12-24 VAC/VDC 200mA operation
- 103 dB alarm sounder
- Easy installation
- Encourages employees to maintain access control procedures
- Reset/Bypass key switch and remote input
- Visual status indicator
- Tamper resistant
- Incorporates Form C output relay
- Compact design - fits in a two gang enclosure

DSI® 1402 Hawthorne St.
Bastrop, Texas 78602
Toll Free: 1-800-272-3555
Phone: 1-512-321-4426
Fax: 1-512-321-9181
E-mail: dsi@dsigo.com
www.dsigo.com

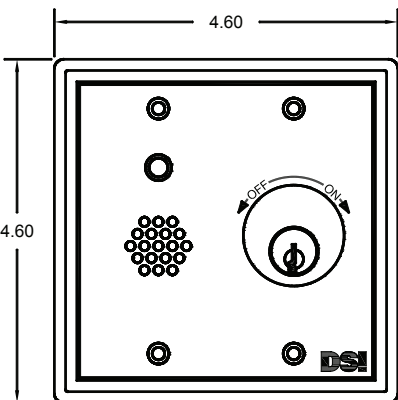
DESIGNED SECURITY, INC.
A Detex Company



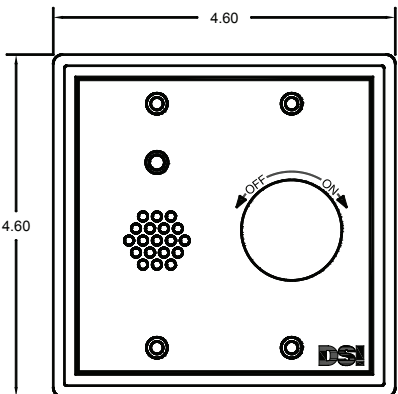
ES4300A-K0-T1



ES4300A-K1-T1



ES4300A-K3-T1



ES4300A-K4-T1

reference dimensional information

PRODUCT DESCRIPTION

The ES4300A is used to monitor emergency exit doors. Typically located near the door, it monitors door position and activates a sounder and alarm contact when forced entry/exit occurs. Once triggered, the unit remains in alarm until the optional auto reset time expires or reset by the integral key switch or remotely through the dry contact.

ELECTRICAL SPECIFICATIONS

Power:	12 or 24 VAC/VDC @ 200mA Jumper Selectable
Local Control:	Keyswitch for Unit Reset/Bypass
Control Input:	N/O Remote Reset/Bypass
Control Output:	N/O & N/C Intrusion/Tamper Alarm Status Remote LED
Adjustment:	Alarm Auto Reset 0-60 sec. Shunt Delay (Access/Lock Time) 0-20 sec.
Alarm:	103 db@3 feet

MECHANICAL SPECIFICATIONS

Dimensions:	ES4300A-K0	4.6" w x 4.6" h x 2.30" d
	ES4300A-K1	4.6" w x 4.6" h x 2.30" d
	ES4300A-K2	4.6" w x 4.6" h x 2.30" d
	ES4300A-K3	4.6" w x 4.6" h x 2.30" d
	ES4300A-K4	4.6" w x 4.6" h x 2.30" d
	ES4300A-K6	4.6" w x 4.6" h x 2.30" d
	ES4300A-K7	4.6" w x 4.6" h x 2.30" d

Key Switch:	Double Bit (K1)	SPST
	Barrel (K2)	SPST
	Rim hardware with cylinder (K3)	DPDT
	Rim hardware without cylinder (K4)	DPDT
	Medeco (K5)	DPDT
	Single bit key switch (K6)	DPDT
	Rim hardware w/ interchangeable core (K7)	DPDT

Finish: Painted - DSI Beige

DSI[®]
 DESIGNED SECURITY, INC.
 A Detex Company

1402 Hawthorne St.
 Bastrop, Texas 78602
 Toll Free: 1-800-272-3555
 Phone: 1-512-321-4426
 Fax: 1-512-321-9181
 E-mail: dsi@dsigo.com
www.dsigo.com