

# ES411

## Door Prop Alarm

The ES411 Door Prop Alarm provides a unique solution to the common security problem of doors being propped or held open. Used as a stand-alone product or tied to any access control system, these devices encourage users to keep secured doors closed while reducing the number of false alarms for the security staff.



### FEATURES & BENEFITS

- Aesthetically pleasing design
- Compatible with all access control systems
- Can be used as a stand-alone product
- Field selectable alarm delay
- 12-24 VAC/VDC operation
- Easy installation
- Encourages employees to maintain access control procedures
- Available with or without reset/bypass key switch
- 80dB alarm sounder
- Compact design; fits in a one or a two gang enclosure

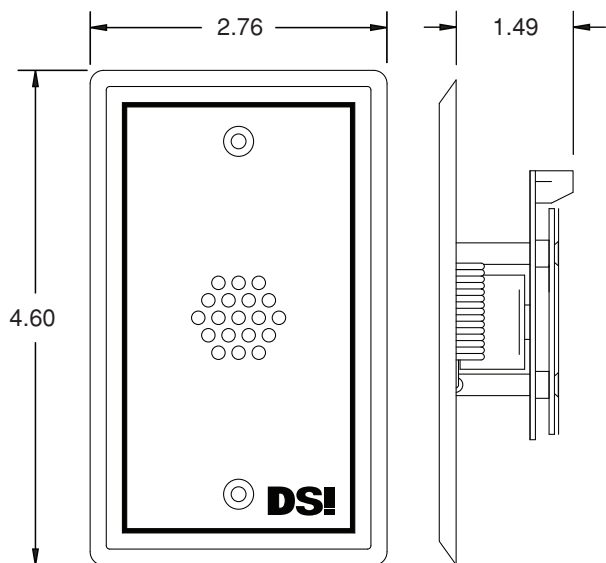


ES411-K1

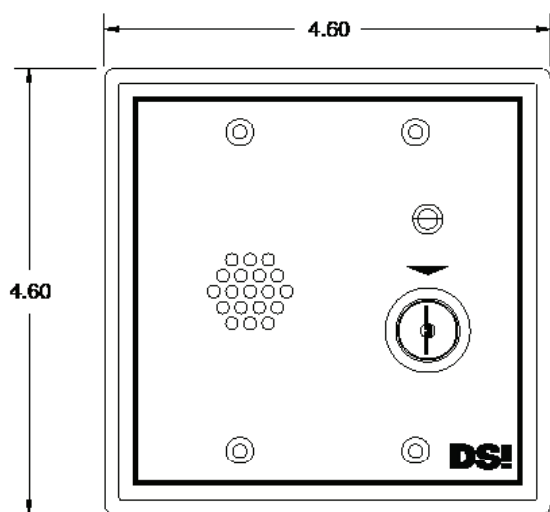
ES411 Series

**DSI**<sup>®</sup>  
DESIGNED SECURITY, INC.  
*A Detex Company*

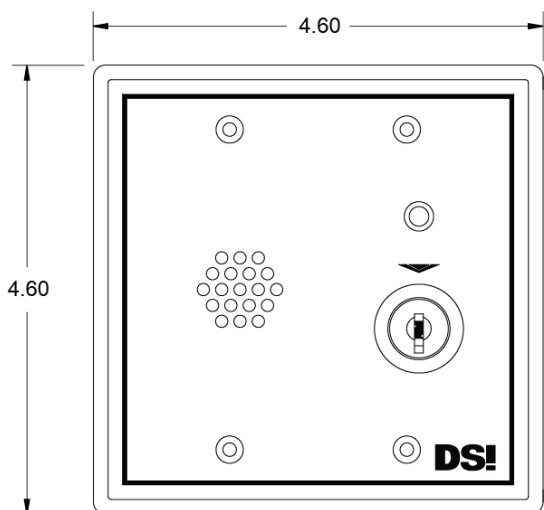
1402 Hawthorne St.  
Bastrop, Texas 78602  
Toll Free: 1-800-272-3555  
Phone: 1-512-321-4426  
Fax: 1-512-321-9181  
E-mail: [dsi@dsigo.com](mailto:dsi@dsigo.com)  
[www.dsigo.com](http://www.dsigo.com)



ES411-K0



ES411-K1



ES411-K6

## PRODUCT DESCRIPTION

The ES411 Series Door Prop Alarm provides a unique solution for the common security problem of propped doors. These units are typically mounted near the monitored door. When the door has been held open longer than the preset time interval (adjustable from 0-60 seconds), the local audible alarm sounds to advise that the door should be closed. When the door is closed, the alarm is silenced and the timing circuit is automatically reset.

This unit also has an alarm status relay to enable remote monitoring of door alarms. The relay and audible alarm are activated after timed delay expires.

## ELECTRICAL SPECIFICATIONS

<b>Power:</b>	12-24 VAC/VDC @ 100 mA
<b>Local Control:</b>	Key switch for unit Reset/Bypass
<b>Control Input:</b>	N/C door contact
<b>Output Contact:</b>	N/C, 500 mA @ 30 VDC
<b>Delay Time:</b>	Adjustable 0-60 seconds
<b>Alarm:</b>	80dB @ 3 ft

## MECHANICAL SPECIFICATIONS

<b>Dimensions:</b>	ES411-K0	2.76" w x 4.60" h x 1.49" d
	ES411-K1	4.60" w x 4.60" h x 1.49" d
	ES411-K6	4.60" w x 4.60" h x 1.49" d

<b>Key Switch:</b>	K1 Double Bit
	K6 DPDT

<b>Finish:</b>	Painted - DSI Beige
----------------	---------------------

**DSI**<sup>®</sup>  
 DESIGNED SECURITY, INC.  
 A Detex Company

1402 Hawthorne St.  
 Bastrop, Texas 78602  
 Toll Free: 1-800-272-3555  
 Phone: 1-512-321-4426  
 Fax: 1-512-321-9181  
 E-mail: [dsi@dsigo.com](mailto:dsi@dsigo.com)  
[www.dsigo.com](http://www.dsigo.com)