

# CP-1PT

Ceiling Plate w/ Cable Pass-Through for  
Standard 1.5" NPT Plumbing Pipe

## Product Features:

Universal ceiling flange works with all  
manufacturer's mounting systems when using  
standard 1.5" NPT pipe

Cable pass-through for easy cable management

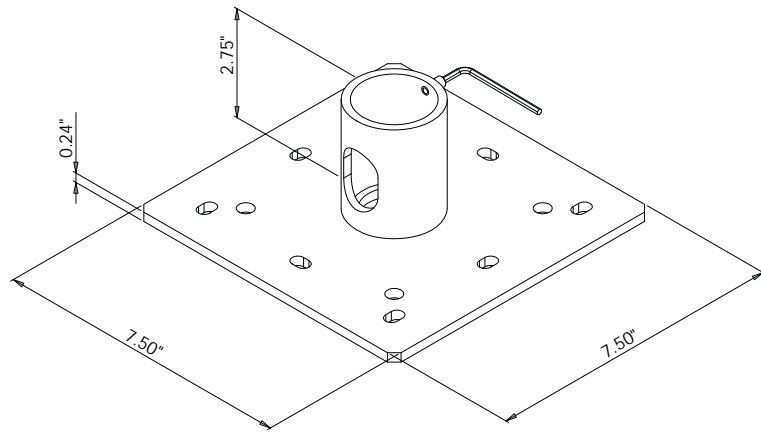
Provides base for ceiling installations

Black powder coat finish

## Product Specifications:

*(for Architects & Engineers)*

The ceiling plate to accept 1.5" NPT plumbing pipe shall be Video Mount Products (VMP) model CP-1PT. Universal ceiling flange works with all manufacturers mounting systems when using 1.5" NPT plumbing pipe. The universal ceiling flange shall have a cable pass through in the side of the pipe couple to facilitate cable management. The ceiling plate provides a mounting base for ceiling installations. (Can be used in conjunction with AK-1PT)



## Video Mount Products

345 Log Canoe Circle  
Stevensville, MD 21666  
Toll Free: 877.281.2169  
Telephone: 410.643.6390  
Facsimile: 410.643.6615  
[www.videomount.com](http://www.videomount.com)

**VMP**  
VIDEO MOUNT PRODUCTS