

CM-1200/2200



STAINLESS STEEL KEY SWITCH CONTROLS

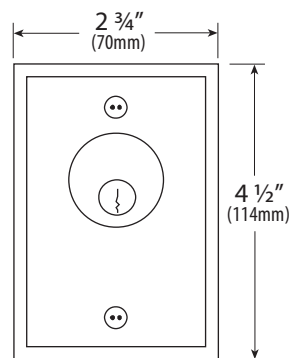


CM-1200

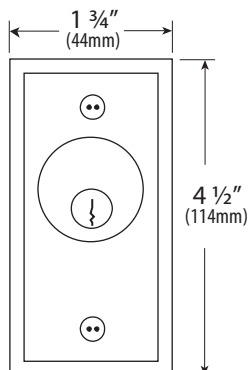


CM-2200

Shown with mortise cylinder (sold separately)



CM-1200



CM-2200

FEATURES

- SINGLE GANG AND NARROW STYLE MODELS
- ACCEPTS STANDARD MORTISE CYLINDERS, 1" – 1 1/4"
- HEAVY DUTY STAINLESS STEEL FACEPLATE
- LOCATORS PREVENT CYLINDER FROM SPINNING
- NO SET SCREWS REQUIRED
- VANDAL RESISTANT
- TAMPER PROOF SCREWS & DRIVER PROVIDED
- INDOOR OR OUTDOOR APPLICATIONS
- UL/CSA APPROVED SWITCHES
- 1 OR 2 SWITCHES MAY BE INSTALLED
- LEFT AND/OR RIGHT OPERATION
- WIDE RANGE OF SWITCH CONFIGURATIONS
- COLOR CODED 18 AWG SOLDERED LEADS
- HEAT SHRINK PROTECTIVE SLEEVE OVER CONTACTS
- CASTED CENTRE RIB PROTECTS SWITCHES FROM DAMAGE
- CUSTOM COLOR FINISHES & ENGRAVING AVAILABLE
- OPTIONAL LED INDICATORS
- FAST & EASY TO INSTALL

DESCRIPTION

Camden Door Controls, CM-1200 and CM-2200 Series flush mount switches meet the stringent demands of key switch controls. They are designed for use with standard 1", 1 1/8", or 1 1/4" mortise cylinders.

The CM-1200 is single gang 2 3/4" width, CM-2200 is only 1 3/4" wide, perfect for door frames or narrow areas. Both models accept one or two switches, and have a counter sunk cylinder opening, in a one piece casted assembly. A brass cylinder lock ring, 2 socket /slotted screws, and 2 tamperproof screws with driver, are also supplied. (The mortise cylinder is available separately from Camden Door Controls.) The design and construction makes it ideal for all weather environments. The assembly is tamper and vandal resistant.

CM Key Switches are flexible, and can be supplied in numerous switch configurations to suit varied commercial and industrial applications, and functions. Camden Key Switches provide a practical, cost effective means for authorized personnel to control and signal various functions within a complex.

APPLICATION

CM-1200 and CM-2200 Series Key Switches will control overhead doors, electric locks, electro-magnetic locks, electric strikes, and motors. They are also used for shunting, bypassing, timed functions, activating and deactivating CCTV and access control equipment, and other applications. They are constructed for high frequency use, and will accept a standard mortise cylinder.

KEY SWITCHES

PUSH BUTTONS

MOUNTING OPTIONS

RF CONTROLS

HANDS-FREE SWITCHES

SPECIAL PURPOSE SWITCHES

KEYPADS

ACCESSORIES

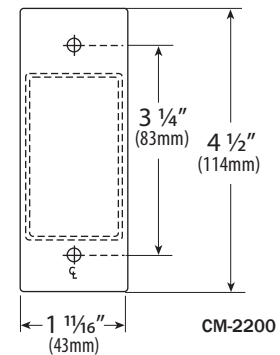
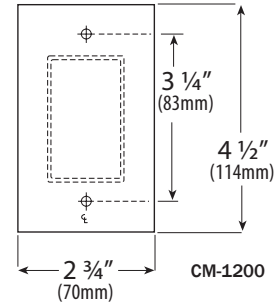
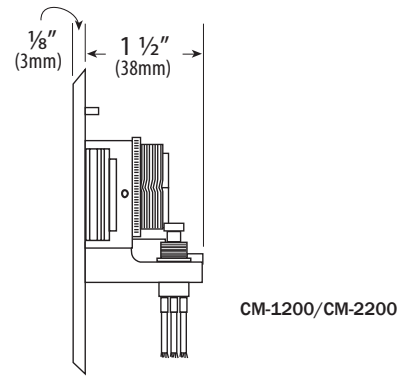
ARCHITECTS/ENGINEERS SPECIFICATIONS

Key Switch Controls to be used throughout the site, or complex will be supplied exclusively by Camden Door Controls. The CM-1200 and CM-2200 Series key switches shall be used for all flush mount applications.

The stainless steel faceplate will incorporate a mounting platform for both the cylinder and switches, in a single piece construction. The faceplate will have 180° locators so that set screws shall not be required to prevent the cylinder from rotating. Only a brass cylinder lock ring will be employed to hold the mortise cylinder to the faceplate. The key switch shall be supplied with stainless steel Torx or snake eye security screws.

The stainless steel faceplate with casted mounting platform, will have two holes for switch mounting. It shall be possible to select either left or right operation. In areas requiring dual control, two switches shall be used offering bi-directional operation from the same key switch.

The switch component used will be a UL/CSA approved type, rated for 6A/30VDC. Switches are to be supplied with color coded soldered leads, encased in heat shrink tubing. The switch must be protected from accidental damage from the cylinder cam, by having an integral metal centre rib incorporated into the design of the faceplate.



ORDERING INFORMATION

All CM-1200 and 2200 Series Key Switches are supplied with a stainless steel faceplate, cylinder lock ring, 2 socket/slotted screws, and 2 tamperproof screws with driver. (The mortise cylinder is not included, but is available from Camden Door Controls.)

MODEL	MODEL	DESCRIPTION
SINGLE GANG	NARROW STYLE	
CM-1200	CM-2200	1 SPST MOMENTARY SWITCH, N/O
CM-1205	CM-2205	1 SPST MOMENTARY SWITCH, N/C
CM-1210	CM-2210	1 SPST MAINTAINED SWITCH
CM-1220	CM-2220	1 SPDT MOMENTARY SWITCH
CM-1230	CM-2230	1 SPDT MAINTAINED SWITCH
CM-1250	CM-2250	2 SPDT MOMENTARY SWITCHES
CM-1260	CM-2260	2 SPDT MAINTAINED SWITCHES
CM-1270	CM-2270	1 SPDT MAINTAINED, + 1 SPDT MOMENTARY
CM-1280	CM-2280	1 DPDT MOMENTARY SWITCH
CM-1282	CM-2282	2 DPDT MOMENTARY SWITCH
CM-1290	CM-2290	1 DPDT MAINTAINED SWITCH
CM-1292	CM-2292	2 DPDT MAINTAINED SWITCH

FOR FINISHES, ADD:

'DUR' FOR DURANODIC (US 40)

FOR LED INDICATORS, ADD:

- 7012 RED 12V LED
- 7112 GREEN 12V LED
- 7212 RED & GREEN 12V LED'S
- 7024 RED 24V LED
- 7124 GREEN 24V LED
- 7224 RED & GREEN 24V LED'S
- 7412 AMBER 12V LED
- 7424 AMBER 24V LED
- 7612 BI-COLOR 12V LED
- 7624 BI-COLOR 24V LED