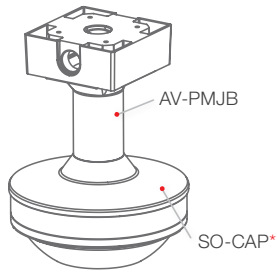


Standard Dome Accessories

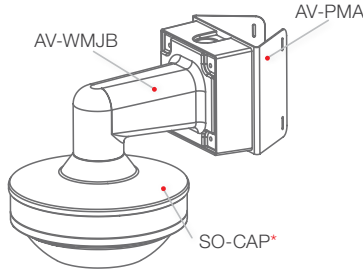
Accessories for Indoor/Outdoor Ceiling, Wall, Pole and Corner Mounting Solutions



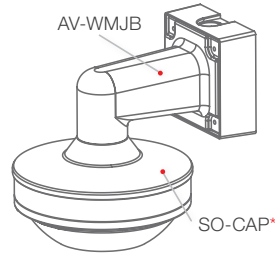
Ceiling Mount Configuration



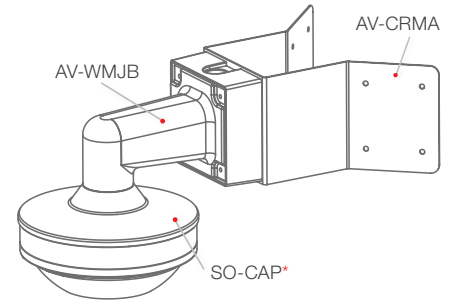
Wall Mount Configuration with Pole Mount Adapter



Wall Mount Configuration



Wall Mount Configuration with Corner Mount Adapter



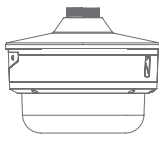
Cap Options:

SO-CAP



Works with SurroundVideo® Omni and SurroundVideo® Omni G2

SO3-CAP



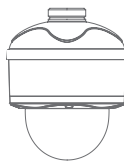
Works with SurroundVideo® Omni G3

SV-CAP



Works with SurroundVideo® and SurroundVideo® G5

MD-CAP



Works with MegaDome® 4K, MegaDome® Series, SurroundVideo® G5 Mini and MegaVideo® Compact D4SO

Compatible Cameras:



SurroundVideo® Series



MegaDome® 4K



MegaDome® Series



MegaVideo® Compact D4SO

* Can be switched with SO3-CAP, SV-CAP or MD-CAP

AV-EBAR

Electrical Box Adapter Round

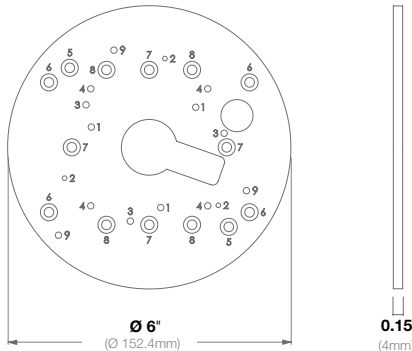


Features:

- Easy Installation and Superior Design
- Heavy Duty Enclosure Protection for Applications in Harsh Environments
- Die-Cast Aluminum is Resistant to Impact and Salt Damage

Compatibility	Compatible with 3/4" NPT standard
	Works with MegaBall® Series, MegaDome® Series, MicroDome® Series -S cameras, SurroundVideo® Series, SurroundVideo® Omni Series, MegaVideo® D4SO Housing, MCD-CMT and MB2-JBA

Mechanical	Casing	Die-Cast Aluminum
		IP66 Weather Proof Standard
		IK-10 Impact-Resistant
	Color	Ivory (Pantone Cool Gray 1C)
	Dimensions	Ø6" (152.4mm) x 0.15" W (4mm)
	Weight	w/o Camera 0.4lbs (0.18kg)



Hole No.	Model Compatibility
1	MegaBall Series Wall Mount (legacy), MCD-CMT
2	MegaBall Series Dome Mount
3	MegaBall Series Bell Mount, MicroDome Series Surface Mount*
4	MegaDome 2*, SurroundVideo Series Panoramics*, MegaVideo D4SO Housing, MB2-JBA
5	4S Box
6	4-11/16" Square Box
7	Single Gang Box
8	Double Gang Box
9	SurroundVideo Omni Series

* The mounting plate on MegaDome 4K, SurroundVideo G5 Mini, and MicroDome Duo negate the need for a separate electrical box adapter and therefore this accessory is not applicable.

Quick Installation:

1. Pass cables through the center hole of the adapter plate.
2. Attach the adapter plate to the electrical box (sold separately) using the appropriate hardware and mounting holes.
3. Attach the compatible part noted above.

AV-EBAS

Electrical Box Adapter Square

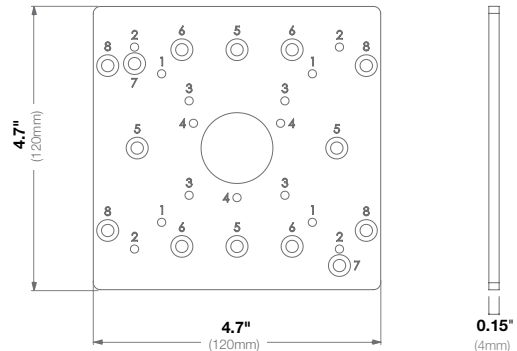


Features:

- Easy Installation and Superior Design
- Heavy Duty Enclosure Protection for Applications in Harsh Environments
- Die-Cast Aluminum is Resistant to Impact and Salt Damage

Compatibility	Compatible with 3/4" NPT standard
	Works with MegaDome® Series, MegaView® Series, MicroBullet®, SurroundVideo® Panoramic Series, MegaVideo® D4SO Housing, AV-JBA, AV-WMJB, AV-SWMJB, MCD-WMT, MDD-WMT, HSG2-WMT, and AV-PMJB

Mechanical	Casing	Die-Cast Aluminum
		IP66 Weather Proof Standard
		IK-10 Impact-Resistant
	Color	Ivory (Pantone Cool Gray 1C)
	Dimensions	4.7" L (120mm) x 0.15" W (4mm) x 4.7" H (120mm)
	Weight	w/o Camera 0.33lbs (0.13kg)



Hole No.	Model Compatibility
1	AV-JBA, AV-WMJB, AV-PMJB, MegaDome 2*, MegaView 2 (standard), SurroundVideo Panoramics*, MegaVideo D4SO Housing
2	HSG2-WMT, AV-WMJB bracket, AV-PMJB bracket, MegaView 2 bracket
3	AV-SWMJB, MCD-WMT, MDD-WMT
4	MicroBullet
5	Single Gang Box
6	Double Gang Box
7	4S Box
8	4-11/16" Square Box

* The mounting plate on MegaDome 4K and SurroundVideo G5 Mini negate the need for a separate electrical box adapter and therefore this accessory is not applicable.

Quick Installation:

1. Pass cables through the center hole of the adapter plate.
2. Attach the adapter plate to the electrical box (sold separately) using the appropriate hardware and mounting holes.
3. Attach the compatible part noted above.



AV-PMJB



Pendant Mount Bracket with Junction Box

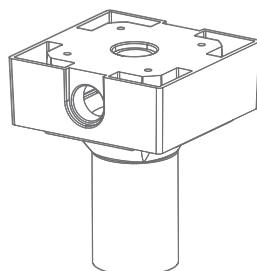
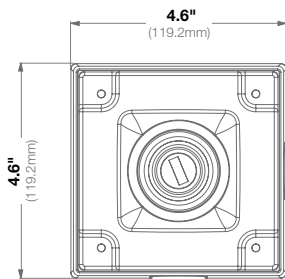
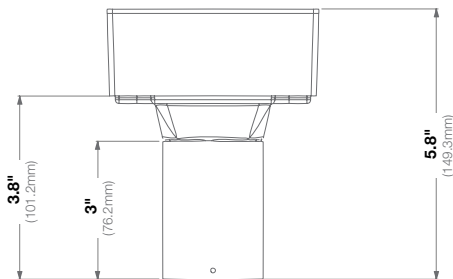


Features:

- Easy Installation and Superior Design
- Heavy Duty Enclosure Protection for Applications in Harsh Environments
- Die-Cast Aluminum is Resistant to Impact and Salt Damage

Compatibility	Compatible with 1.5" NPT Female
	Works with SurroundVideo® Series, MegaDome® 4K, MegaDome® Series, and MegaVideo® Compact D4SO

Mechanical	Casing	Die-Cast Aluminum
		IP66 Weather Proof Standard
		IK-10 Impact-Resistant
	Color	Ivory (Pantone® Cool Gray 1C)
	Dimensions	5.87" H (149.31mm) x 4.69" W (119.20mm)
Weight	w/o Camera	2.12lbs (0.96kg)



AV-WMJJB



Wall Mount Bracket with Junction Box

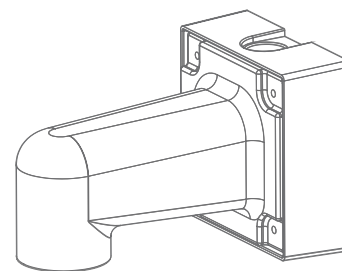
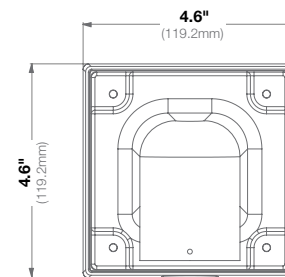
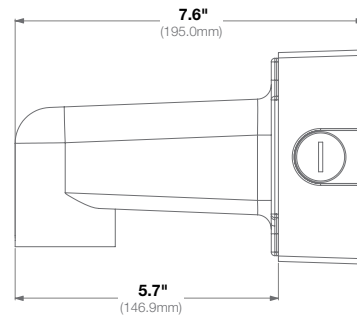


Features:

- Easy Installation and Superior Design
- Heavy Duty Enclosure Protection for Applications in Harsh Environments
- Die-Cast Aluminum is Resistant to Impact and Salt Damage

Compatibility	Compatible with 1.5" NPT Female
	Works with SurroundVideo® Series, MegaDome® 4K, MegaDome® Series, and MegaVideo® Compact D4SO

Mechanical	Casing	Die-Cast Aluminum
		IP66 Weather Proof Standard
		IK-10 Impact-Resistant
	Color	Ivory (Pantone® Cool Gray 1C)
	Dimensions	7.68" L (195.05mm) x 4.69" W (119.20mm)
Weight	w/o Camera	2.49lbs (1.13kg)



AV-PMA

Pole Mount Adapter

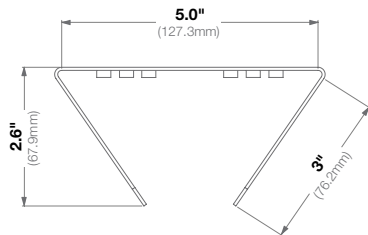
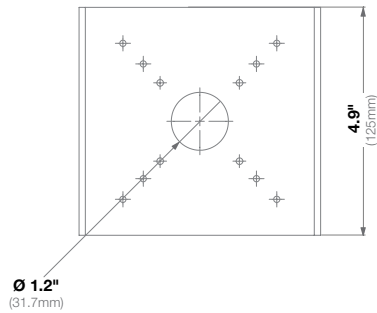


Features:

- Easy Installation and Superior Design
- Heavy Duty Enclosure Protection for Applications in Harsh Environments
- Die-Cast Aluminum is Resistant to Impact and Salt Damage

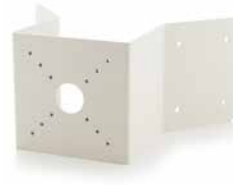
Compatibility Works with AV-WMJJB, AV-SWMJB, MDD-WMT, MCD-WMT, and AV-JBA

Mechanical	Casing	Die-Cast Aluminum
		IP66 Weather Proof Standard
		IK-10 Impact-Resistant
	Color	Ivory (Pantone® Cool Gray 1C)
	Dimensions	5.01" W (127.32mm) x 4.92" H (125mm)
	Weight	w/o Camera 0.32lbs (0.15kg)



AV-CRMA

Corner Mount Adapter

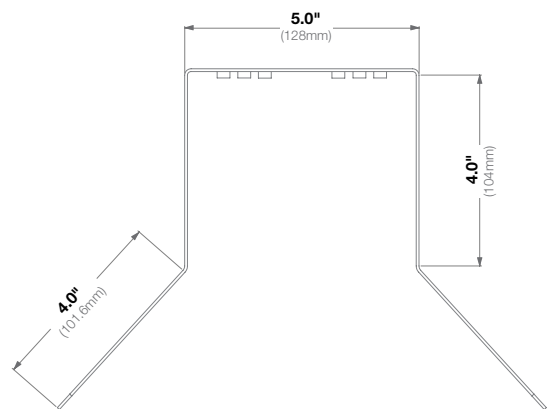
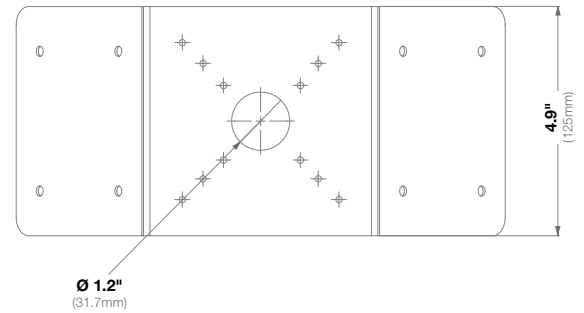


Features:

- Easy Installation and Superior Design
- Heavy Duty Enclosure Protection for Applications in Harsh Environments
- Die-Cast Aluminum is Resistant to Impact and Salt Damage

Compatibility Works with AV-WMJJB, AV-SWMJB, MDD-WMT, MCD-WMT, and AV-JBA

Mechanical	Casing	Die-Cast Aluminum
		IP66 Weather Proof Standard
		IK-10 Impact-Resistant
	Color	Ivory (Pantone® Cool Gray 1C)
	Dimensions	13.04" W (331.25mm) x 4.92" H (125mm)
	Weight	w/o Camera 0.59lbs (0.27kg)



SO3-CAP

Mounting Cap

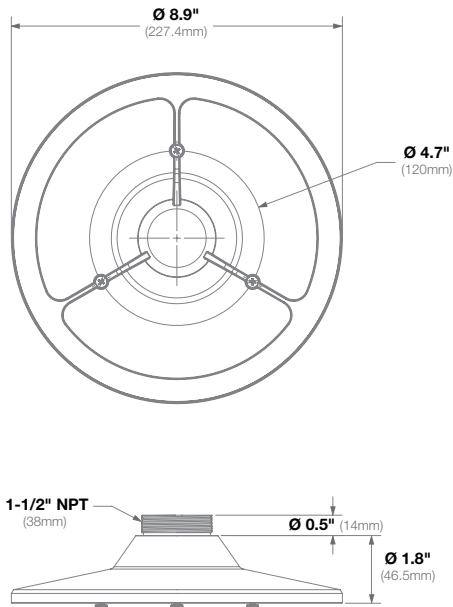


Features:

- Easy Installation and Superior Design
- Heavy Duty Enclosure Protection for Applications in Harsh Environments
- Die-Cast Aluminum is Resistant to Impact and Salt Damage

Compatibility	Compatible with 1.5" NPT Male
	Works with SurroundVideo® Omni G3

Mechanical	Casing	Die-Cast Aluminum
		IP66 Weather Proof Standard
		IK-10 Impact-Resistant
	Color	Ivory (Pantone® Cool Gray 1C)
Dimensions	Ø 8.9" (227.4mm) x 1.8" H (46.5mm)	
Weight	w/o Camera	1.22lbs (0.55kg)



SO-CAP

Mounting Cap

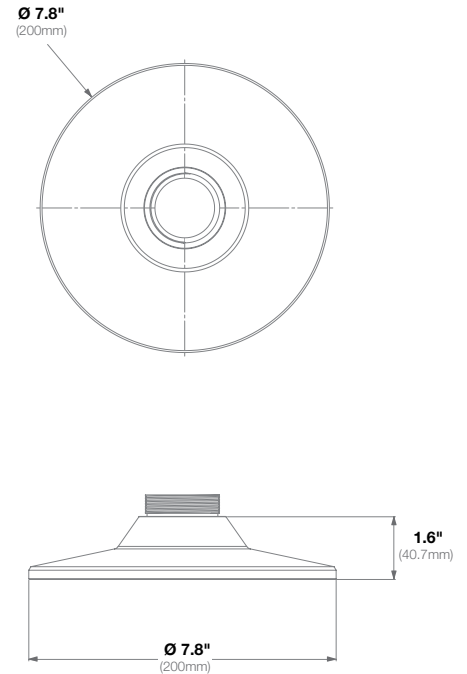


Features:

- Easy Installation and Superior Design
- Heavy Duty Enclosure Protection for Applications in Harsh Environments
- Die-Cast Aluminum is Resistant to Impact and Salt Damage

Compatibility	Compatible with 1.5" NPT Male
	Works with SurroundVideo® Omni and SurroundVideo® Omni G2

Mechanical	Casing	Die-Cast Aluminum
		IP66 Weather Proof Standard
		IK-10 Impact-Resistant
	Color	Ivory (Pantone® Cool Gray 1C)
Dimensions	Ø 7.87" (200mm) x 1.6" H (40.79mm)	
Weight	w/o Camera	0.85lbs (0.39kg)



SV-CAP

Mounting Cap

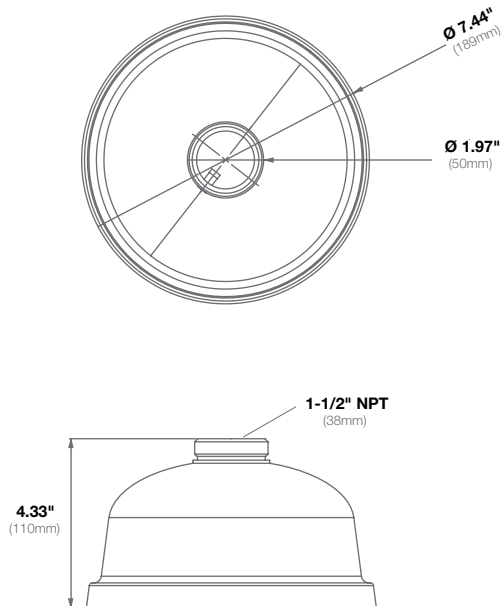


Features:

- Easy Installation and Superior Design
- Heavy Duty Enclosure Protection for Applications in Harsh Environments
- Die-Cast Aluminum is Resistant to Impact and Salt Damage

Compatibility	Compatible with 1.5" NPT standard
	Works with SurroundVideo®** and SurroundVideo® G5

Mechanical	Casing	Die-Cast Aluminum
		IP66 Weather Proof Standard
		IK-10 Impact-Resistant
	Color	Ivory (Pantone® Cool Gray 1C)
	Dimensions	Ø 7.4" (189mm) x 4.33" H (110mm)
	Weight	w/o Camera 1.47lbs (0.69kg)



MD-CAP

Mounting Cap

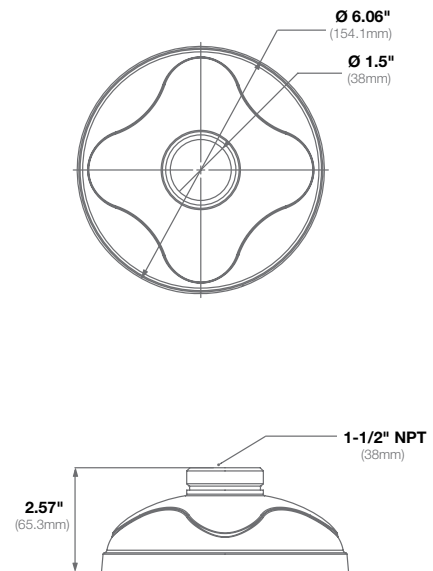


Features:

- Easy Installation and Superior Design
- Heavy Duty Enclosure Protection for Applications in Harsh Environments
- Die-Cast Aluminum is Resistant to Impact and Salt Damage

Compatibility	Compatible with 1.5" NPT standard
	Works with MegaDome® 4K, MegaDome® Series, SurroundVideo® G5 Mini and MegaVideo® Compact D4SO

Mechanical	Casing	Die-Cast Aluminum
		IP66 Weather Proof Standard
		IK-10 Impact-Resistant
	Color	Ivory (Pantone® Cool Gray 1C)
	Dimensions	Ø 6.06" (154.1mm) x 2.57" H (65.3mm)
	Weight	w/o Camera 1.02lbs (0.465kg)



** SurroundVideo models with WDR are compatible with MD-CAP and AV-FMA accessories due to their smaller form factor housing

SO3-FMA

Flush Mount Adapter

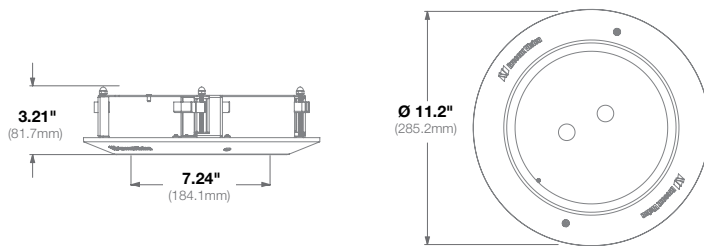


Features:

- Easy Installation and Superior Design
- Low Profile Installation

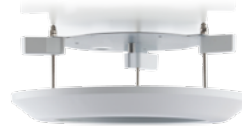
Compatibility Works with SurroundVideo® Omni G3

Mechanical	Casing	Aluminum and Plastic
	Color	Ivory (Pantone® Cool Gray 1C)
	Dimensions	Ø 11.2" (285.2mm) x 3.21" H (81.7mm)
	Weight	w/o Camera 2.43lbs (1.1kg)



SV-FMA

Flush Mount Adapter

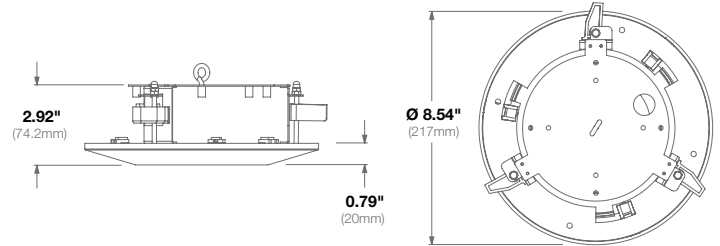


Features:

- Easy Installation and Superior Design
- Low Profile Installation

Compatibility Works with SurroundVideo®** and SurroundVideo® G5

Mechanical	Casing	Aluminum and Plastic
	Color	Ivory (Pantone® Cool Gray 1C)
	Dimensions	Ø 8.54" (217mm) x 2.92" H (74.2mm)
	Weight	w/o Camera 1.3lbs (0.59kg)



SO-FMA

Flush Mount Adapter

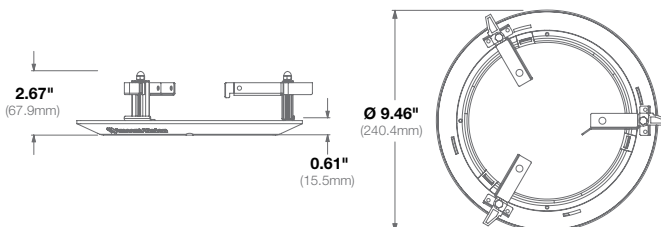


Features:

- Easy Installation and Superior Design
- Low Profile Installation

Compatibility Works with SurroundVideo® Omni and SurroundVideo® Omni G2

Mechanical	Casing	Aluminum and Plastic
	Color	Ivory (Pantone® Cool Gray 1C)
	Dimensions	Ø 9.46" (240.3mm) x 2.67" H (67.9mm)
	Weight	w/o Camera 1.15lbs (0.52kg)



AV-FMA

Flush Mount Adapter

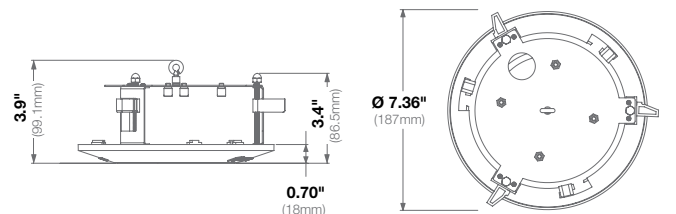


Features:

- Easy Installation and Superior Design
- Low Profile Installation

Compatibility Works with MegaDome® 4K, MegaDome® Series, SurroundVideo® G5 Mini and MegaVideo® Compact D4SO

Mechanical	Casing	Aluminum and Plastic
	Color	Ivory (Pantone® Cool Gray 1C)
	Dimensions	Ø 7.36" (187mm) x 3.9" H (99.1mm)
	Weight	w/o Camera 1.10lb (0.5kg)



** SurroundVideo models with WDR are compatible with MD-CAP and AV-FMA accessories due to their smaller form factor housing

AV-JBA

Square Junction Box Adapter

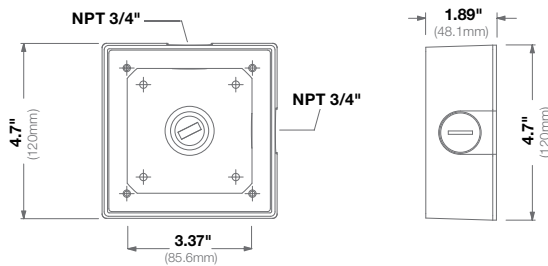


Features:

- Easy Installation and Superior Design
- Heavy Duty Enclosure Protection for Applications in Harsh Environments
- Die-Cast Aluminum is Resistant to Impact and Salt Damage

Compatibility	Compatible with 3/4" NPT standard
	Works with AV-PMJB***, AV-WMJB***, HSG2-WMT, and MegaView® 2***

Mechanical	Casing	Die-Cast Aluminum
		IP66 Weather Proof Standard
		IK-10 Impact-Resistant
	Color	Ivory (Pantone® Cool Gray 1C)
	Dimensions	4.7" L (120mm) x 4.7" W (120mm) x 1.89" H (48.1mm)
Weight	w/o Camera	1.3lbs (0.63kg)



MD-JBA

Round Junction Box Adapter

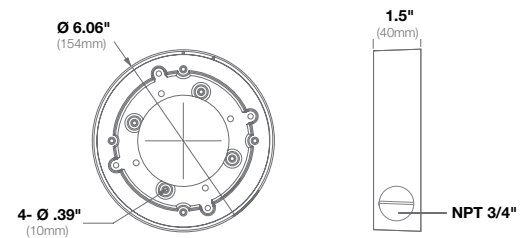


Features:

- Easy Installation and Superior Design
- Heavy Duty Enclosure Protection for Applications in Harsh Environments
- Die-Cast Aluminum is Resistant to Impact and Salt Damage

Compatibility	Compatible with 3/4" NPT standard
	Works with MegaDome® 4K, MegaDome® Series, SurroundVideo® G5 Mini and MegaVideo® Compact D4SO

Mechanical	Casing	Die-Cast Aluminum
		IP66 Weather Proof Standard
		IK-10 Impact-Resistant
	Color	Ivory (Pantone® Cool Gray 1C)
	Dimensions	Ø 6.06" (154mm) x 1.5" H (40mm)
Weight	w/o Camera	1lbs (0.45kg)



SO-SSA

Sun Shield Accessory

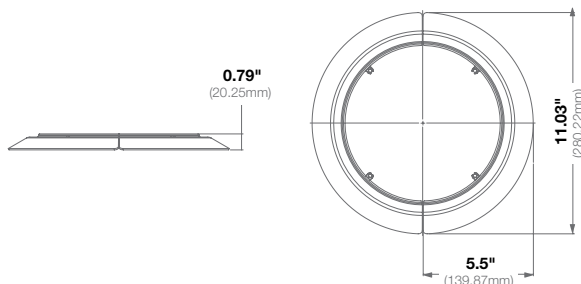
Features:

- Easy Installation and Superior Design
- Protects SurroundVideo Omni Series Sensors from Sun Glare



Compatibility	Works with SurroundVideo® Omni and SurroundVideo® Omni G2
----------------------	---

Mechanical	Casing	Plastic
	Color	Ivory (Pantone® Cool Gray 1C)
	Dimensions	11.03" L (280.22mm) x 0.79" H (20.25mm)
	Weight	w/o Camera



*** Replacement part for these models

Rev 004.002 © 2017 Arecont Vision®. All rights reserved. Arecont Vision, the Arecont Vision logo, and MegaBall, MegaDome, MegaView, MegaVideo, MicroDome, MicroBullet, and SurroundVideo are registered trademarks of the company.

