

Product Highlights

Power Your Devices

Supports IEEE 802.3af Power-over-Ethernet (PoE) to power on your PoE-capable network devices via Ethernet cables without using power adapters

Protect Your Investment

Enhanced surge protection on all PoE ports protects the switch when feeding power to outdoor PoE capable devices¹

Flexible Connectivity

All downlink ports support 10/100M speeds, and two Gigabit uplink ports provide plenty of bandwidth back to your core network



DES-1018MP

18-Port 10/100 Unmanaged Desktop or Rackmount PoE Switch Including 2 1000BASE-T/SFP Combo Ports

Features

Versatile Connectivity

- 16 10/100 Mbps PoE ports
- Two Gigabit combo uplink ports

Reliability

- 2 kV surge protection for PoE ports
- IEEE 802.3x flow control

Easy Setup

- Plug-and-play installation
- Auto MDI/MDIX crossover for all ports

Green Features

- IEEE 802.3az Energy Efficient Ethernet
- Smart fan
- RoHS compliant

The D-Link® DES-1018MP 18-Port 10/100 Unmanaged Desktop or Rackmount PoE Switch Including 2 1000BASE-T/SFP Combo Ports enables users to easily connect and supply power to PoE-capable devices such as wireless Access Points (APs), IP cameras, and IP phones. The DES-1018MP can also connect other Ethernet devices like computers, printers, and Network Attached Storage (NAS) to fit into any type of network application.

Power Over Ethernet IEEE 802.3af

The DES-1018MP features 16 ports that support the IEEE 802.3af PoE standard. Each of the PoE ports can supply up to 15.4 watts, with a total PoE budget of 246.4 watts, allowing users to attach any IEEE 802.3af-compliant device to the DES-1018MP without requiring additional power. PoE is especially suitable for devices that are far from power outlets or when users want to minimize the clutter of extra cables as power is supplied via the Ethernet cables themselves.

Expand Your Network

The addition of two Gigabit combo uplink ports means businesses can increase their network bandwidth via wired speed while offering redundancy so voice and surveillance data are transferred reliably. The combo design can increase bandwidth by offering two Gigabit copper or fiber connections, giving administrators more options for expansion.

Cut Your Energy Costs

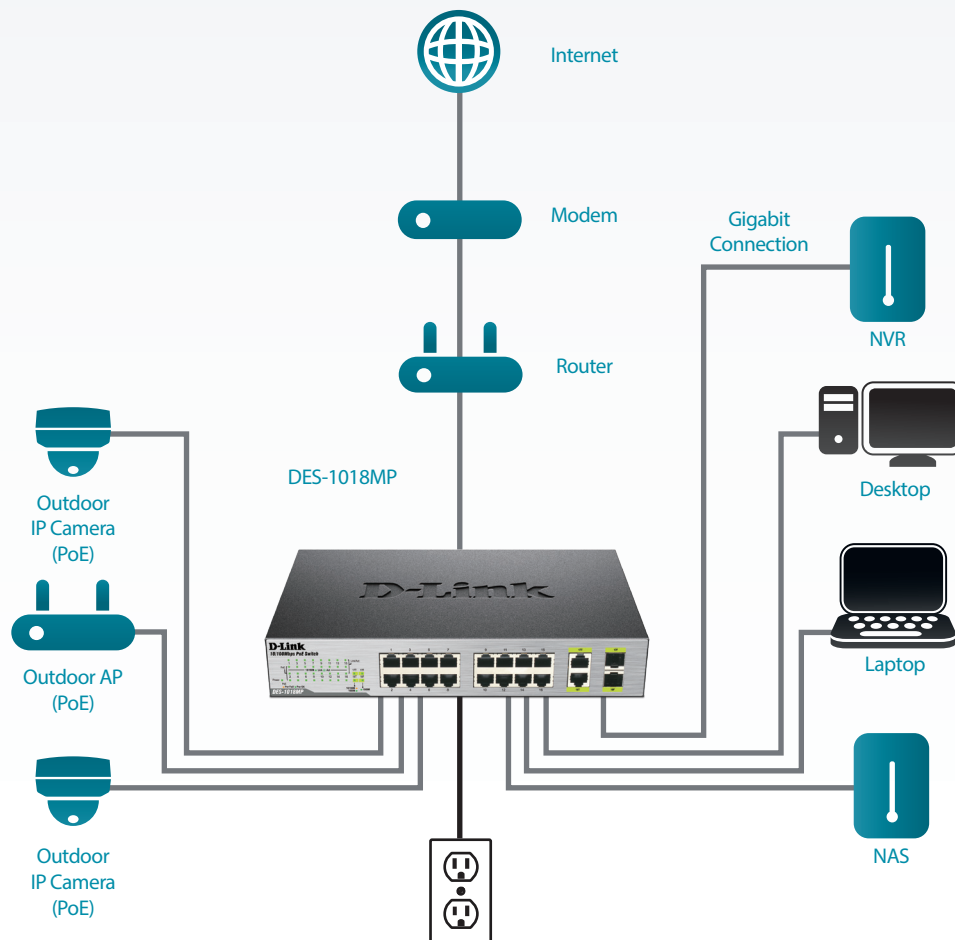
To help small businesses save on operating costs, the DES-1018MP supports IEEE 802.3az Energy Efficient Ethernet (EEE). This feature senses network traffic to automatically put ports that are not being used to sleep and also powers them on as required. The DES-1018MP also features a smart fan that automatically adjusts itself to reduce power consumption and noise whenever possible to conserve energy, so users can reinvest the cost savings back into their business.²

18-Port 10/100 Unmanaged Desktop or Rackmount PoE Switch Including 2 1000BASE-T/SFP Combo Ports

Easy Setup

The DES-1018MP is a Plug-and-Play device that requires no configuration, so setup is simple and straightforward. Simply connect the switch to a network and then connect multiple computers, share files, and make Voice-over-IP calls across the network. Support for Auto MDI/MDI-X on all ports eliminates the need for crossover cables when connecting to another switch or hub. Auto-Negotiation on each port senses the link speed of a network device (either 10 or 100) and intelligently adjusts for compatibility and optimal performance. Combining the convenience of PoE, fast performance, reliability, and ease of use, the 18-Port Unmanaged Desktop PoE Switch is the ideal choice for adding PoE devices to a network.

Sample Configuration



18-Port 10/100 Unmanaged Desktop or Rackmount PoE Switch Including 2 1000BASE-T/SFP Combo Ports

Technical Specifications		
General		
Device Interfaces	• 16 10/100 Mbps PoE ports	• 2 10/100/1000BASE-T/SFP combo ports
Standards	<ul style="list-style-type: none"> • IEEE 802.3 10BASE-T Ethernet • IEEE 802.3u 100BASE-TX Fast Ethernet • IEEE 802.3z 	<ul style="list-style-type: none"> • IEEE 802.3x Flow Control • IEEE 802.3az Energy-Efficient Ethernet (EEE)
Switching Fabric	• 7.2 Gbps	
64 Byte Max. Forwarding Rate	• 5.36 Mpps	
Transmission Method	• Store-and-forward	
MAC Address Table	• 8k	
Packet Buffer	• 384 Kbytes	
Media Interface Exchange	• Auto MDI/MDIX adjustment for all ports	
LED Indicators	<ul style="list-style-type: none"> • Per unit: Power • Per port: Activity / Link and Speed 	• Per PoE port: Power fail, Power OK
Fan	• 1 Smart fan	
PoE Standard	• IEEE 802.3af	
PoE Ports	• Ports 1~16 up to 15.4W per port	
PoE Power Budget	• 246.4 watts	
Surge Protection	• Ports 1~16 up to 2 kV	
Physical		
Dimensions	• 11" x 8.3" x 1.7" (280 mm x 210 mm x 44 mm)	
Weight	• 4.74 lbs (2.15 kg)	
Power	• Internal AC input: 100 ~ 240 VAC, 50~60 Hz	
Power Consumption	<ul style="list-style-type: none"> • Maximum Power Consumption: 301.6 watts (PoE on), 15.6 watts (PoE off) 	• Standby Power Consumption: 9.3 W/100 V , 10.5 W/240 V
Temperature	• Operating: 32 to 104 °F (0 to 40 °C)	• Storage: -40 to 158 °F (-40 to 70 °C)
Humidity	• Operating: 0% to 95% RH non-condensing	• Storage: 0% to 95% RH non-condensing
MTBF	• 361,802 hours	
Heat Dissipation	• 1029.5 BTU/h	
Certifications	<ul style="list-style-type: none"> • FCC Class A • CE • CCC • RoHS 	<ul style="list-style-type: none"> • VCCI • BSMI • C-Tick
Safety	<ul style="list-style-type: none"> • CB • cUL • LVD 	<ul style="list-style-type: none"> • CCC • BSMI

18-Port 10/100 Unmanaged Desktop or Rackmount PoE Switch Including 2 1000BASE-T/SFP Combo Ports

Order Information	
<i>Part Number</i>	<i>Description</i>
DES-1018MP	18 Port 10/100 Unmanaged Desktop or Rackmount PoE Switch Including 2 1000BASE-T/SFP Combo Ports
Warranty Information	
Warranty	Limited Lifetime Warranty ³

¹ Surge protection function available for PoE ports only.

² Energy savings from IEEE 802.3az Energy Ethernet (EEE) are dependent on actual usage scenarios.

³ Limited Lifetime Warranty Available in the U.S.A. only. Warranty void when not purchased from Authorized US D-Link Reseller. Please visit us.dlink.com for list of Authorized US Resellers.

UPDATED 05-SEP-2018 (SMO)
HARDWARE REV A
DES-1018MP_REVA_DATASHEET_1.10_EN_US.PDF

For more information

U.S.A. | 17595 Mt. Herrmann Street | Fountain Valley, CA 92708 | 800.326.1688 | dlink.com

©2014 D-Link Corporation/D-Link Systems, Inc. All rights reserved. D-Link, the D-Link logo, Amplifi, MediaBridge, SharePort, D-Link Green, the D-Link Green Logo, Xtreme N, the D-Link RoHS logo and trademarks or registered trademarks of D-Link Corporation or its subsidiaries in the United States and/or other countries. Other trademarks or registered trademarks are the property of their respective owners. Visit www.dlink.com for more details.