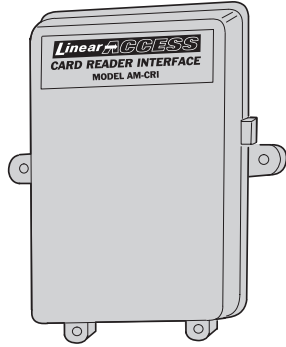


Linear ACCESS

AM-CRI

Card Reader Interface

Installation Instructions



Linear
 (760) 438-7000 • FAX (760) 438-7043
 USA & Canada (800) 421-1587 & (800) 392-0123
 Toll Free FAX (800) 468-1340
 www.linearcorp.com

INTRODUCTION

The AM-CRI card reader interface is designed for use with Linear's Model AM/II access control system. The interface will support one or two 26-bit Weigand input devices.

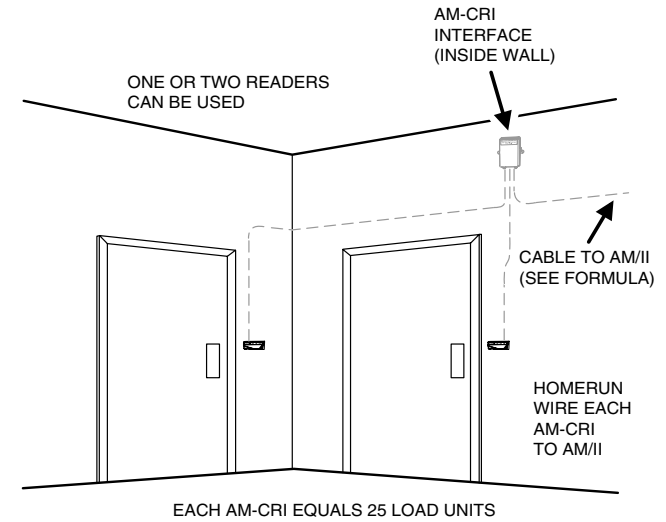
If the readers used have a "hold" or "buffer" connection, two readers may be used to the AM-CRI. If the readers do not have a "hold" or "buffer" connection, one reader may be used with the AM-CRI.

Usually mounted near the readers, the AM-CRI interface connects to the AM/II control unit through a six-wire cable. Each reader connects to the AM-CRI through a six-wire (one LED in reader) or seven wire (two LEDs in reader) cable.

Two rotary switches in the AM-CRI select the device address for each reader connected. Each remote device connected to the AM/II must be set to a different device address. The address switches in the AM-CRI must be set to different addresses if two readers are used.

Power is supplied to the interface and reader(s) from the AM/II. A power selection jumper is provided for each reader. Five or eight volt power or external power for locally powered readers can be selected.

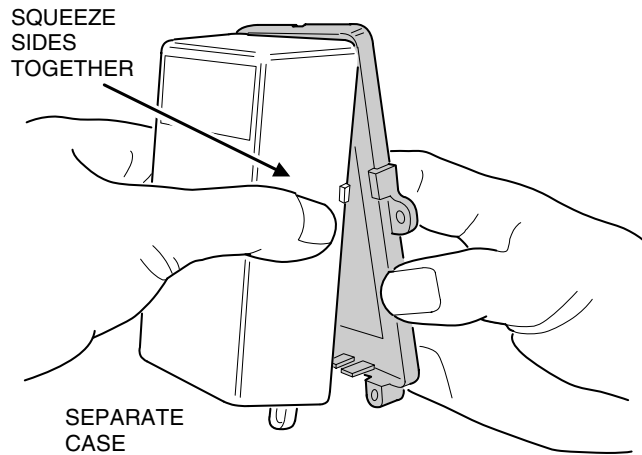
1. TYPICAL INSTALLATION



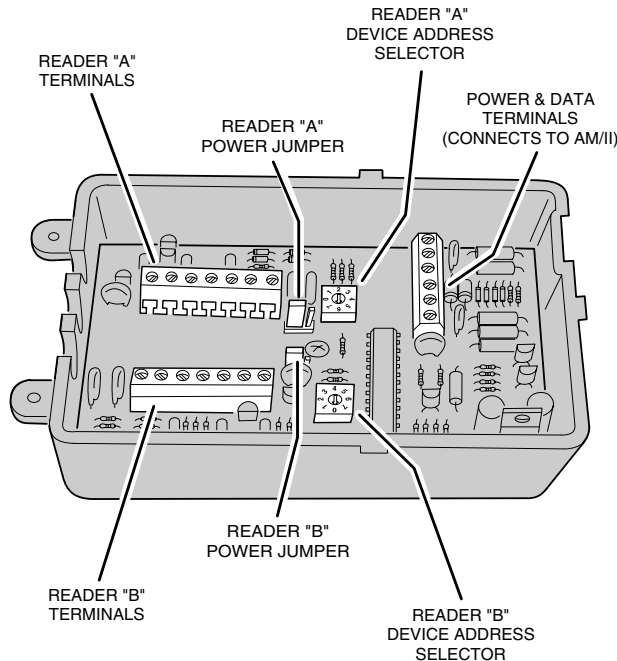
CABLE LENGTH FORMULA FOR EACH AM-CRI USED IN SYSTEM

CABLE RUN	CABLE TYPE	FORMULA
120 FEET MAXIMUM	BELDEN 9931 (24 AWG)	FEET x LOAD UNITS < 3,000 MAXIMUM
400 FEET MAXIMUM	WEICO 9405 (20 AWG)	FEET x LOAD UNITS < 10,000 MAXIMUM

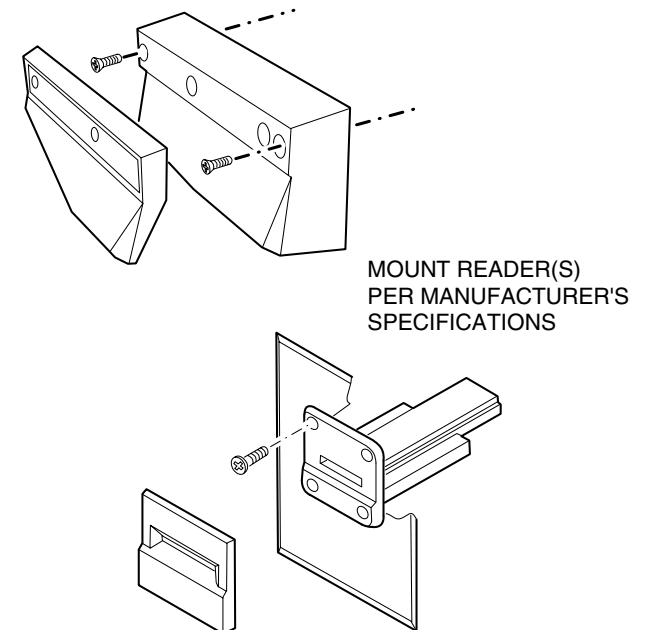
2. OPEN CASE



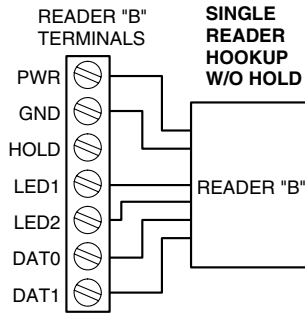
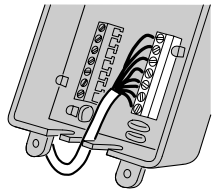
3. LOCATE COMPONENTS



4. MOUNT READERS

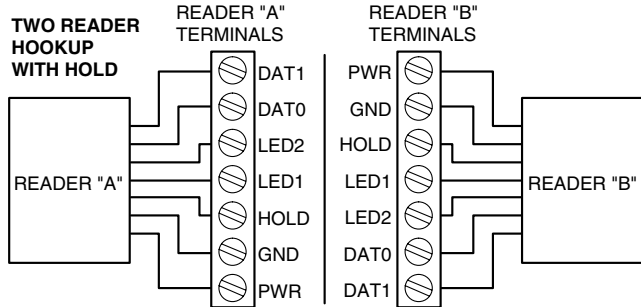


5. CONNECT READERS TO AM-CRI



LED1- ON DURING STANDBY LED2- ON DURING ACCESS

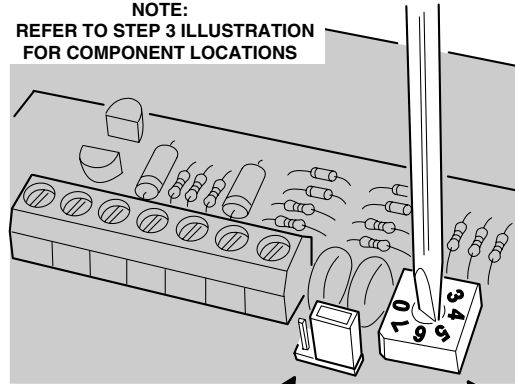
TWO READER HOOKUP WITH HOLD



REFER TO READER MANUFACTURER'S SPECIFICATIONS FOR READER WIRE COLOR AND HOOK UP DETAILS

6. SET DEVICE ADDRESS AND POWER JUMPERS

NOTE:
REFER TO STEP 3 ILLUSTRATION FOR COMPONENT LOCATIONS

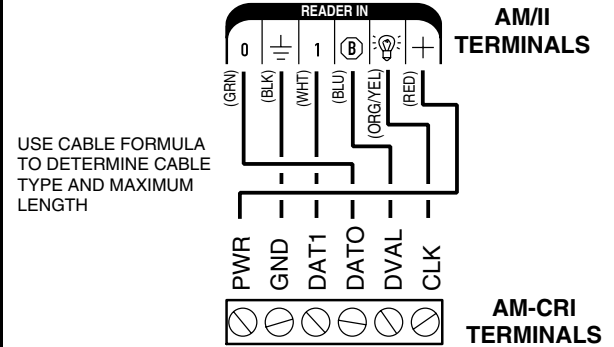
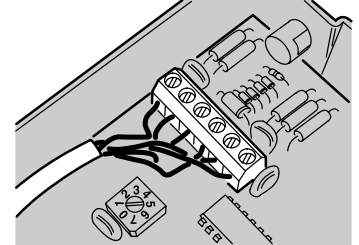
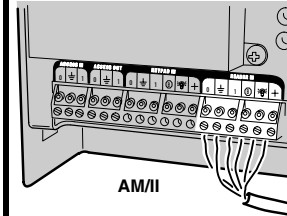


SET READER POWER JUMPER
8 VOLT POWER TO READER
5 VOLT POWER TO READER
REMOVE JUMPER WHEN USING EXTERNAL POWER

SET DEVICE ADDRESS SELECTOR
SET TO POSITION 1-6 (MUST BE DIFFERENT FROM OTHER READER)
SET UNUSED READER ADDRESS TO "0"

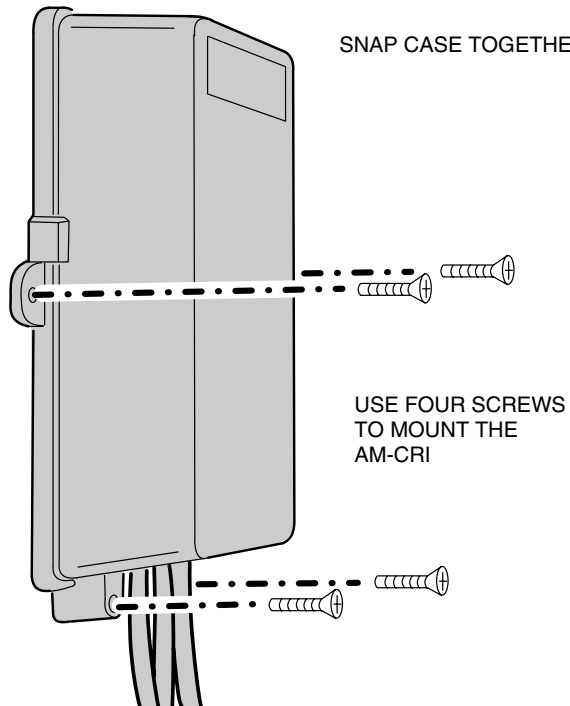
NOTE:
WHEN USING ONE READER WITHOUT A "HOLD" LINE, CONNECT IT TO READER "B" TERMINALS AND SET READER "A" DEVICE ADDRESS SELECTOR TO "0"

7. CONNECT AM-CRI TO AM/II



NOTE: AM/II MUST BE TURNED OFF BEFORE MAKING ANY WIRING CONNECTIONS

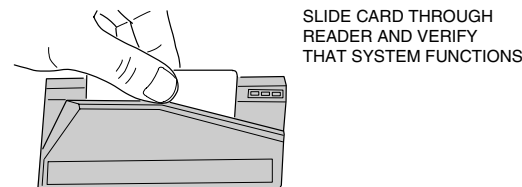
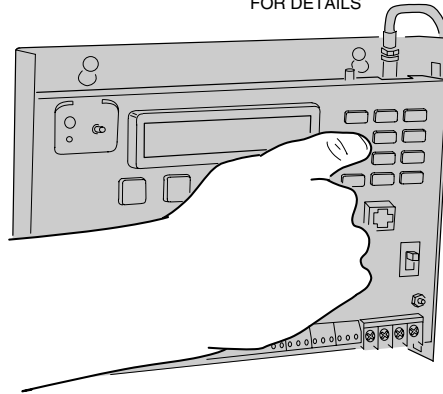
8. CLOSE CASE AND MOUNT UNIT



9. PROGRAM AND TEST

PROGRAM THE AM/II TO CONFIGURE THE READER(S) AND SET THE BLOCK CARD CODES

REFER TO THE AM/II PROGRAMMING INSTRUCTIONS FOR DETAILS



LINEAR LIMITED WARRANTY

This Linear product is warranted against defects in material and workmanship for twelve (12) months. The Warranty Expiration Date is labeled on the product. **This warranty extends only to wholesale customers** who buy direct from Linear or through Linear's normal distribution channels. **Linear does not warrant this product to consumers.** Consumers should inquire from their selling dealer as to the nature of the dealer's warranty, if any. **There are no obligations or liabilities on the part of Linear Corporation for consequential damages arising out of or in connection with use or performance of this product or other indirect damages with respect to loss of property, revenue, or profit, or cost of removal, installation, or reinstallation.** All implied warranties, including implied warranties for merchantability and implied warranties for fitness, are valid only until Warranty Expiration Date as labeled on the product. **This Linear Corporation Warranty is in lieu of all other warranties express or implied.** All products returned for warranty service require a Return Product Authorization Number (RPA#). Contact Linear Technical Services at 1-800-421-1587 for an RPA# and other important details.